

## VK003071

### Connection technology • Cable sockets / connectors for self-assembly

Cable socket, Angular, Suitable for self-assembly, Soldering connection, Ø3.5-5mm, 4A, 30V, -40-85°C, M8 Female (socket) 4pin, IP67, Brass



ipf cable sockets are used primarily for establishing the electrical connection of sensors. Their features are characterized by rugged design, the highest protection classes (IP67 | IP68 | IP69K) and, if desired, with 360° shielding. With the features: bus-ready, suitable for use with drag chains and robots, resistance to oil and chemicals, resistance to welding sparks, their resistance to cleaning agents or high-pressure and steam-jet cleaning, the expanded temperature range of up to +230°C, the rapid interconnection technology and special data transmission properties, the cable sockets meet all requirements in automation technology.

#### Electrical features

Type of plug-in contact, A connection	Female (socket)
Type of A electrical connection	M8
Type of B electrical connection	Soldering connection
Number of pins of A connection	4
Ampacity	4 A
Operating voltage (AC 50Hz)	30 V
Operating voltage (DC)	30 V

#### Mechanical features

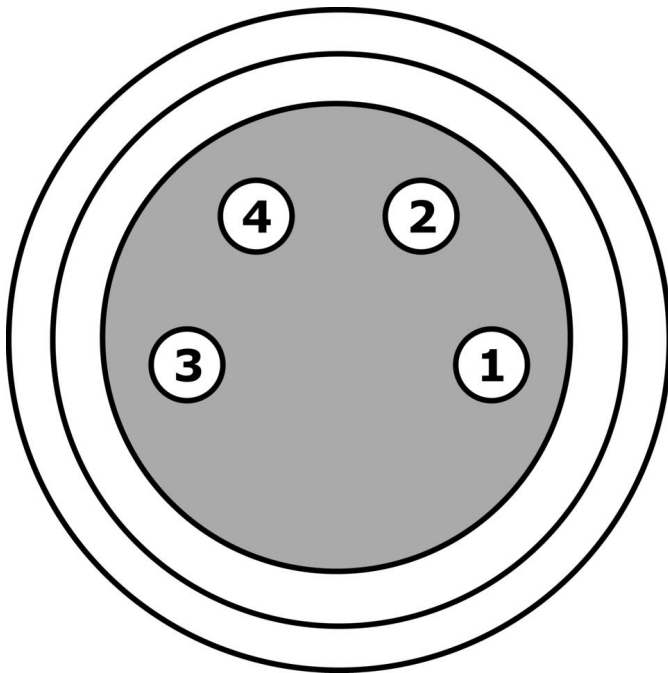
Wire cross section	0,25 mm <sup>2</sup>
Cable infeed	angular
Cable infeed of A connection	angular
Degree of protection (IP)	IP67
Contact coating material	Gold
Housing material	Brass
Contact body material	CuSn
Permitted cable diameter	3,5 - 5 mm
Material of the screw fitting	Brass
Ambient temperature	-40 - 85 °C

#### Classification

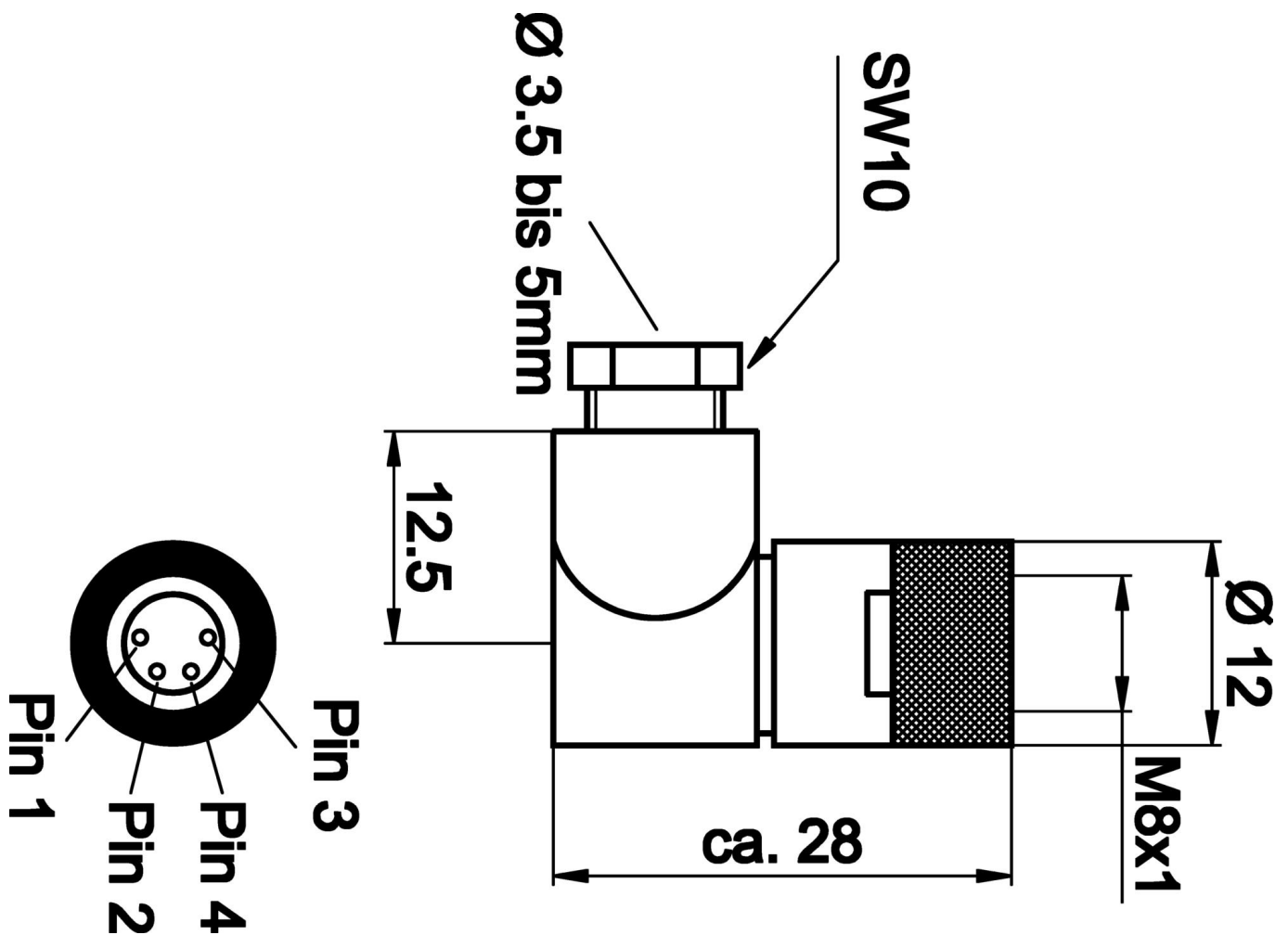
ETIM 8	EC001855 Assembled sensor-actuator cable
--------	--

**More**

IPF Product Group	852 cable sockets / connectors (self-assembly)
packaging dimensions	120 x 100 x 11 mm
gross weight	10 g
Customs tariff number	85369010
WEEE number	40951076
OzDS-compliant	Yes
POP-compliant	Yes
Reach-compliant	Yes
RoHS-compliant	Yes

**Connection**

Dimensional drawing



**Installation**

Mounting / installation may only be carried out by a qualified electrician!



**Disposal**

WEEE number according to § 6 para. 3  
ElektroG: 40951076

**Safety warnings**

- / Before initial operation, please make sure to follow all safety instructions that may be provided in the product information.
- / Never use these devices in applications where the safety of a person depends on their functionality.