

VK003170

Connection technology • Cable sockets / connectors for self-assembly

Cable socket, Angular, Suitable for self-assembly, Screw connection, Ø5mm, 4A, 60V, -40-85°C, M8 Female (socket) 3pin, IP67, Polyamide PA



ipf cable sockets are used primarily for establishing the electrical connection of sensors. Their features are characterized by rugged design, the highest protection classes (IP67 | IP68 | IP69K) and, if desired, with 360° shielding. With the features: bus-ready, suitable for use with drag chains and robots, resistance to oil and chemicals, resistance to welding sparks, their resistance to cleaning agents or high-pressure and steam-jet cleaning, the expanded temperature range of up to +230°C, the rapid interconnection technology and special data transmission properties, the cable sockets meet all requirements in automation technology.

Electrical features

| | |
|---------------------------------------|------------------|
| Type of plug-in contact, A connection | Female (socket) |
| Type of A electrical connection | M8 |
| Type of B electrical connection | Screw connection |
| Number of pins of A connection | 3 |
| Ampacity | 4 A |
| Operating voltage (AC 50Hz) | 60 V |
| Operating voltage (DC) | 60 V |

Mechanical features

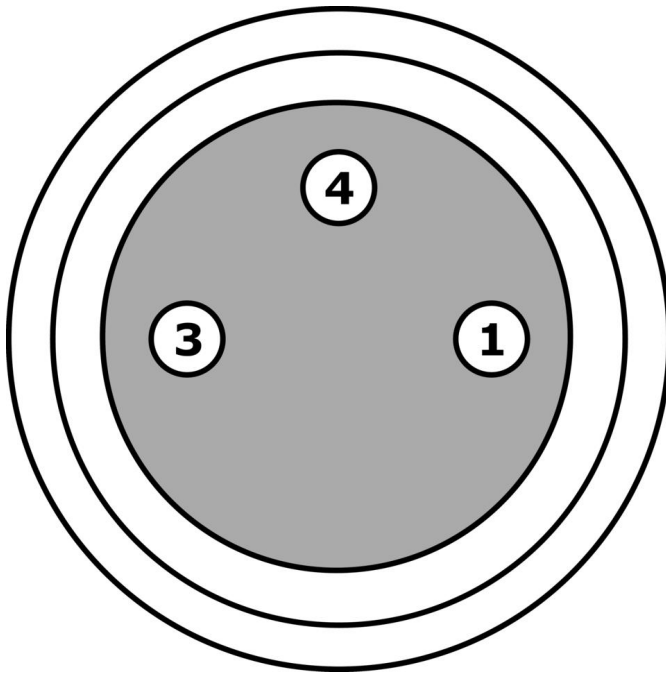
| | |
|-------------------------------|---------------------|
| Wire cross section | 0,5 mm ² |
| Cable infeed | angular |
| Cable infeed of A connection | angular |
| Degree of protection (IP) | IP67 |
| Contact coating material | Gold |
| Housing material | Polyamide PA |
| Contact body material | CuSn |
| Permitted cable diameter | 5 mm |
| Material of the screw fitting | Brass |
| Ambient temperature | -40 - 85 °C |

Classification

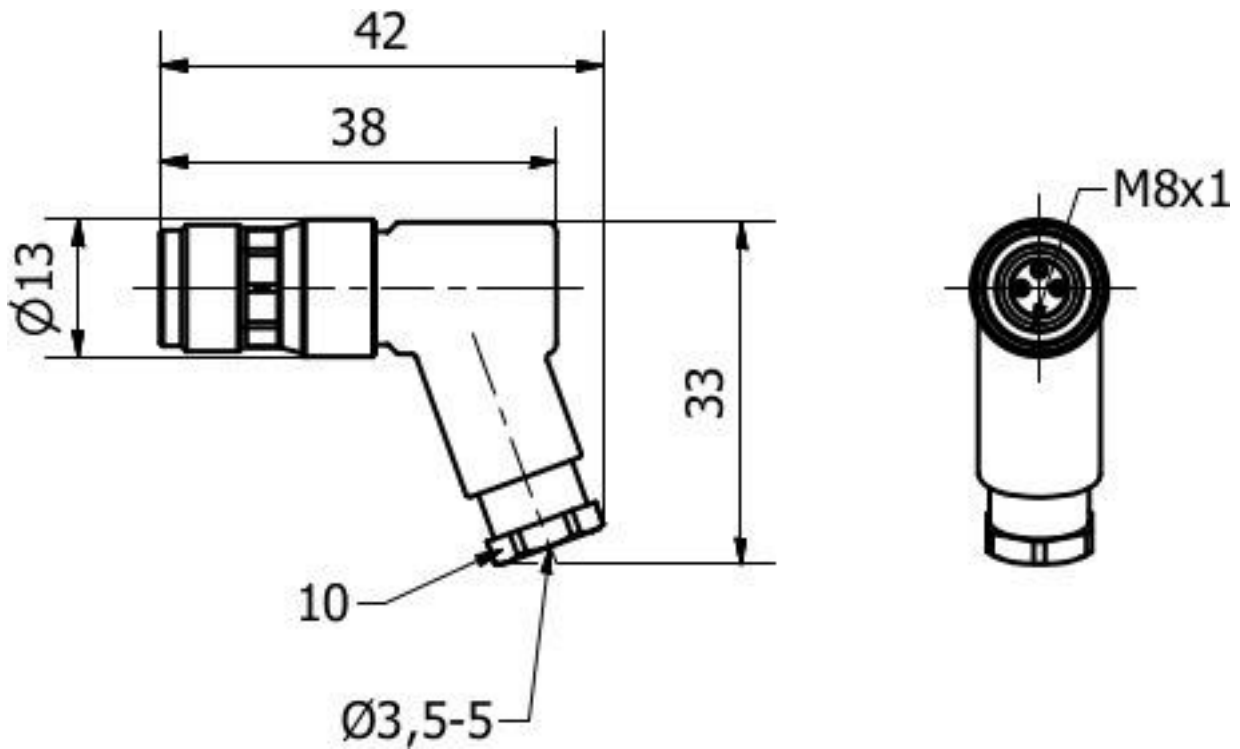
| | |
|--------|--|
| ETIM 8 | EC001855 Assembled sensor-actuator cable |
|--------|--|

More

| | |
|-----------------------|--|
| IPF Product Group | 852 cable sockets / connectors (self-assembly) |
| packaging dimensions | 120 x 100 x 13 mm |
| gross weight | 13 g |
| Customs tariff number | 85369010 |
| WEEE number | 40951076 |
| Reach-compliant | Yes |
| RoHS-compliant | Yes |

Connection

Dimensional drawing



Installation

Mounting / installation may only be carried out by a qualified electrician!



Disposal

WEEE number according to § 6 para. 3
ElektroG: 40951076

Safety warnings

- / Before initial operation, please make sure to follow all safety instructions that may be provided in the product information.
- / Never use these devices in applications where the safety of a person depends on their functionality.