

## VK003520

### Connection technology • Cable sockets / connectors for self-assembly

Cable socket, Angular, Suitable for self-assembly, Screw connection, Ø4-8mm, 7.5A, 250V, -30-130°C, M12 Female (socket) 4pin, IP67, PA 6 (synthetic)



ipf cable sockets are used primarily for establishing the electrical connection of sensors. Their features are characterized by rugged design, the highest protection classes (IP67 | IP68 | IP69K) and, if desired, with 360° shielding. With the features: bus-ready, suitable for use with drag chains and robots, resistance to oil and chemicals, resistance to welding sparks, their resistance to cleaning agents or high-pressure and steam-jet cleaning, the expanded temperature range of up to +230°C, the rapid interconnection technology and special data transmission properties, the cable sockets meet all requirements in automation technology.

#### Electrical features

Type of plug-in contact, A connection	Female (socket)
Type of A electrical connection	M12
Type of B electrical connection	Screw connection
Number of pins of A connection	4
Ampacity	7.5 A
Operating voltage (AC 50Hz)	250 V
Operating voltage (DC)	250 V

#### Mechanical features

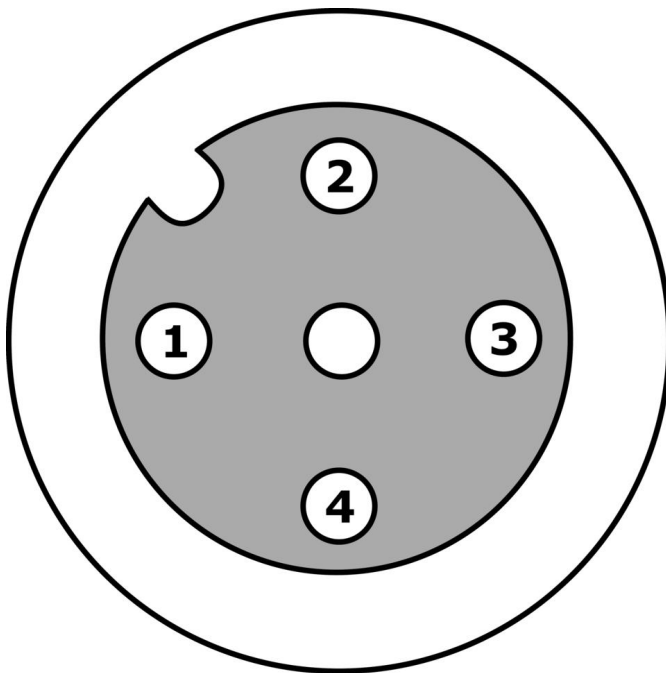
Wire cross section	1,5 mm <sup>2</sup>
Cable infeed	angular
Cable infeed of A connection	angular
Coding of connection A	A
Degree of protection (IP)	IP67
Housing material	PA 6 (synthetic)
Contact body material	Plastic (PA 6)
Permitted cable diameter	4 - 8 mm
Material of the screw fitting	Nickel-plated (n-pltd) brass
Contact material	CuZn, gold-plated
Ambient temperature	-30 - 130 °C

#### Classification

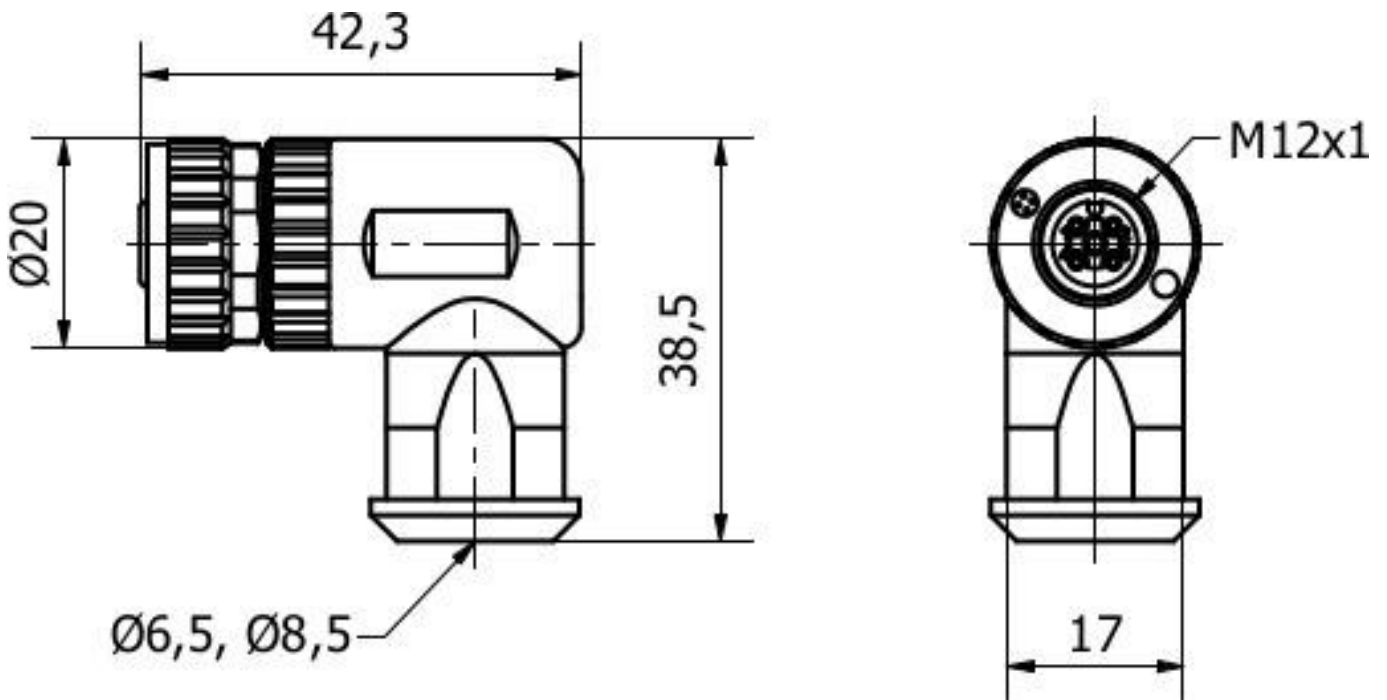
ETIM 8	EC001855 Assembled sensor-actuator cable
--------	--

**More**

IPF Product Group	853 cable sockets / connectors (high temperature)
packaging dimensions	120 x 100 x 30 mm
gross weight	30 g
Customs tariff number	85369010
WEEE number	40951076
Reach-compliant	Yes
RoHS-compliant	Yes

**Connection**

**Dimensional drawing**



**Installation**

Mounting / installation may only be carried out by a qualified electrician!



**Disposal**

WEEE number according to § 6 para. 3  
ElektroG: 40951076

**Safety warnings**

- / Before initial operation, please make sure to follow all safety instructions that may be provided in the product information.
- / Never use these devices in applications where the safety of a person depends on their functionality.