

VK003828

Connection technology • Cable sockets / connectors for self-assembly

Cable connector, Straight, Suitable for self-assembly, Screw connection, Ø3-6.5mm, 4A, 240V, -25-90°C, M12 Male (connector) 4pin, IP67, PBT



ipf cable sockets are used primarily for establishing the electrical connection of sensors. Their features are characterized by rugged design, the highest protection classes (IP67 | IP68 | IP69K) and, if desired, with 360° shielding. With the features: bus-ready, suitable for use with drag chains and robots, resistance to oil and chemicals, resistance to welding sparks, their resistance to cleaning agents or high-pressure and steam-jet cleaning, the expanded temperature range of up to +230°C, the rapid interconnection technology and special data transmission properties, the cable sockets meet all requirements in automation technology.

Electrical features

Type of plug-in contact, A connection	Male (connector)
Type of A electrical connection	M12
Type of B electrical connection	Screw connection
Number of pins of A connection	4
Ampacity	4 A
Operating voltage (AC 50Hz)	240 V
Operating voltage (DC)	240 V

Mechanical features

Wire cross section	0,75 mm ²
Cable infeed	straight
Cable infeed of A connection	straight
Coding of connection A	A
Degree of protection (IP)	IP67
Housing material	PBT
Contact body material	Brass
Permitted cable diameter	3 - 6,5 mm
Material of the screw fitting	Stainless steel
Ambient temperature	-25 - 90 °C

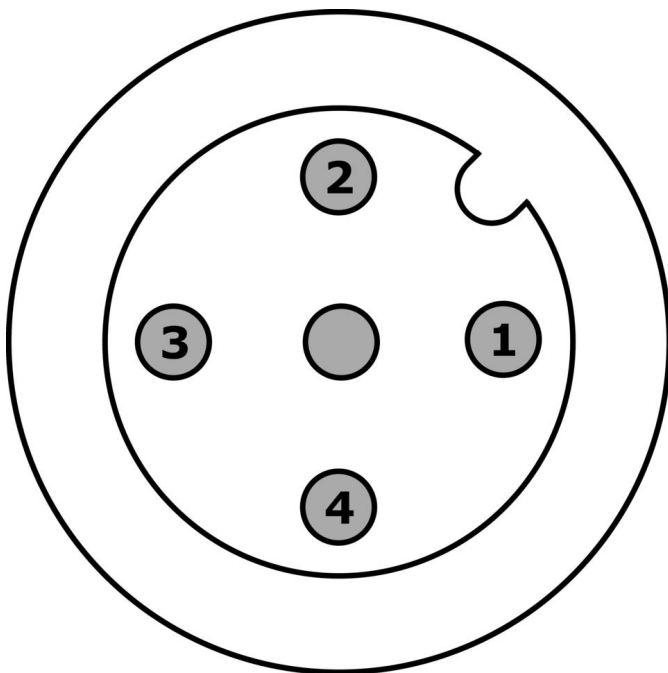
Classification

ETIM 8	EC001855 Assembled sensor-actuator cable
--------	--

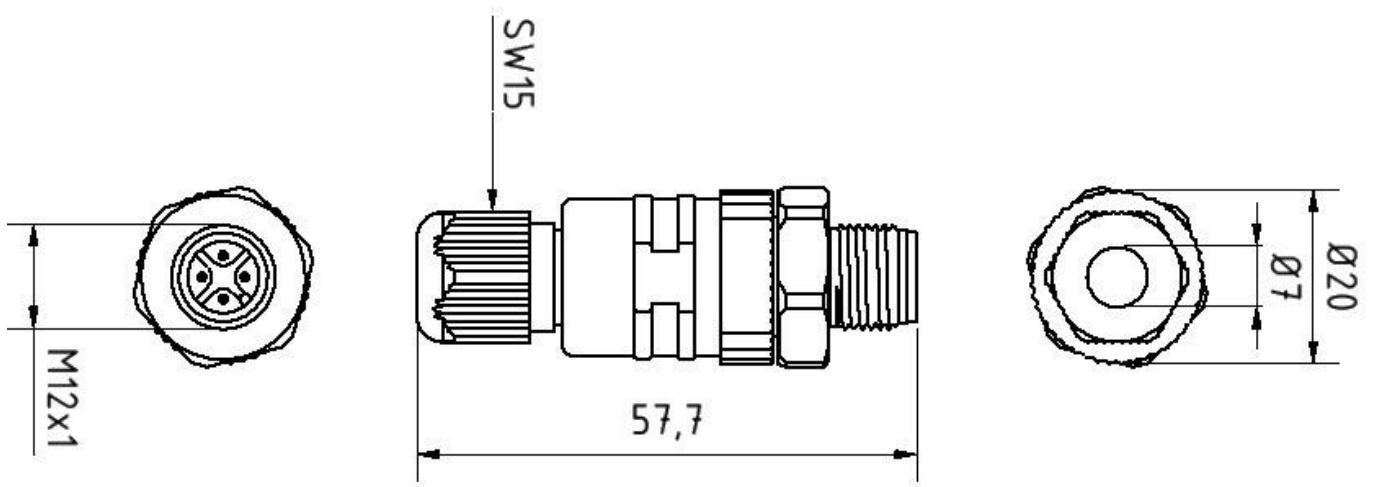
More

IPF Product Group	852 cable sockets / connectors (self-assembly)
packaging dimensions	120 x 100 x 20 mm
gross weight	23 g
Customs tariff number	85369010
WEEE number	40951076
OzDS-compliant	Yes
POP-compliant	Yes
Reach-compliant	Yes
RoHS-compliant	Yes

Connection



Dimensional drawing



**Installation**

Mounting / installation may only be carried out by a qualified electrician!

**Disposal**

WEEE number according to § 6 para. 3
ElektroG: 40951076

Safety warnings

- / Before initial operation, please make sure to follow all safety instructions that may be provided in the product information.
- / Never use these devices in applications where the safety of a person depends on their functionality.