

VK003C20

Connection technology • Cable sockets / connectors for self-assembly

Cable socket, angular, self-assembly, screw connection, Ø4-8mm, 4A, 240V, -25-90°C, M12 socket 4-pin, IP67



ipf cable sockets are used primarily for establishing the electrical connection of sensors. Their features are characterized by rugged design, the highest protection classes (IP67 | IP68 | IP69K) and, if desired, with 360° shielding. With the features: bus-ready, suitable for use with drag chains and robots, resistance to oil and chemicals, resistance to welding sparks, their resistance to cleaning agents or high-pressure and steam-jet cleaning, the expanded temperature range of up to +230°C, the rapid interconnection technology and special data transmission properties, the cable sockets meet all requirements in automation technology.

Electrical features

Type of plug-in contact, A connection	Female (socket)
Type of A electrical connection	M12
Type of B electrical connection	Screw connection
Number of pins of A connection	4
Ampacity	4 A
Operating voltage (AC 50Hz)	240 V
Operating voltage (DC)	240 V

Mechanical features

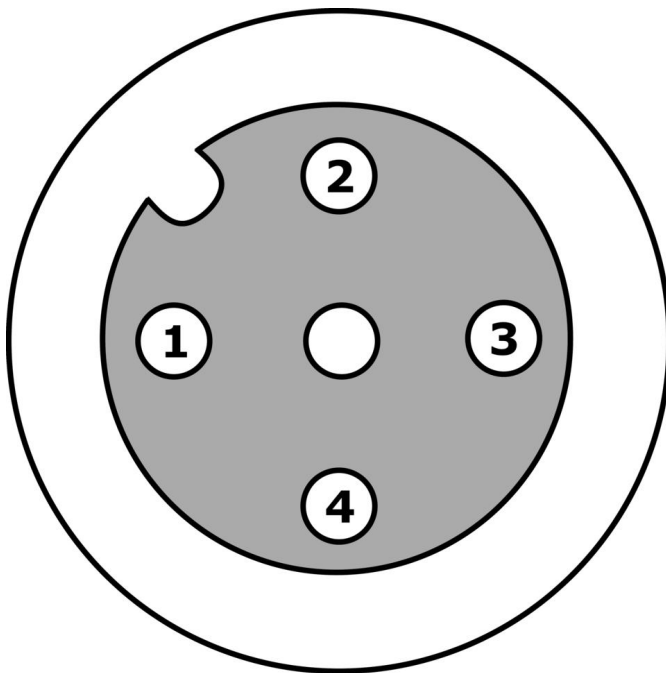
Wire cross section	0,75 mm ²
Cable infeed	angular
Cable infeed of A connection	angular
Coding of connection A	A
Degree of protection (IP)	IP67
Contact coating material	Gold
Contact body material	Brass
Permitted cable diameter	4 - 8 mm
Material of the screw fitting	Brass
Ambient temperature	-25 - 90 °C

Classification

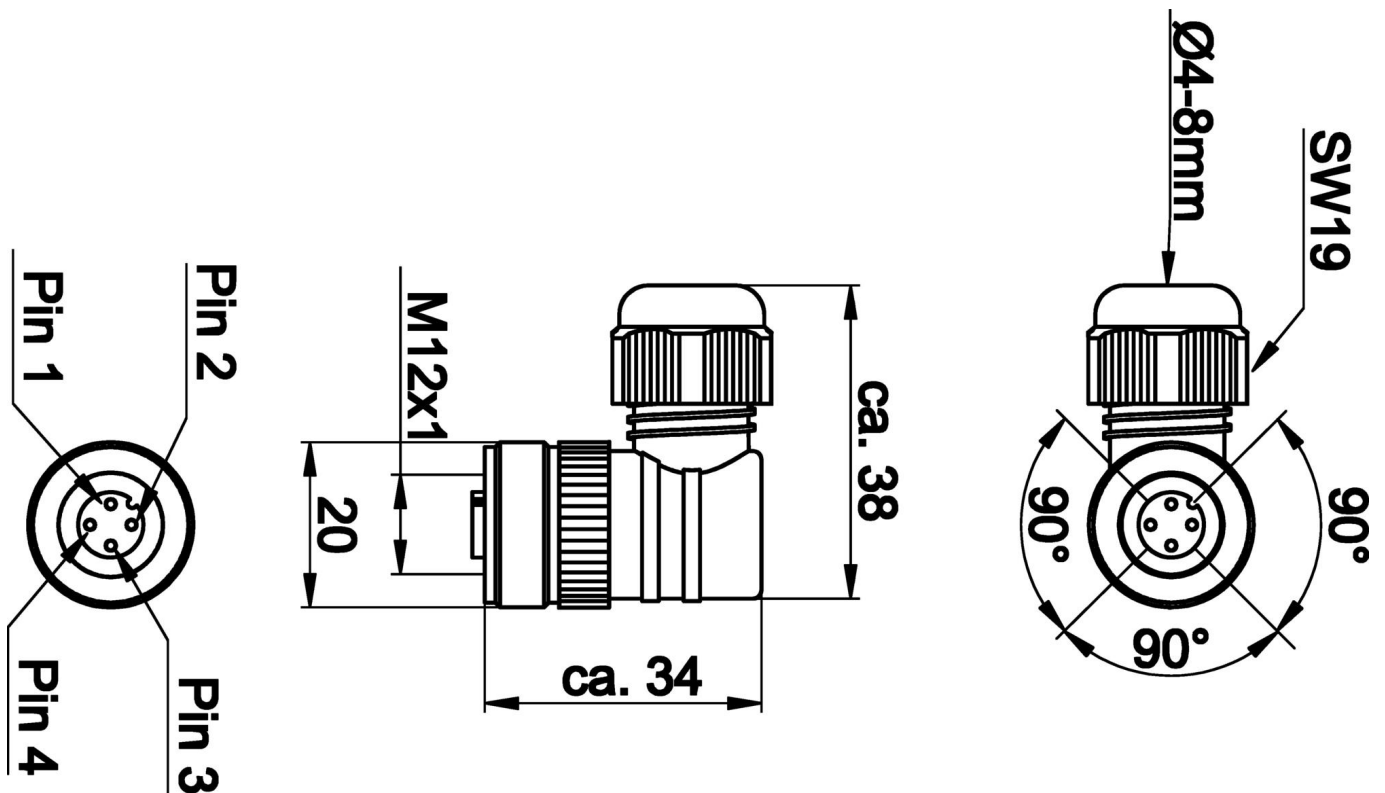
ETIM 8	EC001855 Assembled sensor-actuator cable
--------	------------------------------------------

More

IPF Product Group	852 cable sockets / connectors (self-assembly)
packaging dimensions	120 x 100 x 20 mm
gross weight	30 g
Customs tariff number	85369010
WEEE number	40951076
Reach-compliant	Yes
RoHS-compliant	Yes

Connection

Dimensional drawing



Installation

Mounting / installation may only be carried out by a qualified electrician!



Disposal

WEEE number according to § 6 para. 3
ElektroG: 40951076

Safety warnings

- / Before initial operation, please make sure to follow all safety instructions that may be provided in the product information.
- / Never use these devices in applications where the safety of a person depends on their functionality.