

VK003S74

Connection technology • Cable sockets / connectors for self-assembly

Cable socket, Straight, Suitable for self-assembly, Quick connection, Ø4-5.1mm, 4A, 32V, -25-85°C, M8 Female (socket) 3pin, IP67



ipf cable sockets are used primarily for establishing the electrical connection of sensors. Their features are characterized by rugged design, the highest protection classes (IP67 | IP68 | IP69K) and, if desired, with 360° shielding. With the features: bus-ready, suitable for use with drag chains and robots, resistance to oil and chemicals, resistance to welding sparks, their resistance to cleaning agents or high-pressure and steam-jet cleaning, the expanded temperature range of up to +230°C, the rapid interconnection technology and special data transmission properties, the cable sockets meet all requirements in automation technology.

Electrical features

Type of plug-in contact, A connection	Female (socket)
Type of A electrical connection	M8
Type of B electrical connection	Quick connection
Number of pins of A connection	3
Ampacity	4 A
Operating voltage (AC 50Hz)	32 V
Operating voltage (DC)	32 V

Mechanical features

Wire cross section	0,14 - 0,34 mm ²
Cable infeed	straight
Degree of protection (IP)	IP67
Housing material	Polyamide PA
Insulating body material	Plastic (PA)
Permitted cable diameter	4 - 5,1 mm
Material of the screw fitting	Zinc diecast, nickel-plated (n-pltd)
Contact material	CuSn, gold-plated
Ambient temperature	-25 - 85 °C

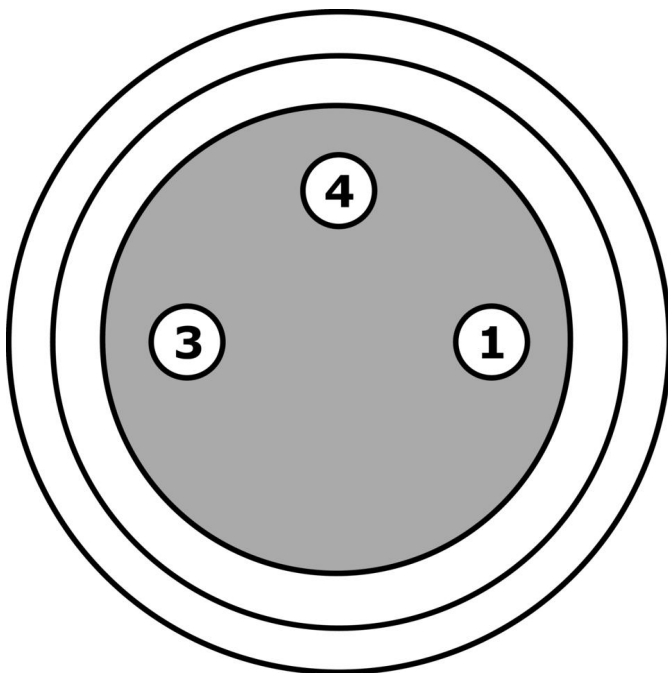
Classification

ETIM 8	EC001855 Assembled sensor-actuator cable
--------	------------------------------------------

More

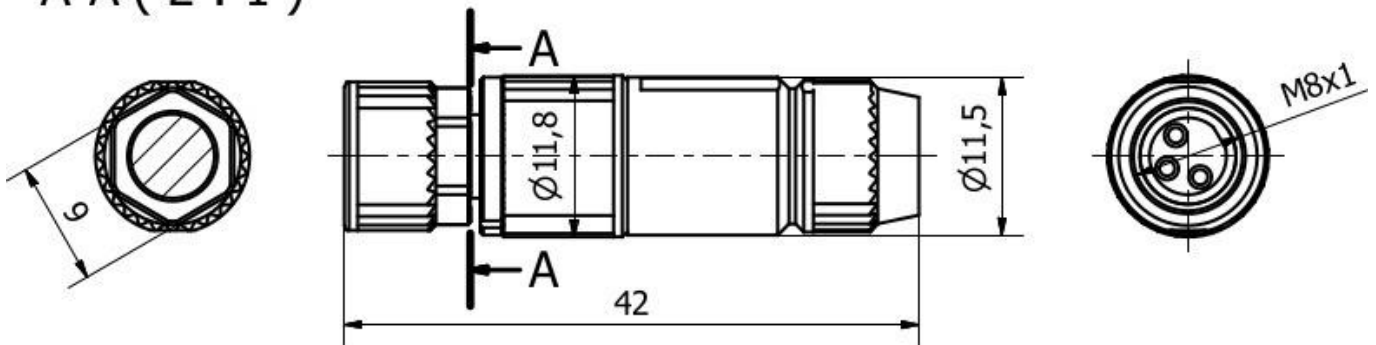
IPF Product Group	852 cable sockets / connectors (self-assembly)
packaging dimensions	180 x 165 x 19 mm
gross weight	20 g
Customs tariff number	85369010
WEEE number	40951076
OzDS-compliant	Yes
POP-compliant	Yes
Reach-compliant	Yes
RoHS-compliant	Yes

Connection



Dimensional drawing

A-A (2 : 1)



Installation

Mounting / installation may only be carried out by a qualified electrician!



Disposal

WEEE number according to § 6 para. 3
ElektroG: 40951076

Safety warnings

- / Before initial operation, please make sure to follow all safety instructions that may be provided in the product information.
- / Never use these devices in applications where the safety of a person depends on their functionality.