

VK060F71

Connection technology • Cable sockets / connectors pre-assembled on two sides

Connection cable, 0.6m, M8 socket 4-pin angular, M8 connector 4-pin straight, 4-core, PUR (polyurethane), suitable for trailing chain and torsion resistant, oils and cooling lubricants, welding area, silicone-free



This connection cable has pre-wired connections on both sides. It can be used to cost-effectively integrate end devices with a plug connection via a distribution terminal or a logic module.

Electrical features

Type of plug-in contact, A connection	Female (socket)
Type of plug-in contact, B connection	Male (connector)
Type of A electrical connection	M8
Type of B electrical connection	M8
Number of pins of A connection	4
Number of pins of B connection	4
Operating voltage (AC 50Hz)	60 V
Operating voltage (DC)	60 V

Mechanical features

Number of cores	4
Wire assembly	42 x 0.1mm
Cable sheath color	black
Cable length	0.6 m
Cable infeed of A connection	angular
Cable infeed of B connection	straight
Maximum tightening torque of connection A	0.6 Nm
Maximum tightening torque of connection B	0.6 Nm
bending cycles	5 million cycles
Torsion cycles	+/-360°/m, ≥ 2 million cycles
Material of cable sheath	Plastic (PUR)
Suitable for trailing chain	Yes
Material of the screw fitting	Brass

Optical features

Degree of soiling	3
-------------------	---

Other features

Flame retardant	in accordance with EN 60332-2-2
Halogen-free	Yes
Hydrolysis-proof	Yes
Free of LABS	Yes
Ozone and UV-resistant	Yes
Suitable for trailing chain and torsion resistant	Yes
Welding area	Yes
Silicone-free	Yes
Oil and cooling lubricants	Yes

Classification

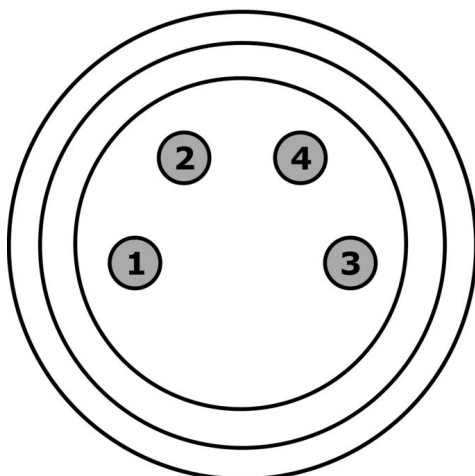
ETIM 8	EC001855 Assembled sensor-actuator cable
--------	--

More

IPF Product Group	851 cable sockets / connectors (both side ready made)
packaging dimensions	240 x 160 x 15 mm
gross weight	30 g
Customs tariff number	85444290
WEEE number	40951076
OzDS-compliant	Yes
POP-compliant	Yes
Reach-compliant	Yes
RoHS-compliant	Yes

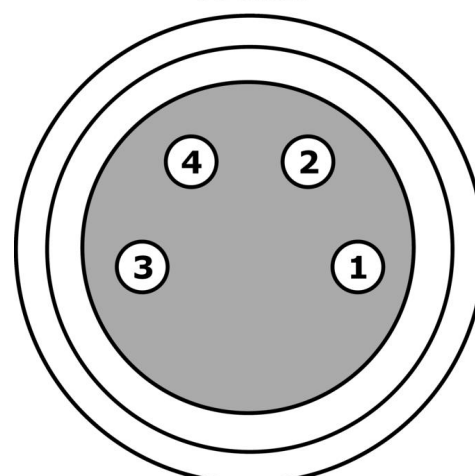
Connection

connector



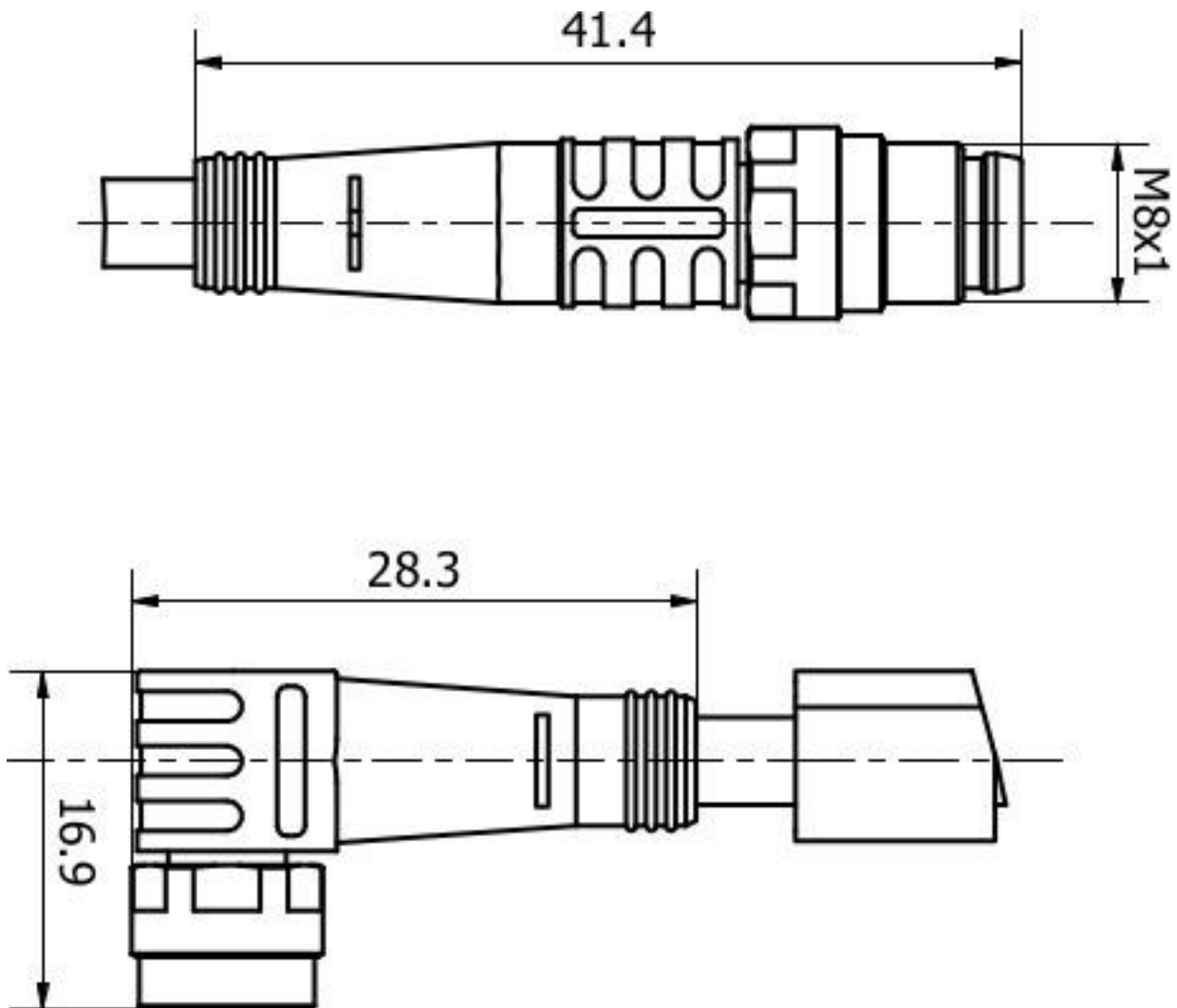
- 1** brown
- 2** white
- 3** blue
- 4** black

socket



- 1** brown
- 2** white
- 3** blue
- 4** black

Dimensional drawing



Extract accessories program

AY000141



Plastic sheath, Ø17mm, Inner diameter 10mm, -40-250°C, Glass fiber with silicone rubber, Short-term resistance to weld spatter 1200°C, Tensile strength 400N, Flexible, Flame retardant, yard good

AV98F001



AV98F002



Tool, wrench insert for torque wrench, SW13

AV000142



accessories cable socket, Mounting clip, 8.5mm, PPO, Packaging unit 5, Accessories for Cable socket/connector M8

AV000117



Labeling material, Label, 2, 1x30x4mm, Plastic PC, 34 identification labels

AV000140



You can find further accessories on our homepage

**Installation**

Mounting / installation may only be carried out by a qualified electrician!

**Disposal**

WEEE number according to § 6 para. 3
ElektroG: 40951076

Safety warnings

- / Before initial operation, please make sure to follow all safety instructions that may be provided in the product information.
- / Never use these devices in applications where the safety of a person depends on their functionality.