

VK150F72

Connection technology • Cable sockets / connectors pre-assembled on two sides

Connection cable, 1.5m, M8 socket 3-pin angular, M8 connector 3-pin straight, 3x0.34mm², PUR (polyurethane), IP67, LED, suitable for trailing chain and torsion resistant, oils and cooling lubricants, welding area, silicone-free



This connection cable has pre-wired connections on both sides. It can be used to cost-effectively integrate end devices with a plug connection via a distribution terminal or a logic module.

Electrical features

Display	LED display
Type of plug-in contact, A connection	Female (socket)
Type of plug-in contact, B connection	Male (connector)
Type of A electrical connection	M8
Type of B electrical connection	M8
Number of pins of A connection	3
Number of pins of B connection	3
Operating voltage (DC)	30 V

Mechanical features

Number of cores	3
Wire assembly	42 x 0.1mm
Conductor cross-section	0.34 mm ²
Cable length	1.5 m
Cable infeed of A connection	angular
Cable infeed of B connection	straight
Maximum tightening torque of connection A	0.6 Nm
Maximum tightening torque of connection B	0.6 Nm
bending cycles	5 million cycles
Degree of protection (IP)	IP67
Torsion cycles	+/-360°/m, ≥ 2 million cycles
Material of cable sheath	Plastic (PUR)
Perm. ambient temperature of cable, fixed cable	-25 - 80 °C
Suitable for trailing chain	Yes
Material of the screw fitting	Brass

Other features

Flame retardant	in accordance with EN 60332-2-2
Halogen-free	Yes
Hydrolysis-proof	Yes
Free of LABS	Yes
Ozone and UV-resistant	Yes
Suitable for trailing chain and torsion resistant	Yes
Welding area	Yes
Silicone-free	Yes
Oil and cooling lubricants	Yes

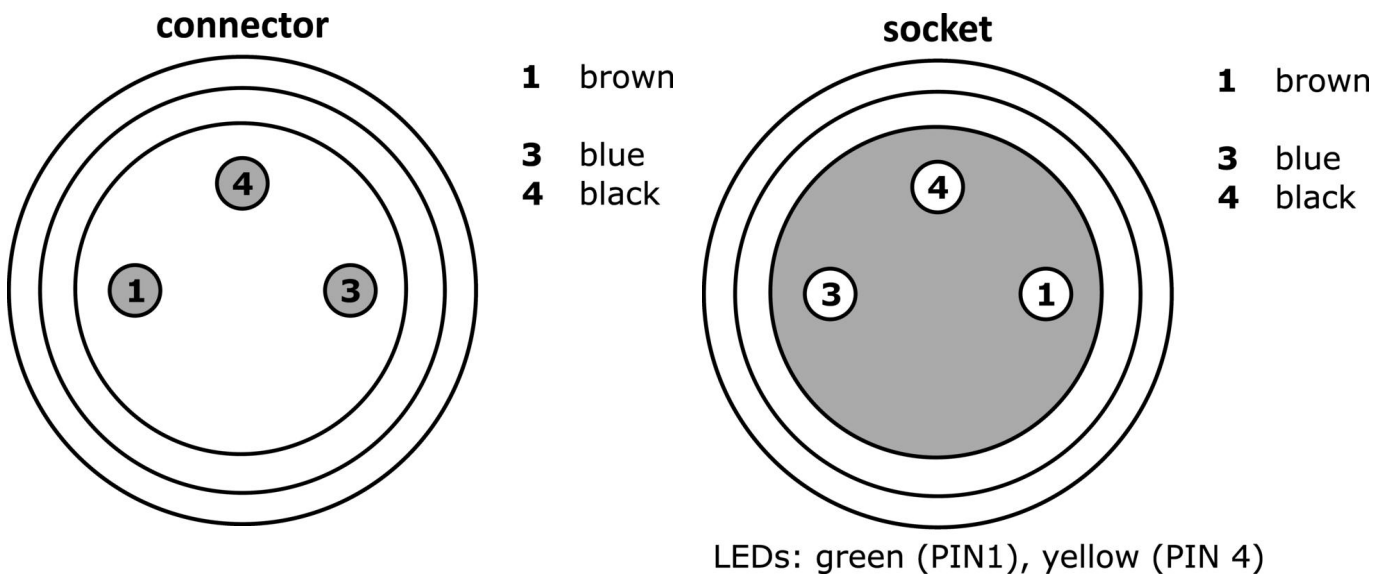
Classification

ETIM 8	EC001855 Assembled sensor-actuator cable
--------	--

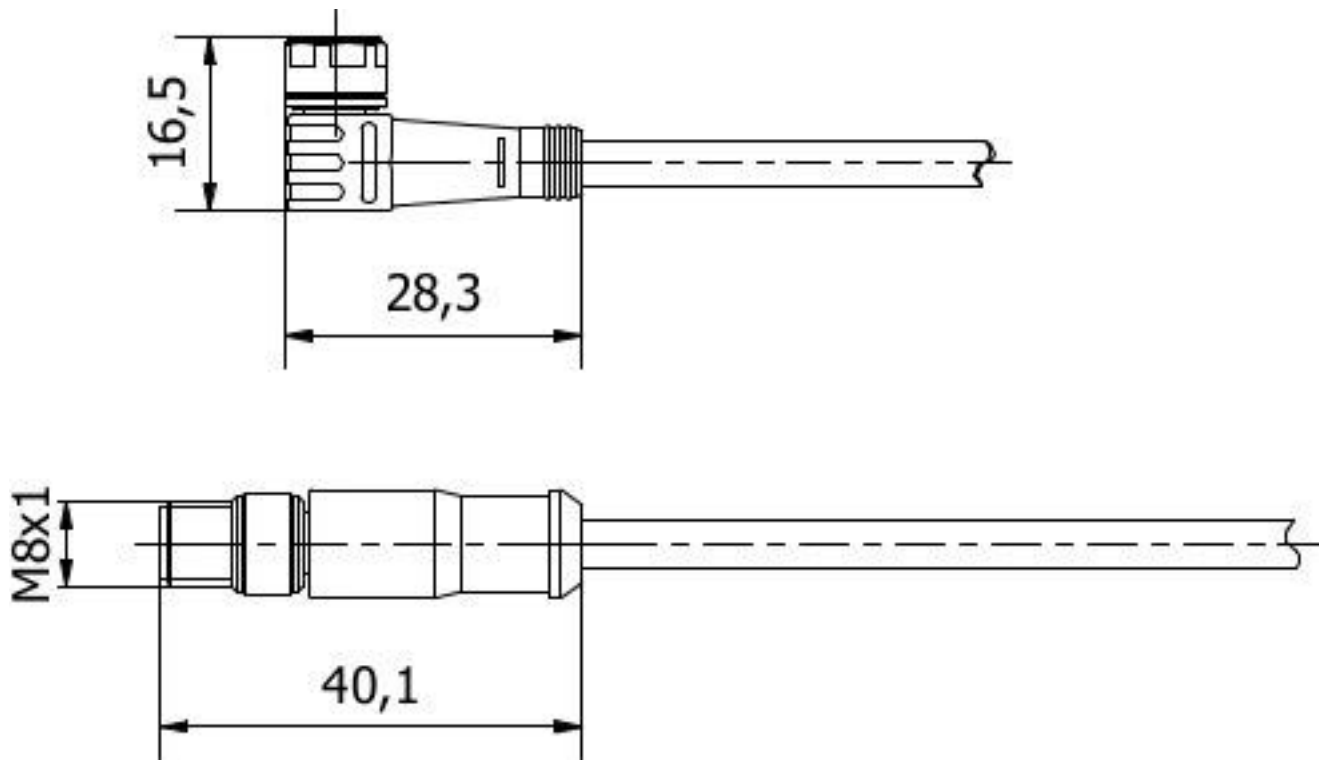
More

IPF Product Group	851 cable sockets / connectors (both side ready made)
packaging dimensions	120 x 160 x 15 mm
gross weight	50 g
Customs tariff number	85444290
WEEE number	40951076
OzDS-compliant	Yes
POP-compliant	Yes
Reach-compliant	Yes
RoHS-compliant	Yes

Connection



Dimensional drawing



Extract accessories program

AV000142



accessories cable socket,
Mounting clip, 8.5mm, PPO,
Packaging unit 5, Accessories for
Cable socket/connector M8

AV98F001



AV98F002



Tool, wrench insert for torque
wrench, SW13

AV000117



Labeling material, Label, 2,
1x30x4mm, Plastic PC, 34
identification labels

AY000141



Plastic sheath, Ø17mm, Inner
diameter 10mm, -40-250°C, Glass
fiber with silicone rubber, Short-
term resistance to weld spatter
1200°C, Tensile strength 400N,
Flexible, Flame retardant, yard
good

AV000140



You can find further accessories on our homepage



Installation

Mounting / installation may only be carried
out by a qualified electrician!



Disposal

WEEE number according to § 6 para. 3
ElektroG: 40951076

Safety warnings

/ Before initial operation, please make sure to follow all safety instructions that may be provided in the product information.

/ Never use these devices in applications where the safety of a person depends on their functionality.