

VK200361

Connection technology • Cable sockets / connectors pre-assembled on one side

Connection cable, 2m, M5 Female (socket) 4pin Angular, Free conductor end, 4x0.14mm², PUR (Polyurethane), Ø3.5mm, 125V, IP67, Oil and cooling lubricants



ipf cable sockets are used primarily for establishing the electrical connection of sensors. Their features are characterized by rugged design, the highest protection classes (IP67 | IP68 | IP69K) and, if desired, with 360° shielding. With the features: bus-ready, suitable for use with drag chains and robots, resistance to oil and chemicals, resistance to welding sparks, their resistance to cleaning agents or high-pressure and steam-jet cleaning, the expanded temperature range of up to +230°C, the rapid interconnection technology and special data transmission properties, the cable sockets meet all requirements in automation technology.

Electrical features

Type of plug-in contact, A connection	Female (socket)
Type of A electrical connection	M5
Type of B electrical connection	Free conductor end
Number of pins of A connection	4
Operating voltage (AC 50Hz)	125 V
Operating voltage (DC)	125 V

Mechanical features

Number of cores	4
Conductor cross-section	0.14 mm ²
Cable length	2 m
Cable infeed of A connection	angular
Degree of protection (IP)	IP67
Material of cable sheath	Plastic (PUR)
Perm. ambient temperature of cable, fixed cable	-25 - 80 °C
Suitable for trailing chain	Yes
Material of the screw fitting	Brass
Line diameter	3.5 mm

Other features

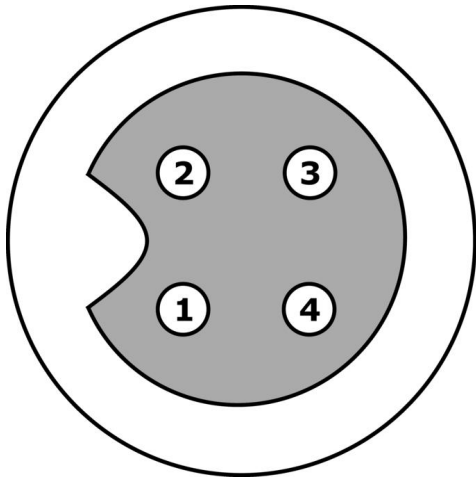
Flame retardant	No
Halogen-free	Yes
Oil and cooling lubricants	Yes

Classification

ETIM 8	EC001855 Assembled sensor-actuator cable
--------	--

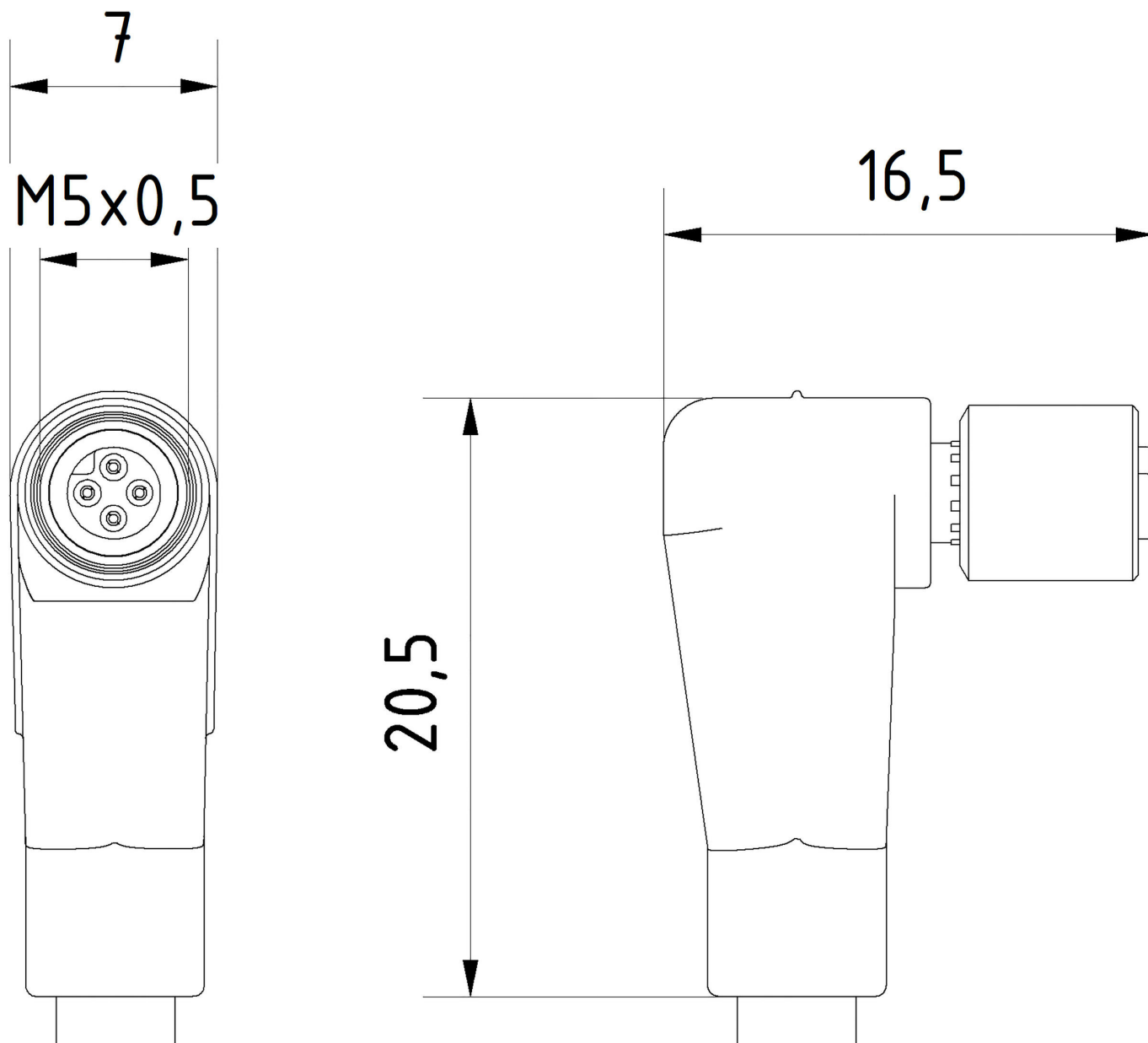
More

IPF Product Group	856 cable socket / cable connector (diverse)
packaging dimensions	160 x 160 x 15 mm
gross weight	40 g
Customs tariff number	85444290
WEEE number	40951076
OzDS-compliant	Yes
POP-compliant	Yes
Reach-compliant	Yes
RoHS-compliant	Yes

Connection

- 1** brown
- 2** white
- 3** blue
- 4** black

Dimensional drawing



Extract accessories program**AV000116**

Labeling material, Label sleeve,
30mm long, Cable diameter 3.7-6.
2mm, Plastic, Transparent

AY000141

Plastic sheath, Ø17mm, Inner
diameter 10mm, -40-250°C, Glass
fiber with silicone rubber, Short-
term resistance to weld spatter
1200°C, Tensile strength 400N,
Flexible, Flame retardant, yard
good

AV98F001**AV98F002**

Tool, wrench insert for torque
wrench, SW13

AV000140

You can find further accessories on our homepage

**Installation**

Mounting / installation may only be carried
out by a qualified electrician!

**Disposal**

WEEE number according to § 6 para. 3
ElektroG: 40951076

Safety warnings

/ Before initial operation, please make sure to follow all safety instructions that may be provided in the product information.

/ Never use these devices in applications where the safety of a person depends on their functionality.