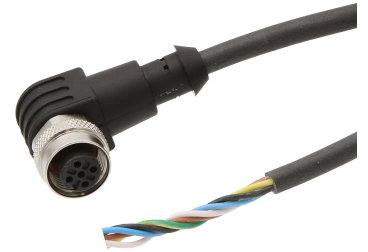


VK200621

Connection technology • Cable sockets / connectors pre-assembled on one side

Connection cable, 2m, M12 socket 5-pin angular, free cable end, 5x0.34mm², PUR (polyurethane), Ø5.4mm, 60V, -25-90°C, IP67, suitable for trailing chain and torsion resistant, oils and cooling lubricants, welding area, silicone-free



ipf cable sockets are mainly used for the electrical connection of sensors. Their properties are characterized by the robust version, in the highest degrees of protection (IP67 | IP68 | IP69K) and with 360° shielding on request. With the features: bus-compatible, drag chain and robot-compatible, oil and chemical-resistant, welding spark-resistant, cleaning agent-resistant or resistant to high-pressure and steam jet cleaning, the enlarged temperature range up to +230°C, rapid interconnection (technology) or special data transmission properties, the cable sockets meet all the requirements of automation technology.

Electrical features

Type of plug-in contact, A connection	Female (socket)
Type of A electrical connection	M12
Type of B electrical connection	Free conductor end
Number of pins of A connection	5
Ampacity	4 A
Operating voltage (AC 50Hz)	60 V
Operating voltage (DC)	60 V
Coding of connection A	A

Mechanical features

Number of cores	5
Wire assembly	16 x 0.2mm
Conductor cross-section	0.34 mm ²
Cable length	2 m
Cable infeed of A connection	angular
Maximum tightening torque of connection A	1 Nm
bending cycles	3 million cycles
Degree of protection (IP)	IP67
Torsion cycles	+/-180°/m, ≥ 1 million cycles
Material of cable sheath	Kunststoff (PUR)
Perm. ambient temperature of cable, fixed cable	-25 - 90 °C
Material of the screw fitting	Brass
Line diameter	5.4 mm
ardTEME_Werkstoffeigenschaften	Halogenfrei Hydrolysefest LABS-frei Ozonbeständig Silikonfrei UV-Beständig
ardTEME_Umgebungsbeständigkeiten	Öle Kühlschmiermittel

Other features

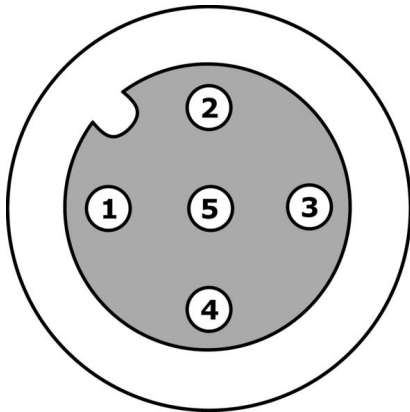
Flame retardant	in accordance with EN 60332-2-2
ardTE00_Anwendungen	Schleppkettentauglich Schweißbereich

Classification

ETIM 8	EC001855 Assembled sensor-actuator cable
--------	--

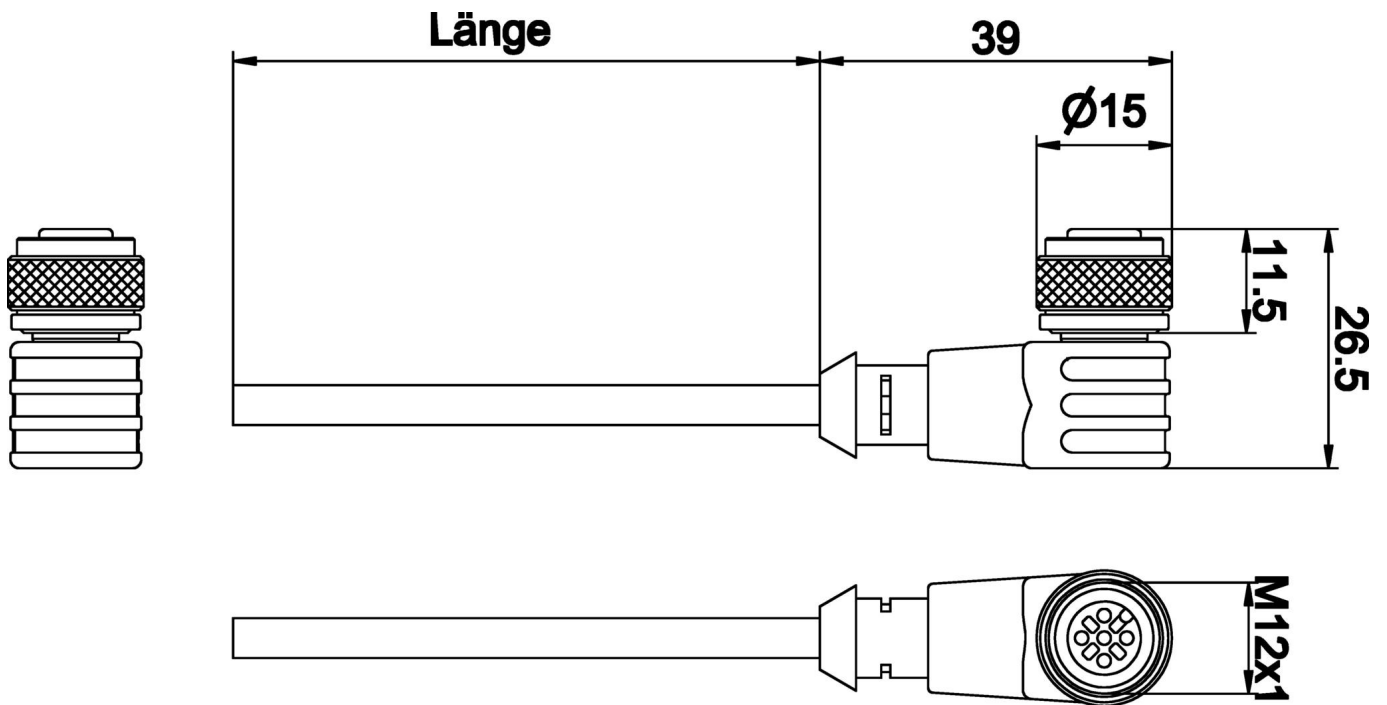
More

IPF Product Group	850 cable sockets / connectors (one side ready made)
packaging dimensions	120 x 120 x 25 mm
gross weight	100 g
Customs tariff number	85444290
WEEE number	40951076
OzDS-compliant	Yes
POP-compliant	Yes
Reach-compliant	Yes
RoHS-compliant	Yes

Connection

- 1** brown
- 2** white
- 3** blue
- 4** black
- 5** green/yellow

Dimensional drawing



Extract accessories program

AV98F001



AV98F002



Tool, wrench insert for torque wrench, SW13

AV000130



Tool, Wire stripper, 28x166x102mm, Skinning range diameter 4.4-7mm, Plastic

AV000132



Tool, Wire stripper, 28x166x102mm, Skinning range diameter 3.2-4.4mm, Plastic

AV000116



Labeling material, Label sleeve, 30mm long, Cable diameter 3.7-6.2mm, Plastic, Transparent

AY000141



Plastic sheath, Ø17mm, Inner diameter 10mm, -40-250°C, Glass fiber with silicone rubber, Short-term resistance to weld spatter 1200°C, Tensile strength 400N, Flexible, Flame retardant, yard good

AV000140



You can find further accessories on our homepage



Installation

Mounting / installation may only be carried out by a qualified electrician!



Disposal

WEEE number according to § 6 para. 3 ElektroG: 40951076

Safety warnings

- / Before initial operation, please make sure to follow all safety instructions that may be provided in the product information.
- / Never use these devices in applications where the safety of a person depends on their functionality.