

VK200821

Connection technology • Cable sockets / connectors pre-assembled on one side

Connection cable, 2m, M12 socket 5-pin angular, free cable end, 5x0.34mm², PUR (polyurethane), Ø5.2mm, 30V, -30-90°C, IP67, TPU, 4A, LED, suitable for trailing chain and torsion resistant, oils and cooling lubricants, welding range, silicone-free



ipf cable sockets are mainly used for the electrical connection of sensors. Their properties are characterized by the robust version, in the highest degrees of protection (IP67 | IP68 | IP69K) and with 360° shielding on request. With the features: bus-compatible, drag chain and robot-compatible, oil and chemical-resistant, welding spark-resistant, cleaning agent-resistant or resistant to high-pressure and steam jet cleaning, the enlarged temperature range up to +230°C, rapid interconnection (technology) or special data transmission properties, the cable sockets meet all the requirements of automation technology.

Electrical features

Display	LED display
Type of plug-in contact, A connection	Female (socket)
Type of A electrical connection	M12
Type of B electrical connection	Free conductor end
Flow resistance	5 mOhm
Number of pins of A connection	5
Ampacity	4 A
Operating voltage (AC 50Hz)	30 V
Operating voltage (DC)	30 V
Coding of connection A	A

Mechanical features

Number of cores	5
Wire assembly	42 x 0.1mm
Conductor cross-section	0.34 mm ²
Cable length	2 m
Cable infeed of A connection	angular
Maximum tightening torque of connection A	1 Nm
bending cycles	3 million cycles
Degree of protection (IP)	IP67
Torsion cycles	+/-180°/m, ≥ 1 million cycles
Contact coating material	Gold
Housing material	TPU
Material of cable sheath	Kunststoff (PUR)
Contact body material	CuSn
Perm. ambient temperature of cable, fixed cable	-30 - 90 °C
Material of the screw fitting	Brass
Line diameter	5.2 mm
ardTEME_Werkstoffeigenschaften	Halogenfrei Hydrolysefest LABS-frei Ozonbeständig Silikonfrei UV-Beständig
ardTEME_Umgebungsbestaendigkeiten	Öle Kühlschmiermittel

Optical features

Degree of soiling	3
-------------------	---

Other features

Flame retardant	in accordance with EN 60332-2-2
ardTE00_Anwendungen	Schleppkettentauglich Schweißbereich

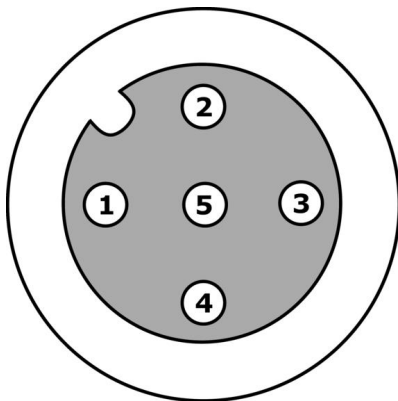
Classification

ETIM 8	EC001855 Assembled sensor-actuator cable
--------	--

More

IPF Product Group	850 cable sockets / connectors (one side ready made)
packaging dimensions	175 x 175 x 20 mm
gross weight	82 g
Customs tariff number	85444290
WEEE number	40951076
OzDS-compliant	Yes
POP-compliant	Yes
Reach-compliant	Yes
RoHS-compliant	Yes

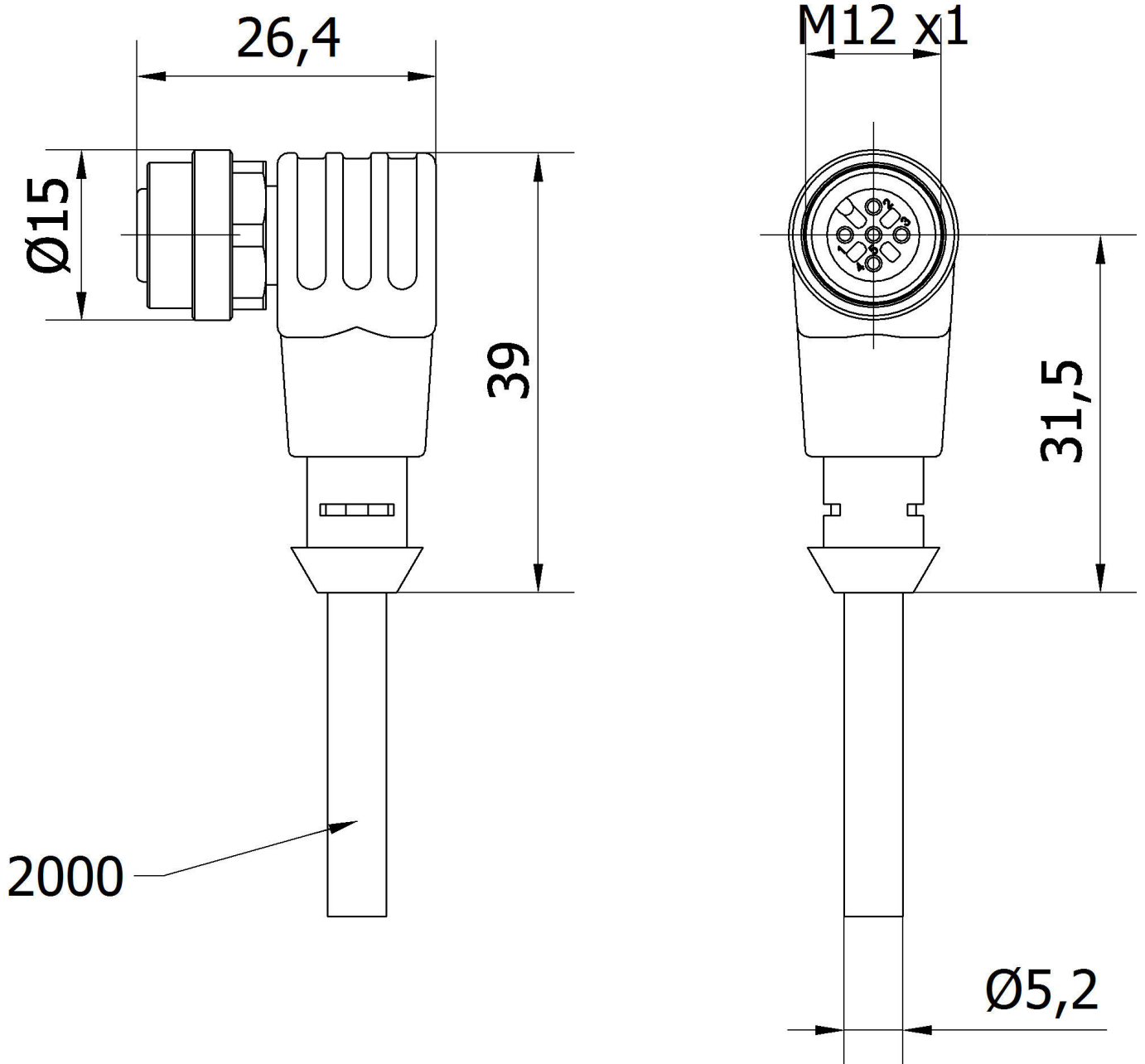
Connection



- 1** brown
- 2** white
- 3** blue
- 4** black
- 5** gray

LEDs: green (PIN1), yellow (PIN 2), yellow (PIN4)

Dimensional drawing



Extract accessories program**AV000116**

Labeling material, Label sleeve,
30mm long, Cable diameter 3.7-6.
2mm, Plastic, Transparent

AY000141

Plastic sheath, Ø17mm, Inner
diameter 10mm, -40-250°C, Glass
fiber with silicone rubber, Short-
term resistance to weld spatter
1200°C, Tensile strength 400N,
Flexible, Flame retardant, yard
good

AV98F001**AV98F002**

Tool, wrench insert for torque
wrench, SW13

AV000140

You can find further accessories on our homepage

**Installation**

Mounting / installation may only be carried
out by a qualified electrician!

**Disposal**

WEEE number according to § 6 para. 3
ElektroG: 40951076

Safety warnings

/ Before initial operation, please make sure to follow all safety instructions that may be provided in the product information.

/ Never use these devices in applications where the safety of a person depends on their functionality.