

VK200F25

Connection technology • Cable sockets / connectors pre-assembled on two sides

Connection cable, 2m, M12 socket 4-pin straight, M12 connector 4-pin straight, 4x0.34mm², PUR (polyurethane), 240V, IP67, suitable for trailing chain and torsion resistant, oils and cooling lubricants, welding area, silicone-free



This connection cable has pre-wired connections on both sides. It can be used to cost-effectively integrate end devices with a plug connection via a distribution terminal or a logic module.

Electrical features

Type of plug-in contact, A connection	Female (socket)
Type of plug-in contact, B connection	Male (connector)
Type of A electrical connection	M12
Type of B electrical connection	M12
Number of pins of A connection	4
Number of pins of B connection	4
Operating voltage (AC 50Hz)	240 V
Operating voltage (DC)	240 V

Mechanical features

Number of cores	4
Wire assembly	42 x 0.1mm
Conductor cross-section	0.34 mm ²
Cable length	2 m
Cable infeed of A connection	straight
Cable infeed of B connection	straight
Maximum tightening torque of connection A	1 Nm
Maximum tightening torque of connection B	1 Nm
bending cycles	5 million cycles
Degree of protection (IP)	IP67
Torsion cycles	+/-360°/m, ≥ 2 million cycles
Material of cable sheath	Plastic (PUR)
Perm. ambient temperature of cable, fixed cable	-25 - 80 °C
Suitable for trailing chain	Yes
Material of the screw fitting	Brass

Other features

Flame retardant	in accordance with EN 60332-2-2
Halogen-free	Yes
Hydrolysis-proof	Yes
Free of LABS	Yes
Ozone and UV-resistant	Yes
Suitable for trailing chain and torsion resistant	Yes
Welding area	Yes
Silicone-free	Yes
Oil and cooling lubricants	Yes

Classification

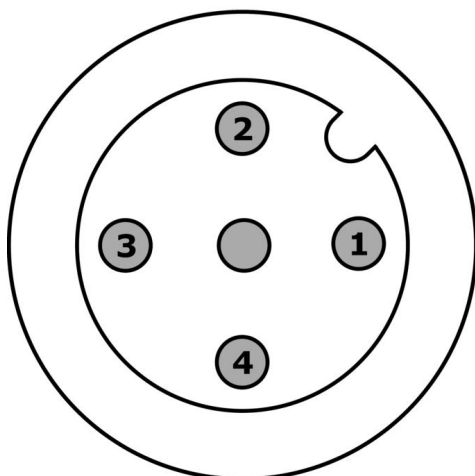
ETIM 8	EC001855 Assembled sensor-actuator cable
--------	--

More

IPF Product Group	851 cable sockets / connectors (both side ready made)
packaging dimensions	138 x 135 x 15 mm
gross weight	82 g
Customs tariff number	85444290
WEEE number	40951076
OzDS-compliant	Yes
POP-compliant	Yes
Reach-compliant	Yes
RoHS-compliant	Yes

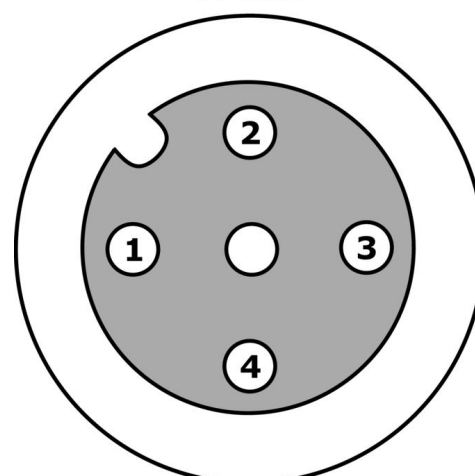
Connection

connector



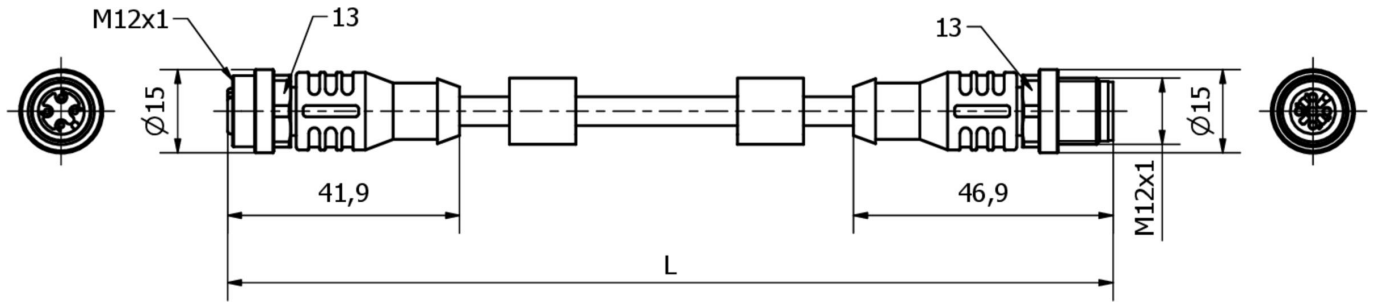
- 1** brown
- 2** white
- 3** blue
- 4** black

socket



- 1** brown
- 2** white
- 3** blue
- 4** black

Dimensional drawing



Extract accessories program

AV000117



Labeling material, Label, 2, 1x30x4mm, Plastic PC, 34 identification labels

VK000037



Adaption, M12 Female (socket) 3pin Straight, M8 Male (connector) 3pin Straight, 24V, -25-85°C, IP67, Oil and cooling lubricants, Welding area

AV000141



accessories cable socket, Mounting clip, 13.5mm, PPO, Packaging unit 5, Accessories for Cable socket/connector M12

AV98F001



AV98F002



Tool, wrench insert for torque wrench, SW13

VK003020



Cable socket, angular, self-assembly, screw connection, $\varnothing 3-6.5$ mm, 4A, 240V, -25-90°C, M12 socket 4-pin, IP67, PBT

VK003024



Cable socket, Straight, Suitable for self-assembly, Screw connection, $\varnothing 3-6.5$ mm, 4A, 240V, -25-90°C, M12 Female (socket) 4pin, IP67, PBT

VK200021



Connection cable, 2m, M12 Female (socket) 3pin Angular, Free conductor end, 3x0.34mm², PUR (Polyurethane), $\varnothing 4.3$ mm, 250V, -30-90°C, IP67, Suitable for trailing chain and torsion resistant, Oil and cooling lubricants, Welding area, Silicone-free

VK200025



Connection cable, 2m, M12 Female (socket) 3pin Straight, Free conductor end, 3x0.34mm², PUR (Polyurethane), $\varnothing 4.3$ mm, 250V, -30-90°C, IP67, Suitable for trailing chain and torsion resistant, Oil and cooling lubricants, Welding area, Silicone-free

You can find further accessories on our homepage



Installation

Mounting / installation may only be carried out by a qualified electrician!



Disposal

WEEE number according to § 6 para. 3 ElektroG: 40951076

Safety warnings

/ Before initial operation, please make sure to follow all safety instructions that may be provided in the product information.

/ Never use these devices in applications where the safety of a person depends on their functionality.