

## VK208F25

### Connection technology • Data transfer

Data cable, connection cable, 2m, M12 connector 4-pin straight, D-coding, RJ45 connector 4-pin straight, 4x0.14mm<sup>2</sup>, category 5E, -40-75°C, TPU, shielded



This shielded cable can be used to transmit complex information digitally into a network for further processing. The connections are pre-wired.

The VK208F25 is equipped with a 4-pin D-coded M12-connector on the device side and an RJ45 connector on the network side.

#### Electrical features

Type of plug-in contact, A connection	Male (connector)
Type of plug-in contact, B connection	Male (connector)
Type of A electrical connection	M12
Type of B electrical connection	RJ45
Number of pins of A connection	4
Number of pins of B connection	4
Supported communication interface	1x 100MbE   1x RS485   EtherCAT   Ethernet   Ethernet Industrial Protocol
Operating voltage (AC 50Hz)	50 V
Operating voltage (DC)	50 V
Shielded	Yes
ardTEEL_Uebertragungsklassifizierung	Cat5e
Coding of connection A	D

**Mechanical features**

Number of cores	4
Wire assembly	18 x 0.1mm
Conductor cross-section	0.14 mm <sup>2</sup>
Outer diameter	4.8 mm
Cable sheath color	green
Cable length	2 m
Cable infeed of A connection	straight
Cable infeed of B connection	straight
Housing material	TPU
Material of cable sheath	Kunststoff (PUR)
Perm. ambient temperature of cable, fixed cable	-40 - 75 °C
Ambient temperature	-30 - 70 °C
ardTEME_WerkstoffDerKontakteAnschlussA	CuSn, gold-plated
ardTEME_WerkstoffDerKontakteAnsWerkstoff_der_Kontakte_AnschCuZn, gold-plated	
ardTEME_Werkstoffeigenschaften	Halogenfrei

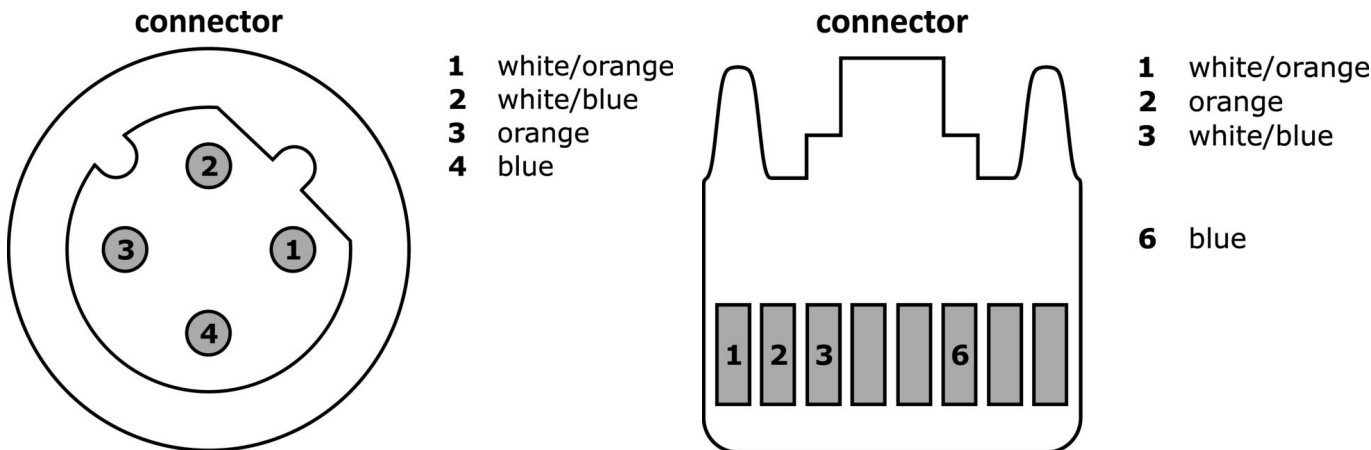
**Classification**

ETIM 8	EC002599 Patch cable copper industry
--------	--------------------------------------

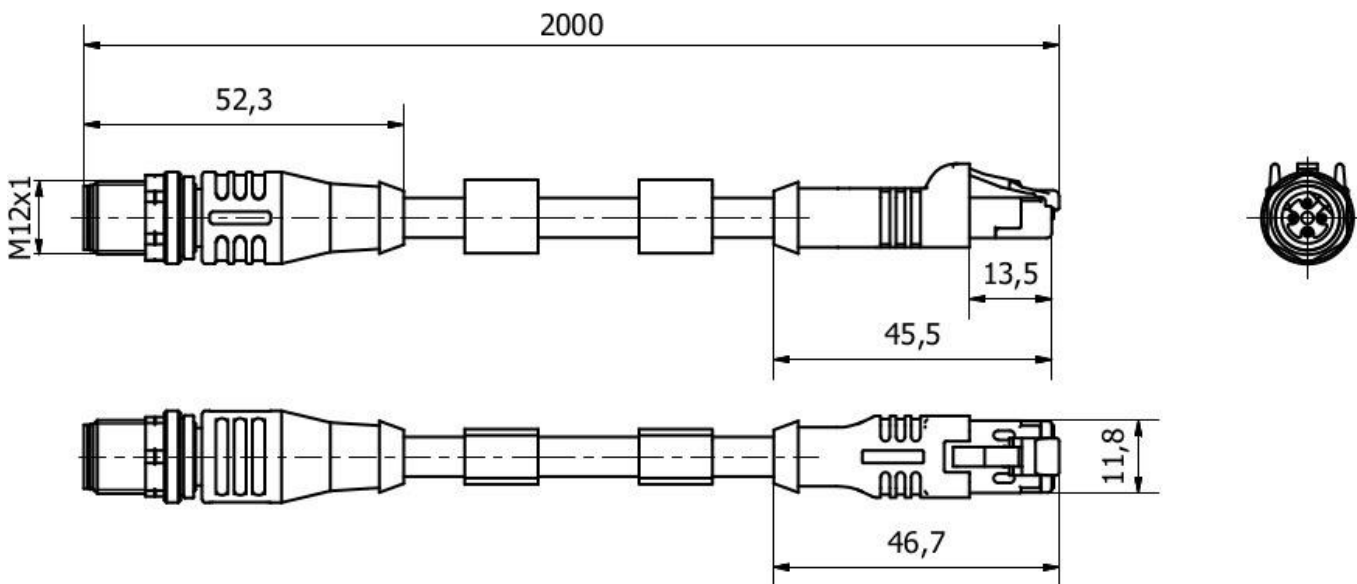
**More**

IPF Product Group	851 cable sockets / connectors (both side ready made)
packaging dimensions	325 x 200 x 15 mm
gross weight	100 g
Customs tariff number	85444290
WEEE number	40951076
OzDS-compliant	Yes
POP-compliant	Yes
Reach-compliant	Yes
RoHS-compliant	Yes

**Connection**

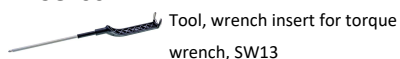


**Dimensional drawing**



**Extract accessories program**

**AV98F002**



**AV000140**



You can find further accessories on our homepage



**Installation**

Mounting / installation may only be carried out by a qualified electrician!



**Disposal**

WEEE number according to § 6 para. 3 ElektroG: 40951076

**Safety warnings**

- / Before initial operation, please make sure to follow all safety instructions that may be provided in the product information.
- / Never use these devices in applications where the safety of a person depends on their functionality.