

VK20E255

Connection technology • Data transfer

Data cable, Connection cable, 2m, M12 Male (connector) 4pin Straight, D-coding, M12 Male (connector) 4pin Straight, D-coding, 4x0.14mm², Category 5E, -40-75°C, TPU, Shielded



This shielded cable tail can be used to transmit complex information digitally into a network for further processing. The connections are pre-wired.

The VK20E255 is equipped with a 4-pin D-coded M12 connector on the device side and a 4-pin D-coded M12-connector on the network side.

Electrical features

Type of plug-in contact, A connection	Male (connector)
Type of plug-in contact, B connection	Male (connector)
Type of A electrical connection	M12
Type of B electrical connection	M12
Number of pins of A connection	4
Number of pins of B connection	4
Operating voltage (AC 50Hz)	50 V
Operating voltage (DC)	50 V
Shielded	Yes
ardTEEL_Uebertragungsklassifizierung	Cat5e

Mechanical features

Number of cores	4
Wire assembly	7 x 0.25mm
Conductor cross-section	0.14 mm ²
Outer diameter	6.5 mm
Cable sheath color	green
Cable length	2 m
Cable infeed of A connection	straight
Cable infeed of B connection	straight
Coding of connection A	D
Coding of connection B	D
Housing material	TPU
Material of cable sheath	Plastic (PUR)
Perm. ambient temperature of cable, fixed cable	-40 - 75 °C
Ambient temperature	-30 - 70 °C
ardTEME_WerkstoffDerKontakteAnschlussA	CuSn, gold-plated
ardTEME_WerkstoffDerKontakteAnsWerkstoff_der_Kontakte_AnschCuSn	gold-plated

Other features

Halogen-free	Yes
--------------	-----

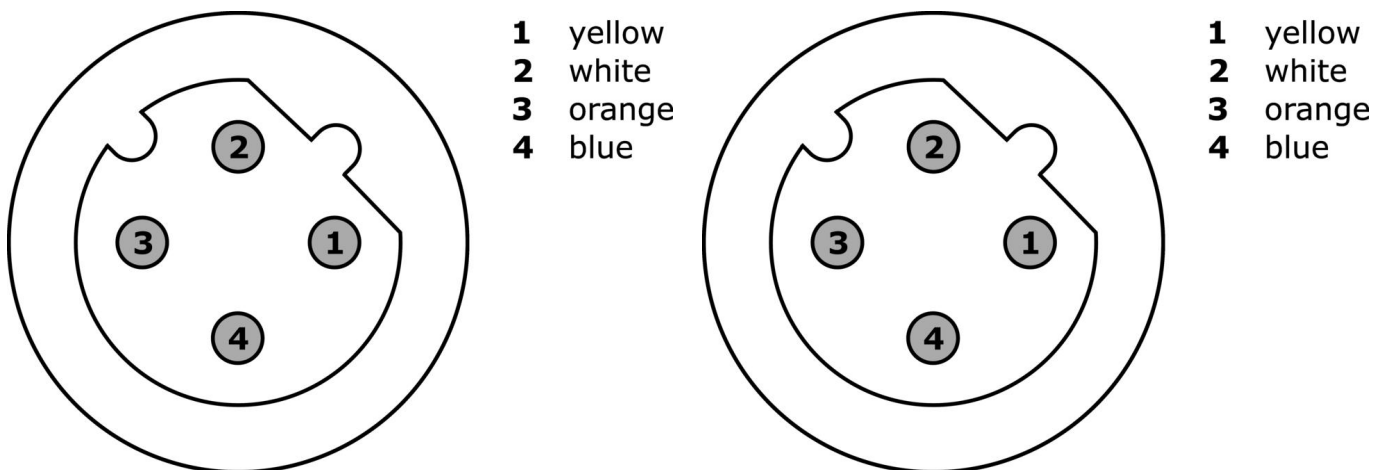
Classification

ETIM 8	EC001855 Assembled sensor-actuator cable
--------	--

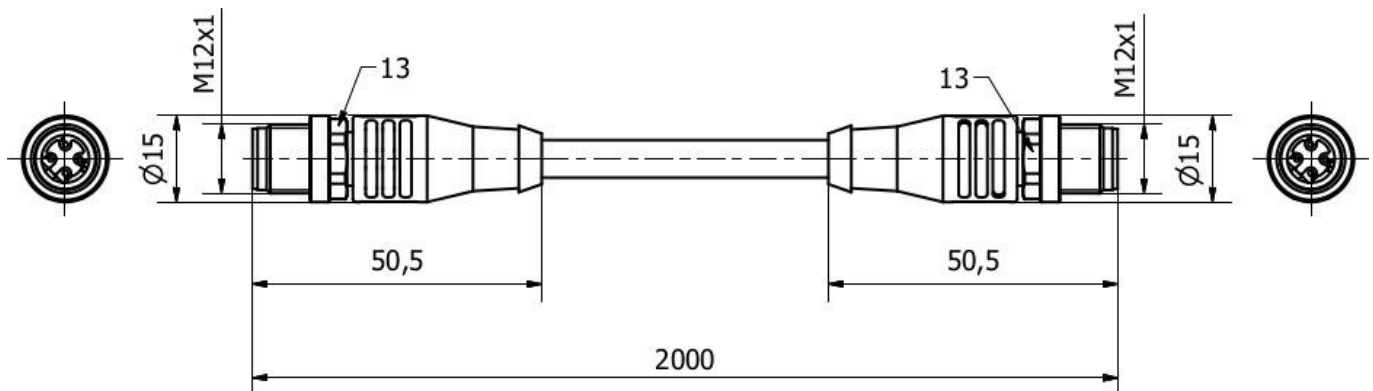
More

IPF Product Group	851 cable sockets / connectors (both side ready made)
packaging dimensions	240 x 210 x 20 mm
gross weight	152 g
Customs tariff number	85444290
WEEE number	40951076
OzDS-compliant	Yes
POP-compliant	Yes
Reach-compliant	Yes
RoHS-compliant	Yes

Connection



Dimensional drawing



Extract accessories program**AV000141**

accessories cable socket,
Mounting clip, 13.5mm, PPO,
Packaging unit 5, Accessories for
Cable socket/connector M12

AV98F001**AV98F002**

Tool, wrench insert for torque
wrench, SW13

AV000140

You can find further accessories on our homepage

**Installation**

Mounting / installation may only be carried out by a qualified electrician!

**Disposal**

WEEE number according to § 6 para. 3
ElektroG: 40951076

Safety warnings

- / Before initial operation, please make sure to follow all safety instructions that may be provided in the product information.
- / Never use these devices in applications where the safety of a person depends on their functionality.