

VK300F81

Connection technology • Cable sockets / connectors pre-assembled on two sides

Connection cable, 3m, M8 socket 4-pin angular, M12 connector 4-pin straight, 4x0.34mm², PUR (polyurethane), 60V, IP67, suitable for trailing chain and torsion resistant, oils and cooling lubricants, welding area, silicone-free



This connection cable has pre-wired connections on both sides. It can be used to cost-effectively integrate end devices with a plug connection via a distribution terminal or a logic module.

Electrical features

| | |
|---------------------------------------|------------------|
| Type of plug-in contact, A connection | Female (socket) |
| Type of plug-in contact, B connection | Male (connector) |
| Type of A electrical connection | M8 |
| Type of B electrical connection | M12 |
| Number of pins of A connection | 4 |
| Number of pins of B connection | 4 |
| Operating voltage (AC 50Hz) | 60 V |
| Operating voltage (DC) | 60 V |

Mechanical features

| | |
|---|-------------------------------|
| Number of cores | 4 |
| Wire assembly | 42 x 0.1mm |
| Conductor cross-section | 0.34 mm ² |
| Cable length | 3 m |
| Cable infeed of A connection | angular |
| Cable infeed of B connection | straight |
| Maximum tightening torque of connection A | 0.6 Nm |
| Maximum tightening torque of connection B | 1 Nm |
| bending cycles | 5 million cycles |
| Degree of protection (IP) | IP67 |
| Torsion cycles | +/-360°/m, ≥ 2 million cycles |
| Material of cable sheath | Plastic (PUR) |
| Perm. ambient temperature of cable, fixed cable | -25 - 80 °C |
| Suitable for trailing chain | Yes |
| Material of the screw fitting | Brass |

Other features

| | |
|---|---------------------------------|
| Flame retardant | in accordance with EN 60332-2-2 |
| Halogen-free | Yes |
| Hydrolysis-proof | Yes |
| Free of LABS | Yes |
| Ozone and UV-resistant | Yes |
| Suitable for trailing chain and torsion resistant | Yes |
| Welding area | Yes |
| Silicone-free | Yes |
| Oil and cooling lubricants | Yes |

Classification

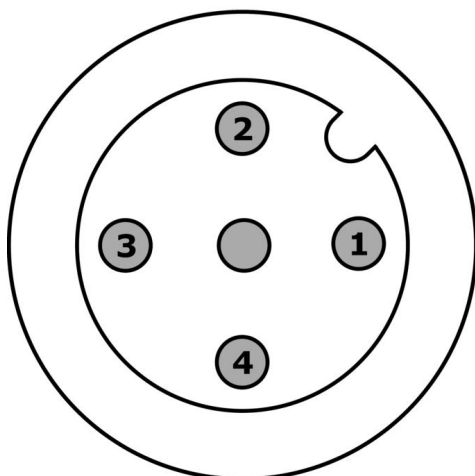
| | |
|--------|--|
| ETIM 8 | EC001855 Assembled sensor-actuator cable |
|--------|--|

More

| | |
|-----------------------|---|
| IPF Product Group | 851 cable sockets / connectors (both side ready made) |
| packaging dimensions | 160 x 160 x 20 mm |
| gross weight | 110 g |
| Customs tariff number | 85444290 |
| WEEE number | 40951076 |
| OzDS-compliant | Yes |
| POP-compliant | Yes |
| Reach-compliant | Yes |
| RoHS-compliant | Yes |

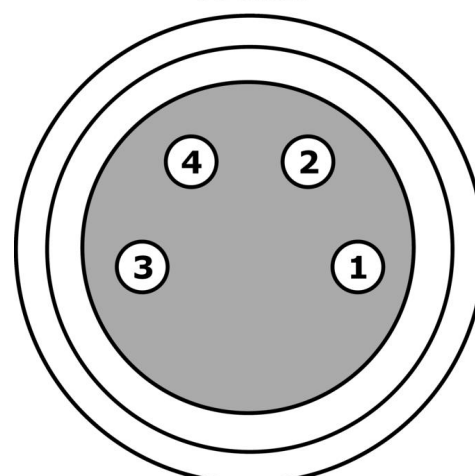
Connection

connector



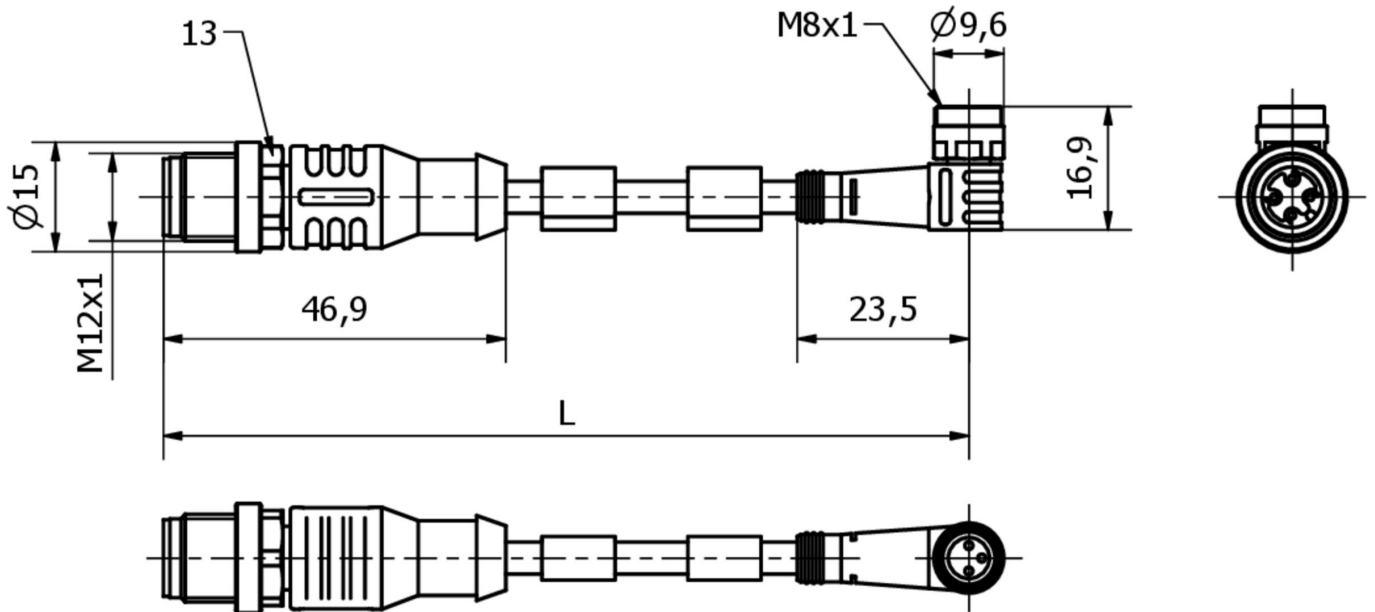
- 1** brown
- 2** white
- 3** blue
- 4** black

socket



- 1** brown
- 2** white
- 3** blue
- 4** black

Dimensional drawing



Extract accessories program

AY000141



Plastic sheath, Ø17mm, Inner diameter 10mm, -40-250°C, Glass fiber with silicone rubber, Short-term resistance to weld spatter 1200°C, Tensile strength 400N, Flexible, Flame retardant, yard good

AV98F001



AV98F002



Tool, wrench insert for torque wrench, SW13

AV000117



Labeling material, Label, 2, 1x30x4mm, Plastic PC, 34 identification labels

VK003021



Cable socket, Angular, Suitable for self-assembly, Screw connection, Ø3-6.5mm, 4A, 60V, -25-90°C, M12 Female (socket) 5pin, IP67, PBT

VK003025



Cable socket, Straight, Suitable for self-assembly, Screw connection, Ø3-6.5mm, 4A, 60V, -25-90°C, M12 Female (socket) 5pin, IP67, PBT

VK200021



Connection cable, 2m, M12 Female (socket) 3pin Angular, Free conductor end, 3x0.34mm², PUR (Polyurethane), Ø4.3mm, 250V, -30-90°C, IP67, Suitable for trailing chain and torsion resistant, Oil and cooling lubricants, Welding area, Silicone-free

VK200025



Connection cable, 2m, M12 Female (socket) 3pin Straight, Free conductor end, 3x0.34mm², PUR (Polyurethane), Ø4.3mm, 250V, -30-90°C, IP67, Suitable for trailing chain and torsion resistant, Oil and cooling lubricants, Welding area, Silicone-free

VK003020



Cable socket, angular, self-assembly, screw connection, Ø3-6.5mm, 4A, 240V, -25-90°C, M12 socket 4-pin, IP67, PBT

You can find further accessories on our homepage



Installation

Mounting / installation may only be carried out by a qualified electrician!



Disposal

WEEE number according to § 6 para. 3 ElektroG: 40951076

Safety warnings

- / Before initial operation, please make sure to follow all safety instructions that may be provided in the product information.
- / Never use these devices in applications where the safety of a person depends on their functionality.