

VK30E256

Connection technology • Data transfer

Data cable, Connection cable, 3m, M12 Male (connector) 4pin Straight, D-coding, M12 Male (connector) 4pin Straight, D-coding, 4x0.14mm², Category 5E, -40-75°C, TPU, Shielded



This shielded cable tail can be used to transmit complex information digitally into a network for further processing. The connections are pre-wired.

The VK30E256 is equipped with a 4-pin D-coded M12 connector on the device side and a 4-pin D-coded M12-connector on the network side.

Electrical features

Type of plug-in contact, A connection	Male (connector)
Type of plug-in contact, B connection	Male (connector)
Type of A electrical connection	M12
Type of B electrical connection	M12
Number of pins of A connection	4
Number of pins of B connection	4
Operating voltage (AC 50Hz)	50 V
Operating voltage (DC)	50 V
Shielded	Yes
ardTEEL_Uebertragungsklassifizierung	Cat5e

Mechanical features

Number of cores	4
Wire assembly	7 x 0.25mm
Conductor cross-section	0.14 mm ²
Outer diameter	6.5 mm
Cable sheath color	green
Cable length	3 m
Cable infeed of A connection	straight
Cable infeed of B connection	straight
Coding of connection A	D
Coding of connection B	D
Housing material	TPU
Material of cable sheath	Plastic (PUR)
Perm. ambient temperature of cable, fixed cable	-40 - 75 °C
Ambient temperature	-30 - 70 °C
ardTEME_WerkstoffDerKontakteAnschlussA	CuSn, gold-plated
ardTEME_WerkstoffDerKontakteAnsWerkstoff_der_Kontakte_AnschCuSn, gold-plated	

Other features

Halogen-free	Yes
--------------	-----

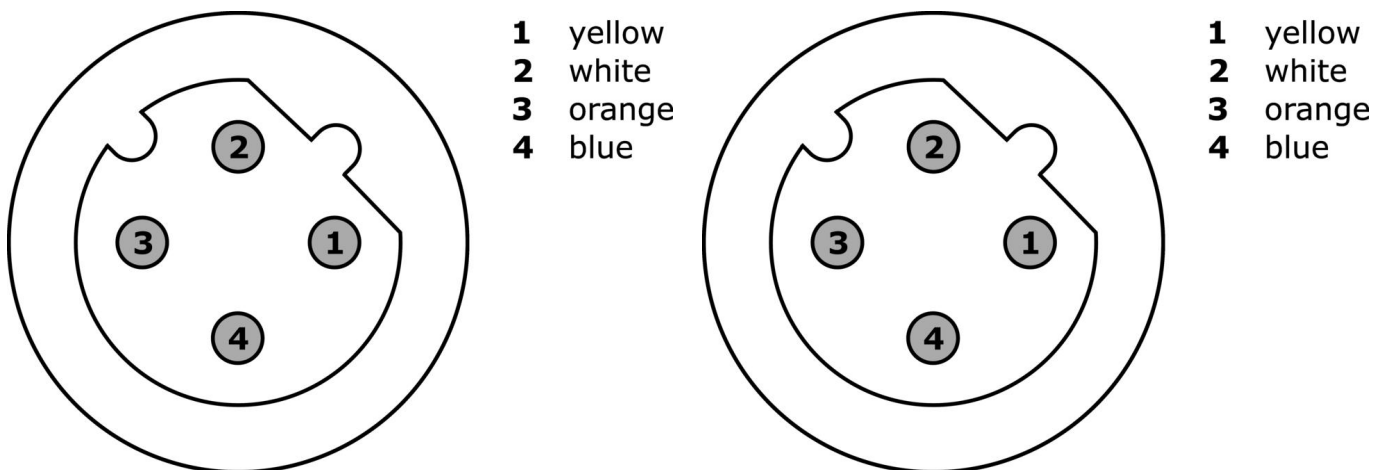
Classification

ETIM 8	EC001855 Assembled sensor-actuator cable
--------	--

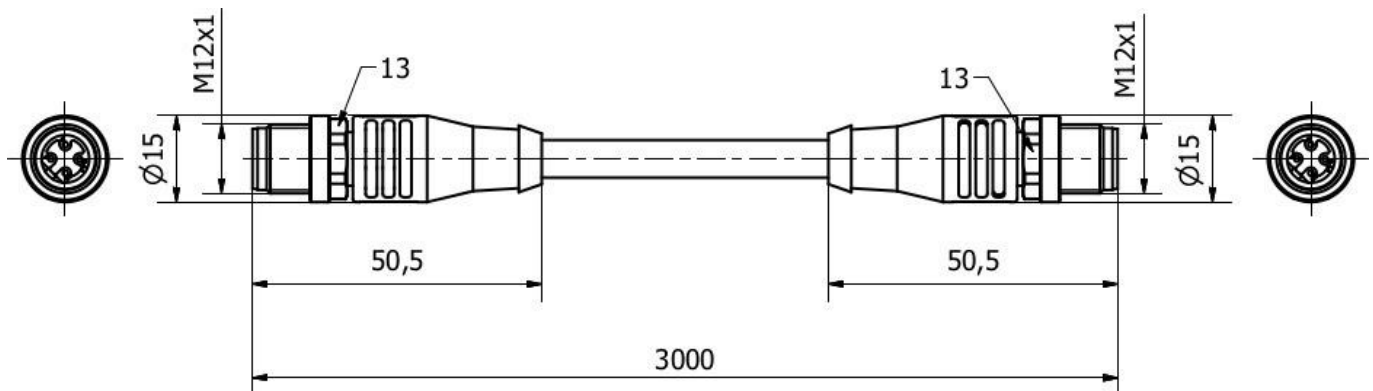
More

IPF Product Group	851 cable sockets / connectors (both side ready made)
packaging dimensions	250 x 250 x 25 mm
gross weight	217 g
Customs tariff number	85444290
WEEE number	40951076
OzDS-compliant	Yes
POP-compliant	Yes
Reach-compliant	Yes
RoHS-compliant	Yes

Connection



Dimensional drawing



Extract accessories program

AV98F001



AV98F002



Tool, wrench insert for torque wrench, SW13

AV000141



accessories cable socket, Mounting clip, 13.5mm, PPO, Packaging unit 5, Accessories for Cable socket/connector M12

AV000140



You can find further accessories on our homepage



Installation

Mounting / installation may only be carried out by a qualified electrician!



Disposal

WEEE number according to § 6 para. 3 ElektroG: 40951076

Safety warnings

/ Before initial operation, please make sure to follow all safety instructions that may be provided in the product information.

/ Never use these devices in applications where the safety of a person depends on their functionality.