

## VK500F21

### Connection technology • Cable sockets / connectors pre-assembled on two sides

Connection cable, 5m, M12 socket 4-pin angular, M12 connector 4-pin straight, 4x0.34mm<sup>2</sup>, PUR (polyurethane), 240V, IP67, suitable for trailing chain and torsion resistant, oils and cooling lubricants, welding area, silicone-free



This connection cable has pre-wired connections on both sides. It can be used to cost-effectively integrate end devices with a plug connection via a distribution terminal or a logic module.

#### Electrical features

Type of plug-in contact, A connection	Female (socket)
Type of plug-in contact, B connection	Male (connector)
Type of A electrical connection	M12
Type of B electrical connection	M12
Number of pins of A connection	4
Number of pins of B connection	4
Operating voltage (AC 50Hz)	240 V
Operating voltage (DC)	240 V

#### Mechanical features

Number of cores	4
Wire assembly	42 x 0.1mm
Conductor cross-section	0.34 mm <sup>2</sup>
Cable length	5 m
Cable infeed of A connection	angular
Cable infeed of B connection	straight
Maximum tightening torque of connection A	1 Nm
Maximum tightening torque of connection B	1 Nm
bending cycles	5 million cycles
Degree of protection (IP)	IP67
Torsion cycles	+/-360°/m, ≥ 2 million cycles
Material of cable sheath	Plastic (PUR)
Perm. ambient temperature of cable, fixed cable	-25 - 80 °C
Suitable for trailing chain	Yes
Material of the screw fitting	Brass

**Other features**

Flame retardant	in accordance with EN 60332-2-2
Halogen-free	Yes
Hydrolysis-proof	Yes
Free of LABS	Yes
Ozone and UV-resistant	Yes
Suitable for trailing chain and torsion resistant	Yes
Welding area	Yes
Silicone-free	Yes
Oil and cooling lubricants	Yes

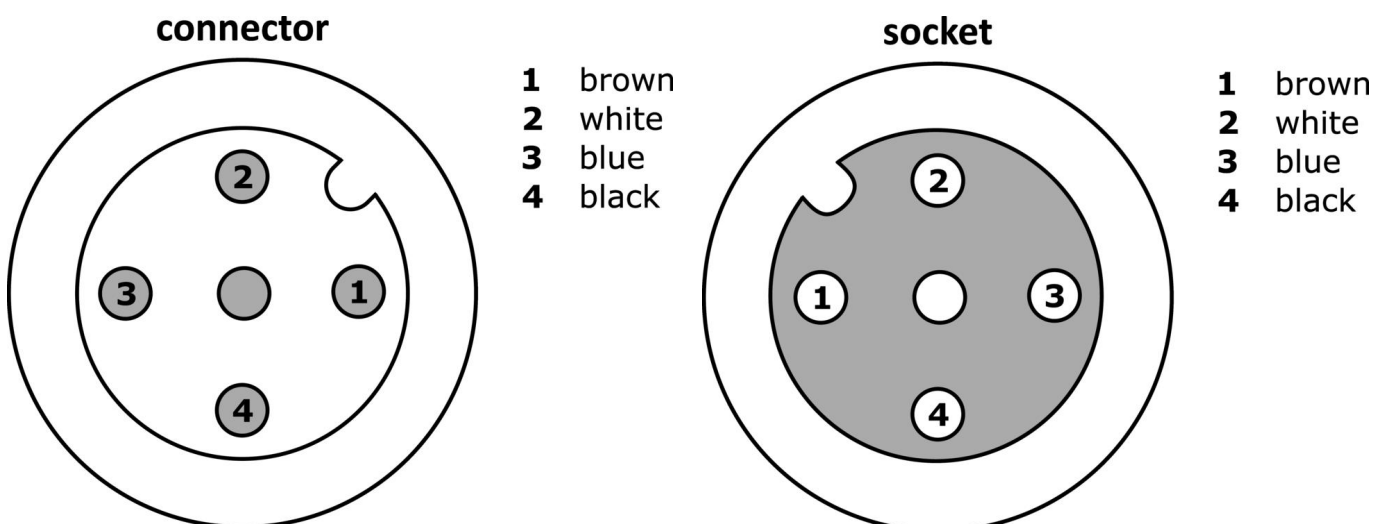
**Classification**

ETIM 8	EC001855 Assembled sensor-actuator cable
--------	--

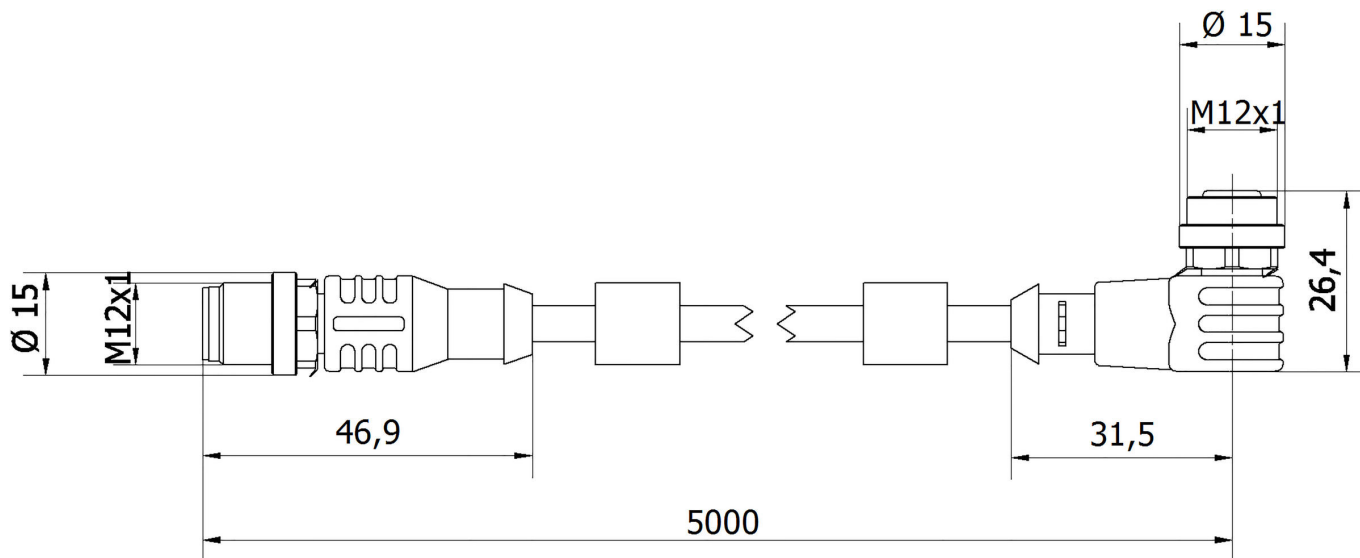
**More**

IPF Product Group	851 cable sockets / connectors (both side ready made)
packaging dimensions	160 x 160 x 30 mm
gross weight	180 g
Customs tariff number	85444290
WEEE number	40951076
OzDS-compliant	Yes
POP-compliant	Yes
Reach-compliant	Yes
RoHS-compliant	Yes

**Connection**



**Dimensional drawing**



**Extract accessories program**

**AV000141**



accessories cable socket,  
Mounting clip, 13.5mm, PPO,  
Packaging unit 5, Accessories for  
Cable socket/connector M12

**VK200021**



Connection cable, 2m, M12  
Female (socket) 3pin Angular, Free  
conductor end, 3x0.34mm<sup>2</sup>, PUR  
(Polyurethane), Ø4.3mm, 250V, -  
30-90°C, IP67, Suitable for trailing  
chain and torsion resistant, Oil and  
cooling lubricants, Welding area,  
Silicone-free

**VK200025**



Connection cable, 2m, M12  
Female (socket) 3pin Straight, Free  
conductor end, 3x0.34mm<sup>2</sup>, PUR  
(Polyurethane), Ø4.3mm, 250V, -  
30-90°C, IP67, Suitable for trailing  
chain and torsion resistant, Oil and  
cooling lubricants, Welding area,  
Silicone-free

**VK003021**



Cable socket, Angular, Suitable for  
self-assembly, Screw connection,  
Ø3-6.5mm, 4A, 60V, -25-90°C,  
M12 Female (socket) 5pin, IP67,  
PBT

**VK003025**



Cable socket, Straight, Suitable for  
self-assembly, Screw connection,  
Ø3-6.5mm, 4A, 60V, -25-90°C,  
M12 Female (socket) 5pin, IP67,  
PBT

**AV98F001**



**AV98F002**



Tool, wrench insert for torque  
wrench, SW13

**VK000004**



Screw plug, M12x1.5, plastic, black

**VK000007**



distributor, 60x42x102mm, 10-30V  
DC, 4x M12, Hood distributor /  
pluggable trunk line connection  
5pin, IP67, PBT, M20 x 1.5, With  
LED display

You can find further accessories on our homepage



**Installation**

Mounting / installation may only be carried out by a qualified electrician!



**Disposal**

WEEE number according to § 6 para. 3  
ElektroG: 40951076

---

**Safety warnings**

- / Before initial operation, please make sure to follow all safety instructions that may be provided in the product information.
- / Never use these devices in applications where the safety of a person depends on their functionality.