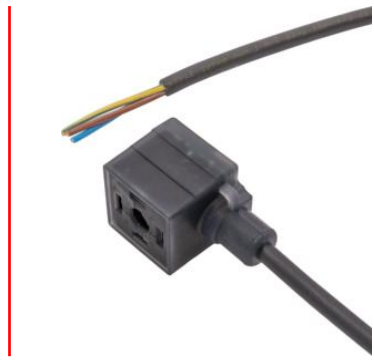


## VK50F003

### Connection technology • Cable sockets / connectors pre-assembled on one side

Connection cable, 5m, valve plug type A 2-pin + PE, free cable end, 3x0.75mm<sup>2</sup>, angular, PUR (polyurethane), Ø5.7mm, 30VAC/DC, -30-90°C, IP67, suitable for trailing chain and torsion resistant, oils and cooling lubricants, welding area, silicone-free, LED, transil diode



ipf cable sockets are mainly used for the electrical connection of sensors. Their properties are characterized by the robust version, in the highest degrees of protection (IP67 | IP68 | IP69K) and with 360° shielding on request. With the features: bus-compatible, drag chain and robot-compatible, oil and chemical-resistant, welding spark-resistant, cleaning agent-resistant or resistant to high-pressure and steam jet cleaning, the enlarged temperature range up to +230°C, rapid interconnection (technology) or special data transmission properties, the cable sockets meet all the requirements of automation technology.

#### Electrical features

Display	LED display
Type of plug-in contact, A connection	Female (socket)
Type of A electrical connection	Valve connector type A
Type of B electrical connection	Free conductor end
Number of pins of A connection	3
Ampacity	10 A
Operating voltage (AC 50Hz)	30 V
Operating voltage (DC)	30 V
ardSOCA_ElektrischerAnschluss	3-wire 5m
ardSOCA_Betriebsspannung	30VAC(50Hz)   30VDC
ardTEEL_Schutzfunktionen	Transildiode

**Mechanical features**

Number of cores	3
Wire assembly	42 x 0.15 mm
Conductor cross-section	0.75 mm <sup>2</sup>
Bending radius (flexible)	57 mm
Bending radius (fixed)	28.5 mm
Cable length	5 m
Cable infeed of A connection	angular
bending cycles	≥ 2 million cycles
Degree of protection (IP)	IP67
Torsion cycles	+/-180°/m, ≥ 1 million cycles
Contact coating material	silver
Housing material	TPU
Material of cable sheath	Kunststoff (PUR)
Contact body material	Plastic (PA)
Perm. ambient temperature of cable, fixed cable	-40 - 90 °C
Perm. ambient temperature of cable, flexible cable	-30 - 90 °C
Contact material	CuZn
Line diameter	5.7 mm
ardTEME_Werkstoffeigenschaften	Halogenfrei   Hydrolysefest   LABS-frei   Ozonbeständig   Silikonfrei   UV-Beständig
ardTEME_Umgebungsbestaendigkeiten	Öle   Kühlschmiermittel

**Optical features**

Degree of soiling	3
-------------------	---

**Other features**

Flame retardant	in accordance with EN 60332-2-2
ardTE00_Anwendungen	Schleppkettentauglich   Schweißbereich

**Classification**

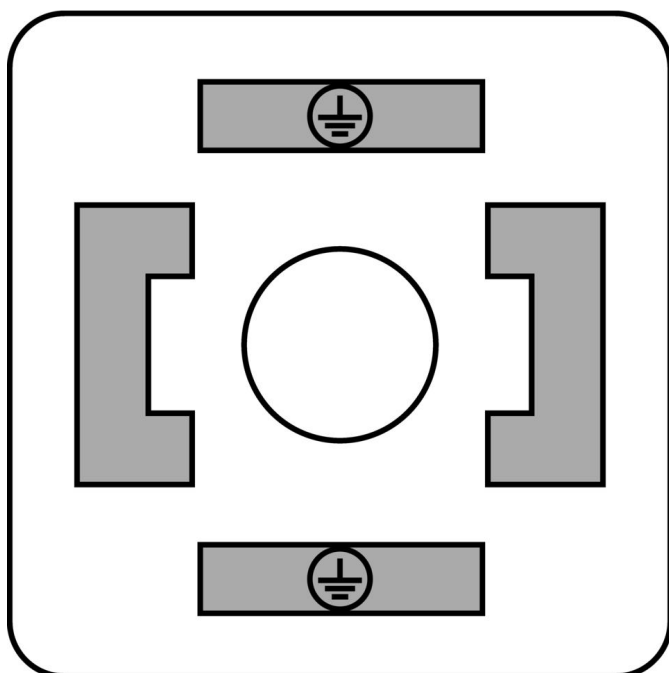
ETIM 8	
--------	--

**More**

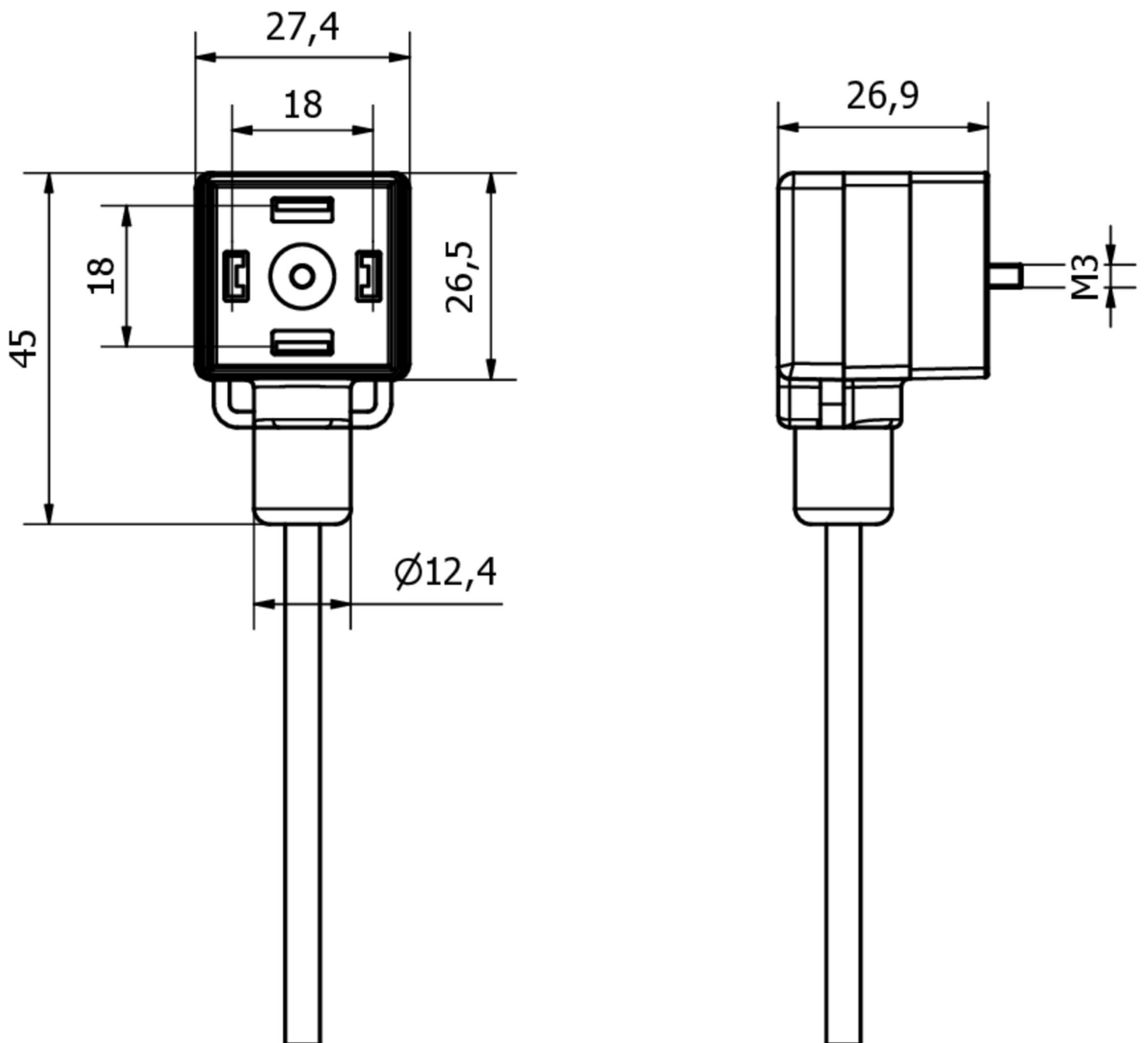
IPF Product Group	850 cable sockets / connectors (one side ready made)
packaging dimensions	500 x 300 x 250 mm
gross weight	259 g
Customs tariff number	85444290
WEEE number	40951076
OzDS-compliant	Yes
POP-compliant	Yes
Reach-compliant	Yes
RoHS-compliant	Yes

Connection

**socket**



Dimensional drawing



**Extract accessories program****AV000116**

Labeling material, Label sleeve,  
30mm long, Cable diameter 3.7-6.  
2mm, Plastic, Transparent

**AV000130**

Tool, Wire stripper,  
28x166x102mm, Skinning range  
diameter 4.4-7mm, Plastic

**AV000132**

Tool, wire stripper,  
28x166x102mm, stripping range  
diameter 2.9-4.4mm, plastic

**AY000141**

Plastic sheath, Ø17mm, Inner  
diameter 10mm, -40-250°C, Glass  
fiber with silicone rubber, Short-  
term resistance to weld spatter  
1200°C, Tensile strength 400N,  
Flexible, Flame retardant, yard  
good

You can find further accessories on our homepage

**Installation**

Mounting / installation may only be carried  
out by a qualified electrician!

**Disposal**

WEEE number according to § 6 para. 3  
ElektroG: 40951076

**Safety warnings**

/ Before initial operation, please make sure to follow all safety instructions that may be provided in the product information.

/ Never use these devices in applications where the safety of a person depends on their functionality.