

## VK98E197

### Connection technology • Distribution terminals

distributor, 25x161x54mm, 30V, 8x M12 5pin, Fixed-cable distributor / connected trunk line, IP67, Polyamide PA, With LED display, Sensor/actuator slot with equipment grounding conductor, 12A

including Screw plug



The wiring of sensors and actors is considerably more comfortable with our sensor distribution box. The individual devices are connected with the distributor via an M8 or M12 cable that is pre-assembled on both sides. By means of the trunk line the effort for laying and wiring the cables can be reduced significantly. The operating mode display provides information about the sensors operating mode (operating voltage, switching state). Thus, troubleshooting is simpler, as an overview about the functioning of the connected periphery is directly given.

#### Electrical features

Display	LED display
Type of A electrical connection	M12
Type of B electrical connection	Free conductor end
Max. ampacity per I/O signal	2 A
Max. total current	12 A
Number of pins of A connection	5
Number of slots	8
Operating voltage (AC 50Hz)	30 V
Operating voltage (DC)	30 V
Sensor/actuator slot with equipment grounding conductor	Yes

#### Mechanical features

Width	54 mm
Height	25.2 mm
Cable length	10 m
Length	160.6 mm
bending cycles	≥ 2 million cycles
Degree of protection (IP)	IP67
Torsion cycles	+/-180°/m, ≥ 0.5 million cycles
Housing material	Polyamide PA
Structure of trunk line	16 x 0.34mm <sup>2</sup> + 3 x 1mm <sup>2</sup>
Diameter of trunk line	9.7 mm
Type of cable gland	none
Ambient temperature	-30 - 90 °C
Line diameter	9.7 mm

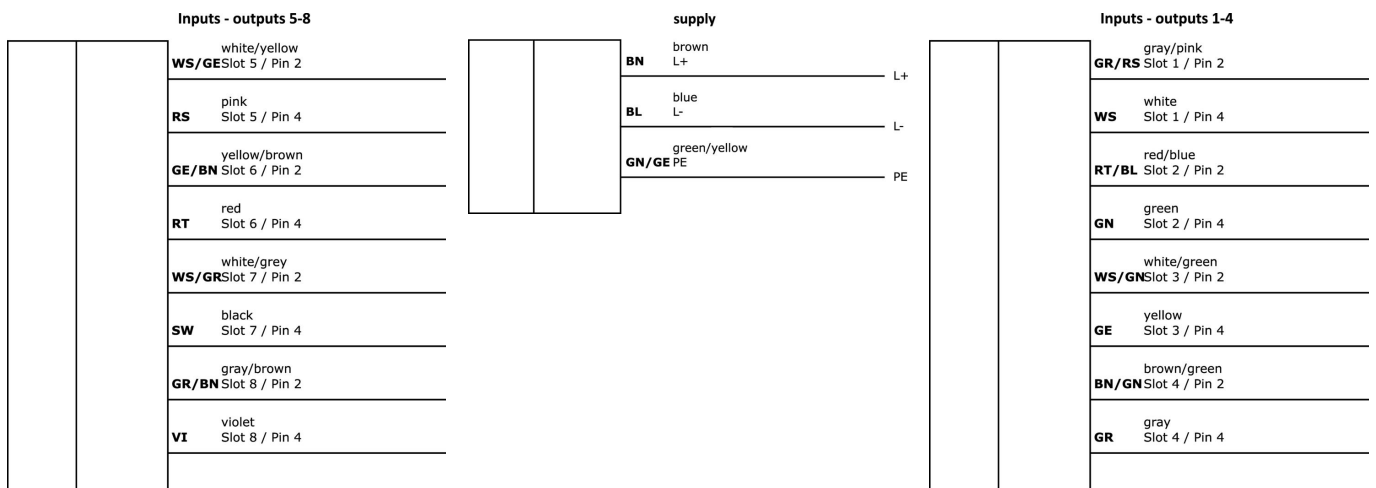
**Classification**

ETIM 8	EC002585 Passive sensor/actuator distributor (with cable)
--------	---

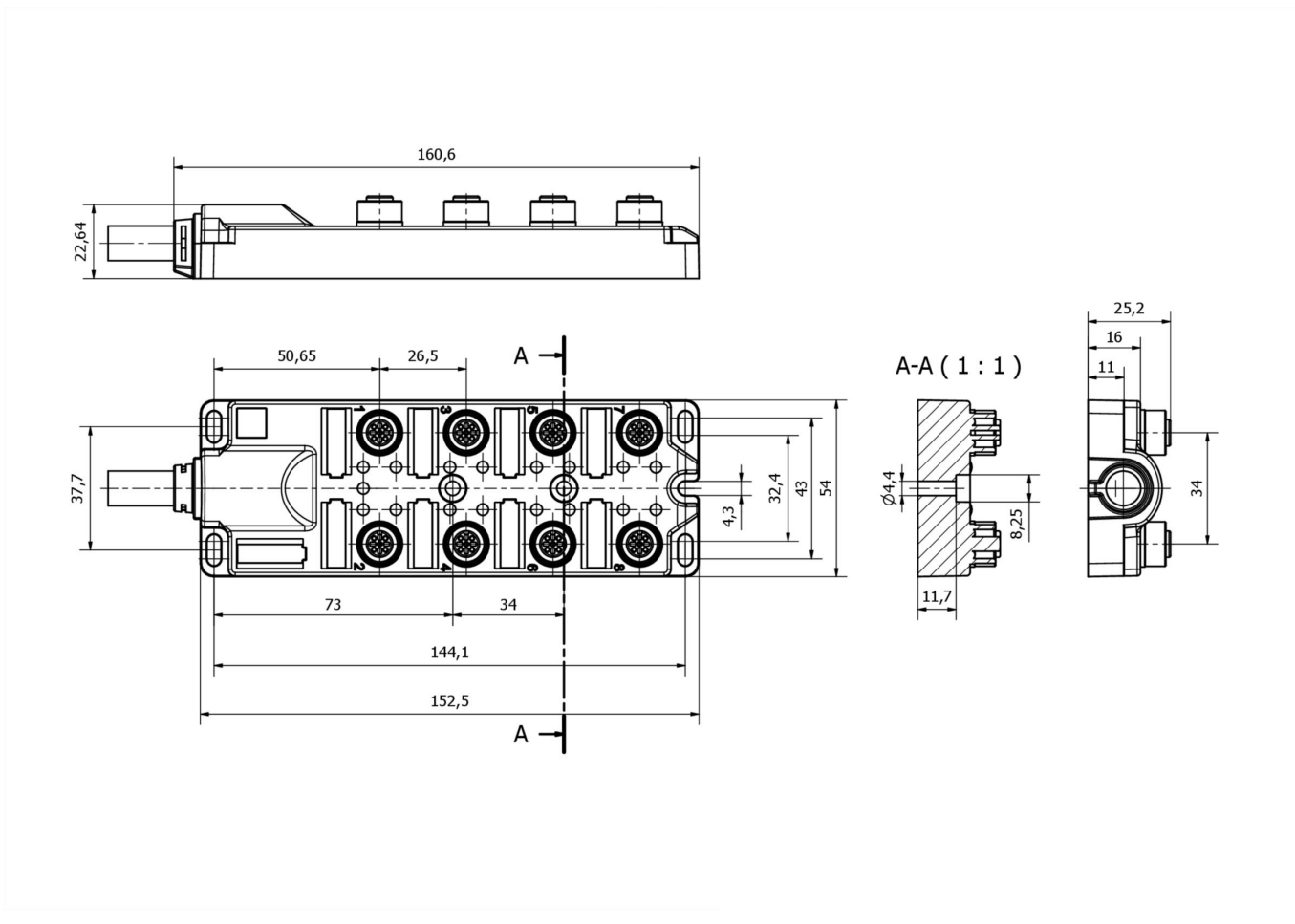
**More**

IPF Product Group	855 cable sockets / connectors (distributor, accessories, diverse)
packaging dimensions	450 x 350 x 80 mm
gross weight	1650 g
Customs tariff number	85444290
WEEE number	40951076
OzDS-compliant	Yes
POP-compliant	Yes
Reach-compliant	Yes
RoHS-compliant	Yes

**Connection**



**Dimensional drawing**



**Extract accessories program**

**VK000004**



Screw plug, M12x1.5, plastic, black

**AV000135**



Labeling material, Label, 2, 6x20x9mm, Plastic,

**AY000141**



Plastic sheath, Ø17mm, Inner diameter 10mm, -40-250°C, Glass fiber with silicone rubber, Short-term resistance to weld spatter 1200°C, Tensile strength 400N, Flexible, Flame retardant, yard good

You can find further accessories on our homepage



**Installation**

Mounting / installation may only be carried out by a qualified electrician!



**Disposal**

WEEE number according to § 6 para. 3 ElektroG: 40951076

**Safety warnings**

/ Before initial operation, please make sure to follow all safety instructions that may be provided in the product information.

/ Never use these devices in applications where the safety of a person depends on their functionality.