

VKA05C44

Connection technology • Cable sockets / connectors pre-assembled on one side

Connection cable, 10m, M16 Female (socket) 12pin Straight, Free conductor end, 12wire, Other, 300V, IP67, Shielded, Suitable for trailing chain and torsion resistant, Oil and cooling lubricants



ipf cable sockets are used primarily for establishing the electrical connection of sensors. Their features are characterized by rugged design, the highest protection classes (IP67 | IP68 | IP69K) and, if desired, with 360° shielding. With the features: bus-ready, suitable for use with drag chains and robots, resistance to oil and chemicals, resistance to welding sparks, their resistance to cleaning agents or high-pressure and steam-jet cleaning, the expanded temperature range of up to +230°C, the rapid interconnection technology and special data transmission properties, the cable sockets meet all requirements in automation technology.

Electrical features

Type of plug-in contact, A connection	Female (socket)
Type of A electrical connection	M16
Type of B electrical connection	Free conductor end
Number of pins of A connection	12
Operating voltage (AC 50Hz)	300 V
Operating voltage (DC)	300 V
Shielded	Yes

Mechanical features

Number of cores	12
Cable length	10 m
Cable infeed of A connection	straight
Degree of protection (IP)	IP67
Material of cable sheath	other
Ambient temperature	-5 - 70 °C

Other features

Flame retardant	Yes
Suitable for trailing chain and torsion resistant	Yes
Oil and cooling lubricants	Yes

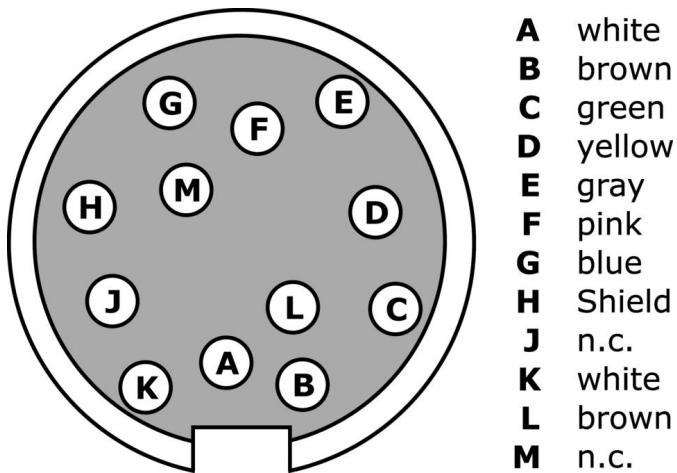
Classification

ETIM 8	EC001855 Assembled sensor-actuator cable
--------	--

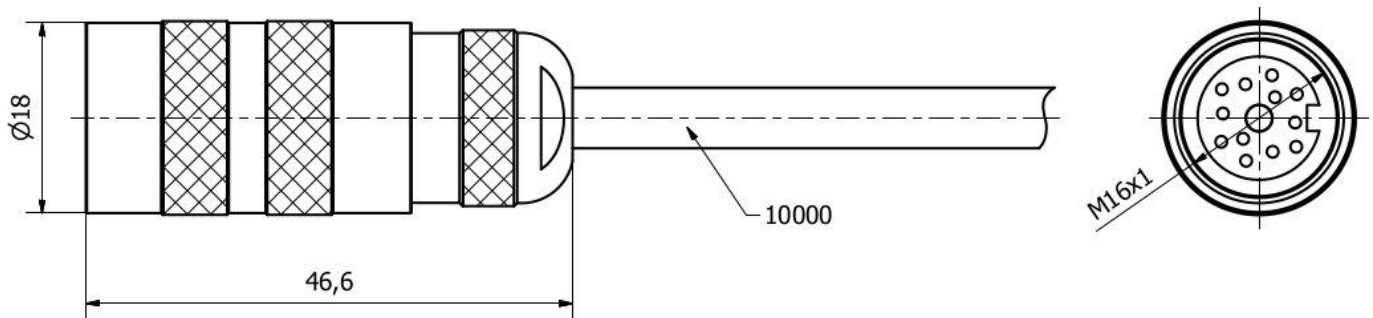
More

IPF Product Group	856 cable socket / cable connector (diverse)
packaging dimensions	300 x 200 mm
gross weight	575 g
Customs tariff number	85444290
WEEE number	40951076
Reach-compliant	Yes
RoHS-compliant	Yes

Connection



Dimensional drawing



Extract accessories program**AV98F001****AV98F002**

Tool, wrench insert for torque wrench, SW13

AY000141

Plastic sheath, Ø17mm, Inner diameter 10mm, -40-250°C, Glass fiber with silicone rubber, Short-term resistance to weld spatter 1200°C, Tensile strength 400N, Flexible, Flame retardant, yard good

AV000140

You can find further accessories on our homepage

**Installation**

Mounting / installation may only be carried out by a qualified electrician!

**Disposal**WEEE number according to § 6 para. 3
ElektroG: 40951076**Safety warnings**

/ Before initial operation, please make sure to follow all safety instructions that may be provided in the product information.

/ Never use these devices in applications where the safety of a person depends on their functionality.