

VKA0H021

Connection technology • Cable sockets / connectors pre-assembled on one side

Connection cable, 10m, M12 socket 3-pin angular, free cable end, 3x0.34mm², PTFE, Ø3.8mm, 250V, -20-150°C, IP65, oils and cooling lubricants, welding area



ipf cable sockets are used primarily for establishing the electrical connection of sensors. Their features are characterized by rugged design, the highest protection classes (IP67 | IP68 | IP69K) and, if desired, with 360° shielding. With the features: bus-ready, suitable for use with drag chains and robots, resistance to oil and chemicals, resistance to welding sparks, their resistance to cleaning agents or high-pressure and steam-jet cleaning, the expanded temperature range of up to +230°C, the rapid interconnection technology and special data transmission properties, the cable sockets meet all requirements in automation technology.

Electrical features

Type of plug-in contact, A connection	Female (socket)
Type of A electrical connection	M12
Type of B electrical connection	Free conductor end
Flow resistance	5 mOhm
Number of pins of A connection	3
Ampacity	4 A
Operating voltage (AC 50Hz)	250 V
Operating voltage (DC)	250 V

Mechanical features

Number of cores	3
Wire assembly	7 x 0.254mm
Conductor cross-section	0.34 mm ²
Cable length	10 m
Cable infeed of A connection	angular
Maximum tightening torque of connection A	1 Nm
Degree of protection (IP)	IP65
Contact coating material	Gold
Material of cable sheath	Plastic (PTFE)
Contact body material	Brass
Perm. ambient temperature of cable, fixed cable	-190 - 260 °C
Seawater-resistant	Yes
Material of the screw fitting	Brass
Ambient temperature	-20 - 150 °C
Line diameter	3.8 mm

Other features

Flame retardant	No
Hydrolysis-proof	Yes
Free of LABS	Yes
Ozone and UV-resistant	Yes
Welding area	Yes
Acid and alkali-resistant	Yes
Oil and cooling lubricants	Yes

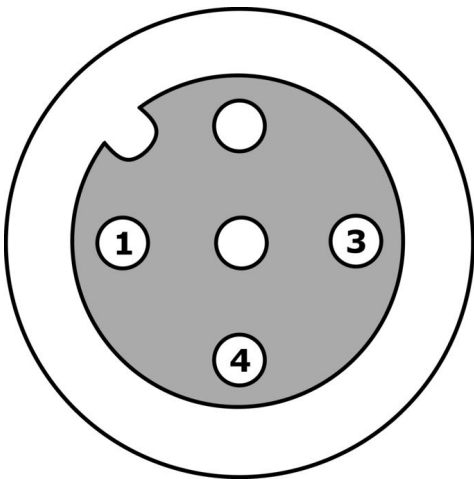
Classification

ETIM 8	EC001855 Assembled sensor-actuator cable
--------	--

More

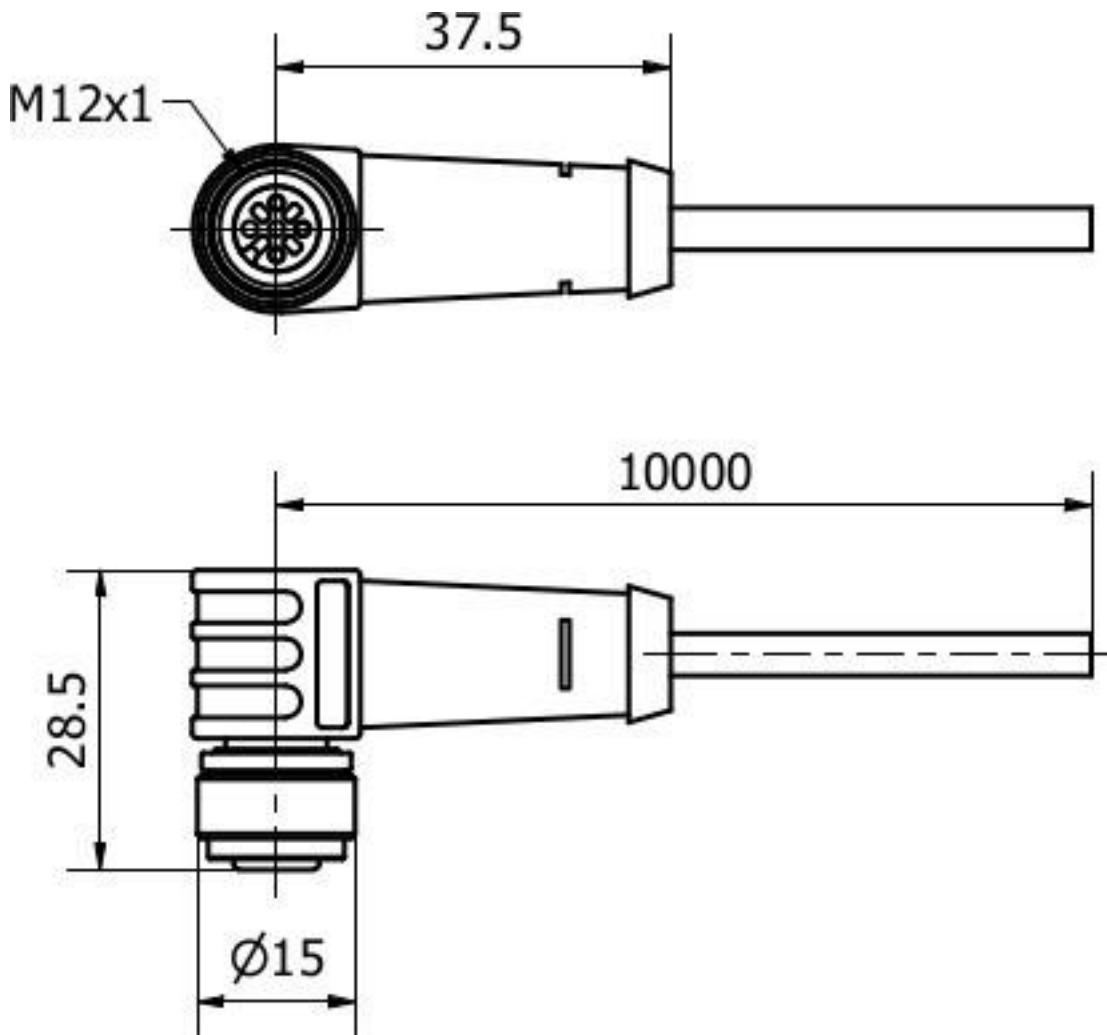
IPF Product Group	853 cable sockets / connectors (high temperature)
packaging dimensions	220 x 220 x 20 mm
gross weight	340 g
Customs tariff number	85444290
WEEE number	40951076
OzDS-compliant	Yes
POP-compliant	Yes
Reach-compliant	Yes
RoHS-compliant	Yes

Connection



- 1** brown
- 3** blue
- 4** black

Dimensional drawing



Extract accessories program

AY000141



Plastic sheath, Ø17mm, Inner diameter 10mm, -40-250°C, Glass fiber with silicone rubber, Short-term resistance to weld spatter 1200°C, Tensile strength 400N, Flexible, Flame retardant, yard good

AV98F001



AV98F002



Tool, wrench insert for torque wrench, SW13

AV000140



You can find further accessories on our homepage

**Installation**

Mounting / installation may only be carried out by a qualified electrician!

**Disposal**

WEEE number according to § 6 para. 3
ElektroG: 40951076

Safety warnings

- / Before initial operation, please make sure to follow all safety instructions that may be provided in the product information.
- / Never use these devices in applications where the safety of a person depends on their functionality.