

VKAE0071

Connection technology • Cable sockets / connectors pre-assembled on one side

Connection cable, 15m, M8 socket 3-pin angular, free cable end, 3x0.34mm², PUR (polyurethane), suitable for trailing chain and torsion resistant, oils and cooling lubricants, welding area, silicone-free



ipf cable sockets are mainly used for the electrical connection of sensors. Their properties are characterized by the robust version, in the highest degrees of protection (IP67 | IP68 | IP69K) and with 360° shielding on request. With the features: bus-compatible, drag chain and robot-compatible, oil and chemical-resistant, welding spark-resistant, cleaning agent-resistant or resistant to high-pressure and steam jet cleaning, the enlarged temperature range up to +230°C, rapid interconnection (technology) or special data transmission properties, the cable sockets meet all the requirements of automation technology.

Electrical features

Type of plug-in contact, A connection	Female (socket)
Type of A electrical connection	M8
Type of B electrical connection	Free conductor end
Number of pins of A connection	3
Operating voltage (AC 50Hz)	60 V
Operating voltage (DC)	60 V
Coding of connection A	A

Mechanical features

Number of cores	3
Conductor cross-section	0.34 mm ²
Cable length	15 m
Cable infeed of A connection	angular
Maximum tightening torque of connection A	0.6 Nm
bending cycles	5 million cycles
Torsion cycles	+/-360°/m, ≥ 2 million cycles
Material of cable sheath	Kunststoff (PUR)
Material of the screw fitting	Brass
Line diameter	4.4 mm
ardTEME_Werkstoffeigenschaften	Halogenfrei Hydrolysefest LABS-frei Ozonbeständig Silikonfrei UV-Beständig
ardTEME_Umgebungsbestaendigkeiten	Öle Kühlschmiermittel

Other features

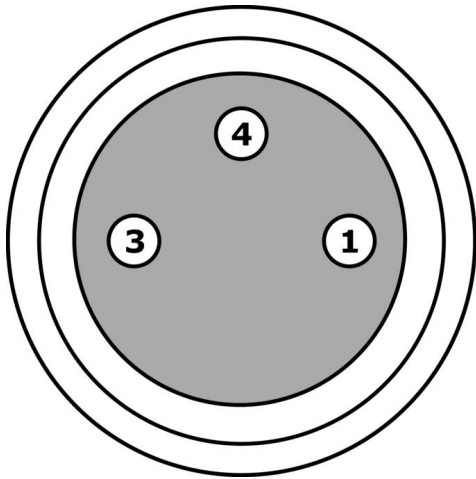
Flame retardant	in accordance with EN 60332-2-2
ardTE00_Anwendungen	Schleppkettentauglich Schweißbereich

Classification

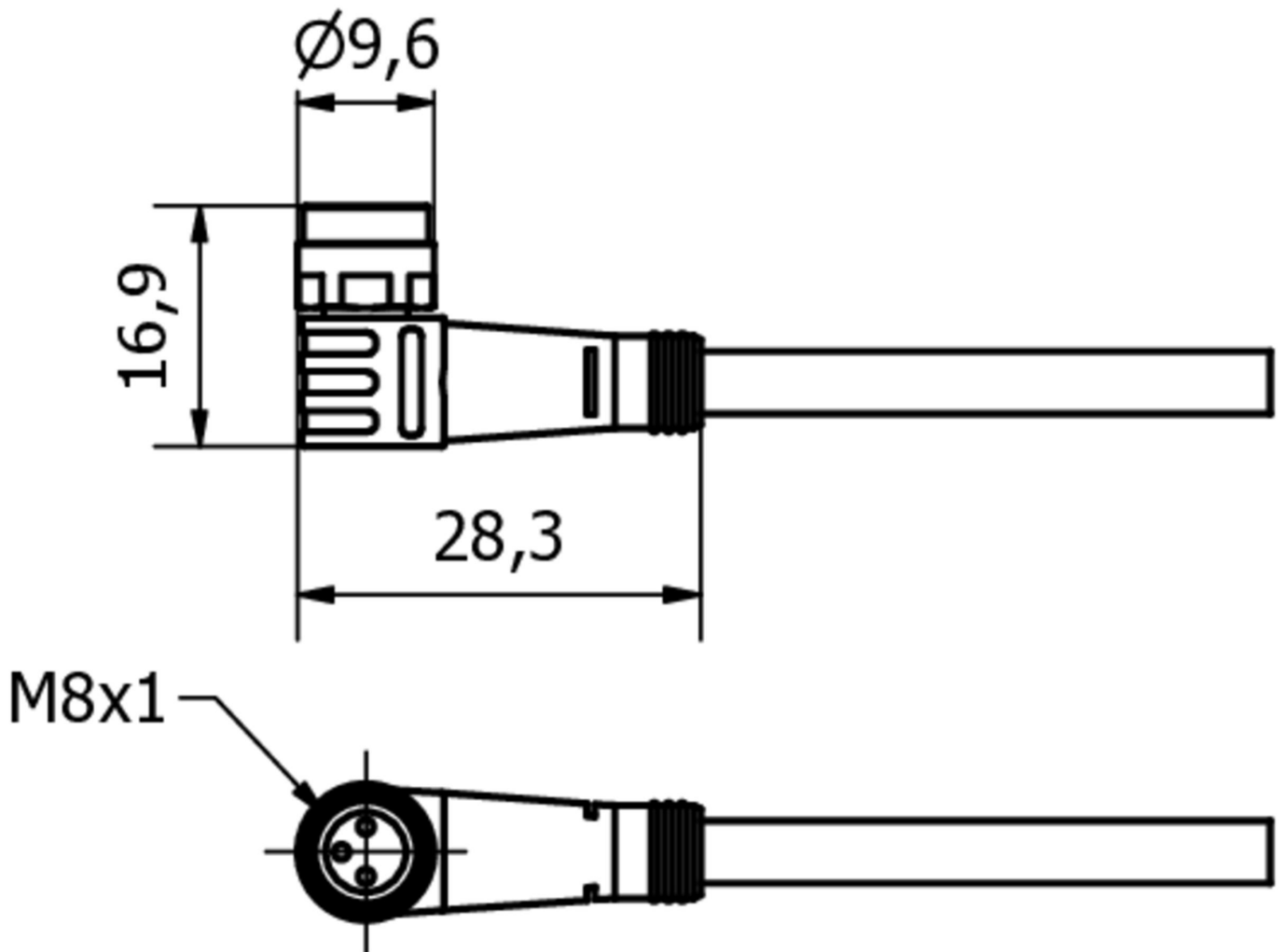
ETIM 8	EC001855 Assembled sensor-actuator cable
--------	--

More

IPF Product Group	850 cable sockets / connectors (one side ready made)
packaging dimensions	190 x 190 x 45 mm
gross weight	250 g
Customs tariff number	85444290
WEEE number	40951076
OzDS-compliant	Yes
POP-compliant	Yes
Reach-compliant	Yes
RoHS-compliant	Yes

Connection**1** brown**3** blue**4** black

Dimensional drawing



Extract accessories program

AV000116



Labeling material, Label sleeve,
30mm long, Cable diameter 3.7-6.
2mm, Plastic, Transparent

AV98F001



AV98F002



Tool, wrench insert for torque
wrench, SW13

AV000130



Tool, Wire stripper,
28x166x102mm, Skinning range
diameter 4.4-7mm, Plastic

AV000132



Tool, Wire stripper,
28x166x102mm, Skinning range
diameter 3.2-4.4mm, Plastic

AY000141



Plastic sheath, Ø17mm, Inner
diameter 10mm, -40-250°C, Glass
fiber with silicone rubber, Short-
term resistance to weld spatter
1200°C, Tensile strength 400N,
Flexible, Flame retardant, yard
good

AV000140



You can find further accessories on our homepage



Installation

Mounting / installation may only be carried
out by a qualified electrician!



Disposal

WEEE number according to § 6 para. 3
ElektroG: 40951076

Safety warnings

/ Before initial operation, please make sure to follow all safety instructions that may be provided in the product information.

/ Never use these devices in applications where the safety of a person depends on their functionality.