

## VKAE0321

### Connection technology • Cable sockets / connectors pre-assembled on one side

Connection cable, 15m, M12 socket 4-pin angular, free cable end, 4-core, PUR (polyurethane), Ø4.7mm, suitable for trailing chain and torsion resistant, oils and cooling lubricants, welding area, silicone-free



ipf cable sockets are mainly used for the electrical connection of sensors. Their properties are characterized by the robust version, in the highest degrees of protection (IP67 | IP68 | IP69K) and with 360° shielding on request. With the features: bus-compatible, drag chain and robot-compatible, oil and chemical-resistant, welding spark-resistant, cleaning agent-resistant or resistant to high-pressure and steam jet cleaning, the enlarged temperature range up to +230°C, rapid interconnection (technology) or special data transmission properties, the cable sockets meet all the requirements of automation technology.

#### Electrical features

Type of plug-in contact, A connection	Female (socket)
Type of A electrical connection	M12
Type of B electrical connection	Free conductor end
Number of pins of A connection	4
Operating voltage (AC 50Hz)	60 V
Operating voltage (DC)	60 V
Coding of connection A	A

**Mechanical features**

Core insulation material	Plastic (PP)
Number of cores	4
Wire assembly	42 x 0.1mm
Wire cross section	0,34 mm <sup>2</sup>
Cable length	15 m
Cable infeed of A connection	angular
Maximum tightening torque of connection A	1 Nm
bending cycles	5 million cycles
Torsion cycles	+/-360°/m, ≥ 2 million cycles
Contact coating material	Gold
Housing material	TPU
Material of cable sheath	Kunststoff (PUR)
Contact body material	CuSn
Perm. ambient temperature of cable, fixed cable	-40 - 90 °C
Perm. ambient temperature of cable, flexible cable	-30 - 90 °C
Material of the screw fitting	Nickel-plated (n-pltd) brass
Ambient temperature	-30 - 90 °C
Line diameter	4.7 mm
ardTEME_Werkstoffeigenschaften	Halogenfrei   Hydrolysefest   LABS-frei   Ozonbeständig   Silikonfrei   UV-Beständig
ardTEME_Umgebungsbestaendigkeiten	Öle   Kühlschmiermittel

**Other features**

Flame retardant	in accordance with EN 60332-2-2
ardTE00_Anwendungen	Schleppkettentauglich   Schweißbereich

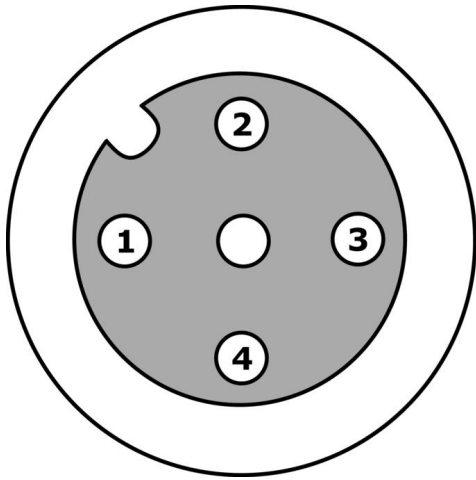
**Classification**

ETIM 8	EC001855 Assembled sensor-actuator cable
--------	--

**More**

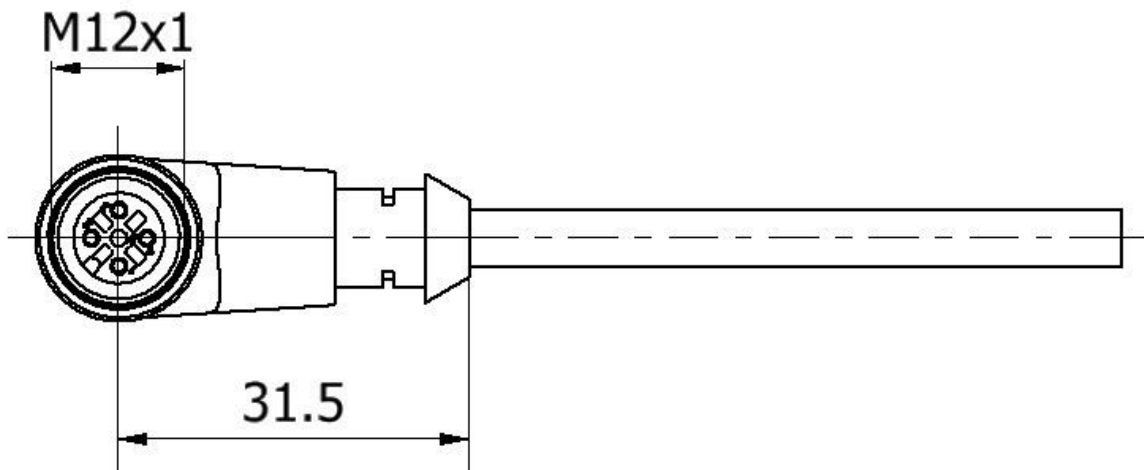
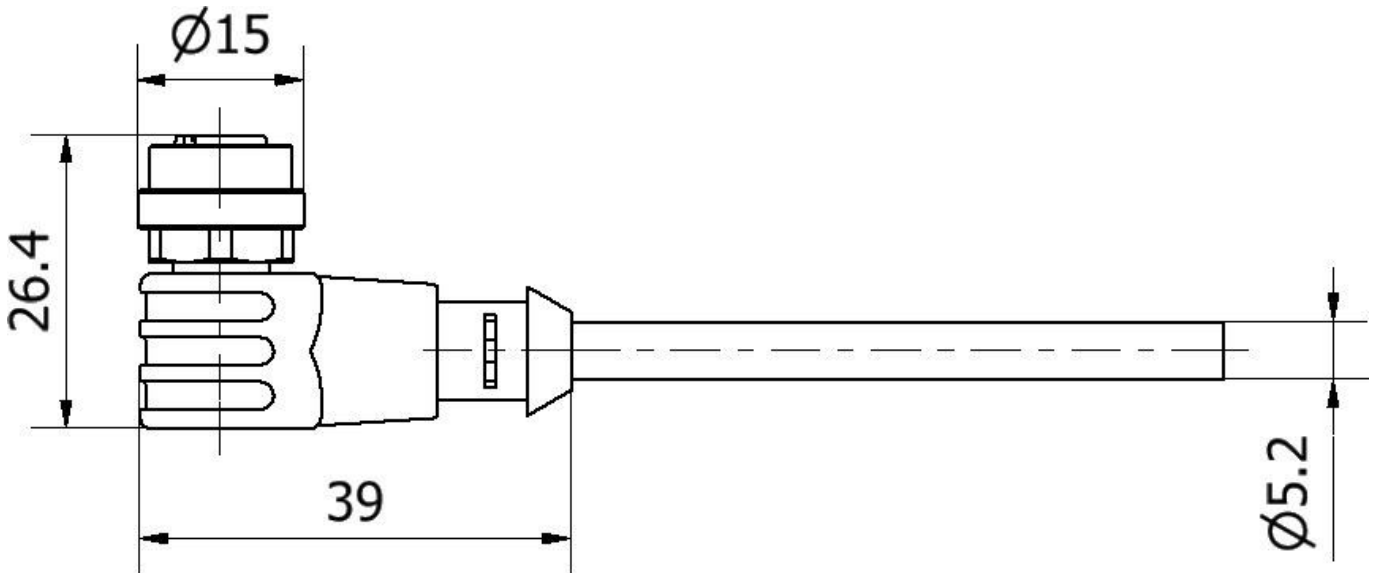
IPF Product Group	850 cable sockets / connectors (one side ready made)
packaging dimensions	200 x 200 x 30 mm
gross weight	460 g
Customs tariff number	85444290
WEEE number	40951076
OzDS-compliant	Yes
POP-compliant	Yes
Reach-compliant	Yes
RoHS-compliant	Yes

Connection



- 1** brown
- 2** white
- 3** blue
- 4** black

Dimensional drawing



**Extract accessories program**

**AY000141**



Plastic sheath, Ø17mm, Inner diameter 10mm, -40-250°C, Glass fiber with silicone rubber, Short-term resistance to weld spatter 1200°C, Tensile strength 400N, Flexible, Flame retardant, yard good

**AV98F001**



**AV98F002**



Tool, wrench insert for torque wrench, SW13

**AV000130**



Tool, Wire stripper, 28x166x102mm, Skinning range diameter 4.4-7mm, Plastic

**AV000132**



Tool, Wire stripper, 28x166x102mm, Skinning range diameter 3.2-4.4mm, Plastic

**AV000116**



Labeling material, Label sleeve, 30mm long, Cable diameter 3.7-6.2mm, Plastic, Transparent

**AV000140**



You can find further accessories on our homepage



**Installation**

Mounting / installation may only be carried out by a qualified electrician!



**Disposal**

WEEE number according to § 6 para. 3 ElektroG: 40951076

**Safety warnings**

/ Before initial operation, please make sure to follow all safety instructions that may be provided in the product information.

/ Never use these devices in applications where the safety of a person depends on their functionality.