

## VKAE6F41

### Connection technology • Cable sockets / connectors pre-assembled on two sides

Connection cable, 15m, Lemo socket 2-pin straight, M12-connector 2-pin straight, 2x0.34mm<sup>2</sup>, PTFE, -40-250°C



This connection cable has pre-wired connections on both sides. It can be used to cost-effectively integrate end devices with a plug connection via a distribution terminal or a logic module.

#### Electrical features

Type of plug-in contact, A connection	Female (socket)
Type of plug-in contact, B connection	Male (connector)
Type of A electrical connection	Lemo
Type of B electrical connection	M12
Number of pins of A connection	2
Number of pins of B connection	2

#### Mechanical features

Number of cores	2
Wire assembly	7 x 0.25mm
Conductor cross-section	0.34 mm <sup>2</sup>
Cable length	15 m
Cable infeed of A connection	straight
Cable infeed of B connection	straight
Material of cable sheath	Plastic (PTFE)
Perm. ambient temperature of cable, fixed cable	-40 - 250 °C

#### Other features

Flame retardant	No
-----------------	----

#### Classification

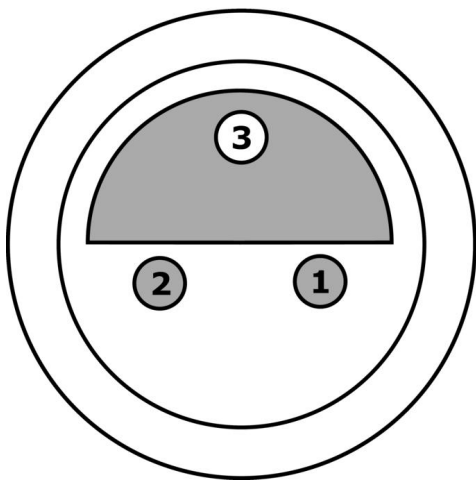
ETIM 8	EC001855 Assembled sensor-actuator cable
--------	--

**More**

IPF Product Group	853 cable sockets / connectors (high temperature)
packaging dimensions	375 x 250 x 35 mm
gross weight	400 g
Customs tariff number	85444290
WEEE number	40951076
Reach-compliant	Yes
RoHS-compliant	Yes

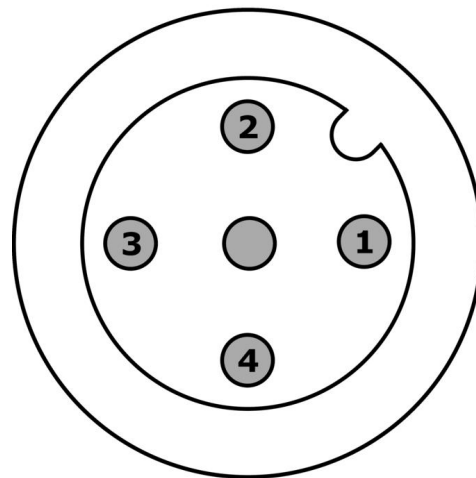
**Connection**

**socket**



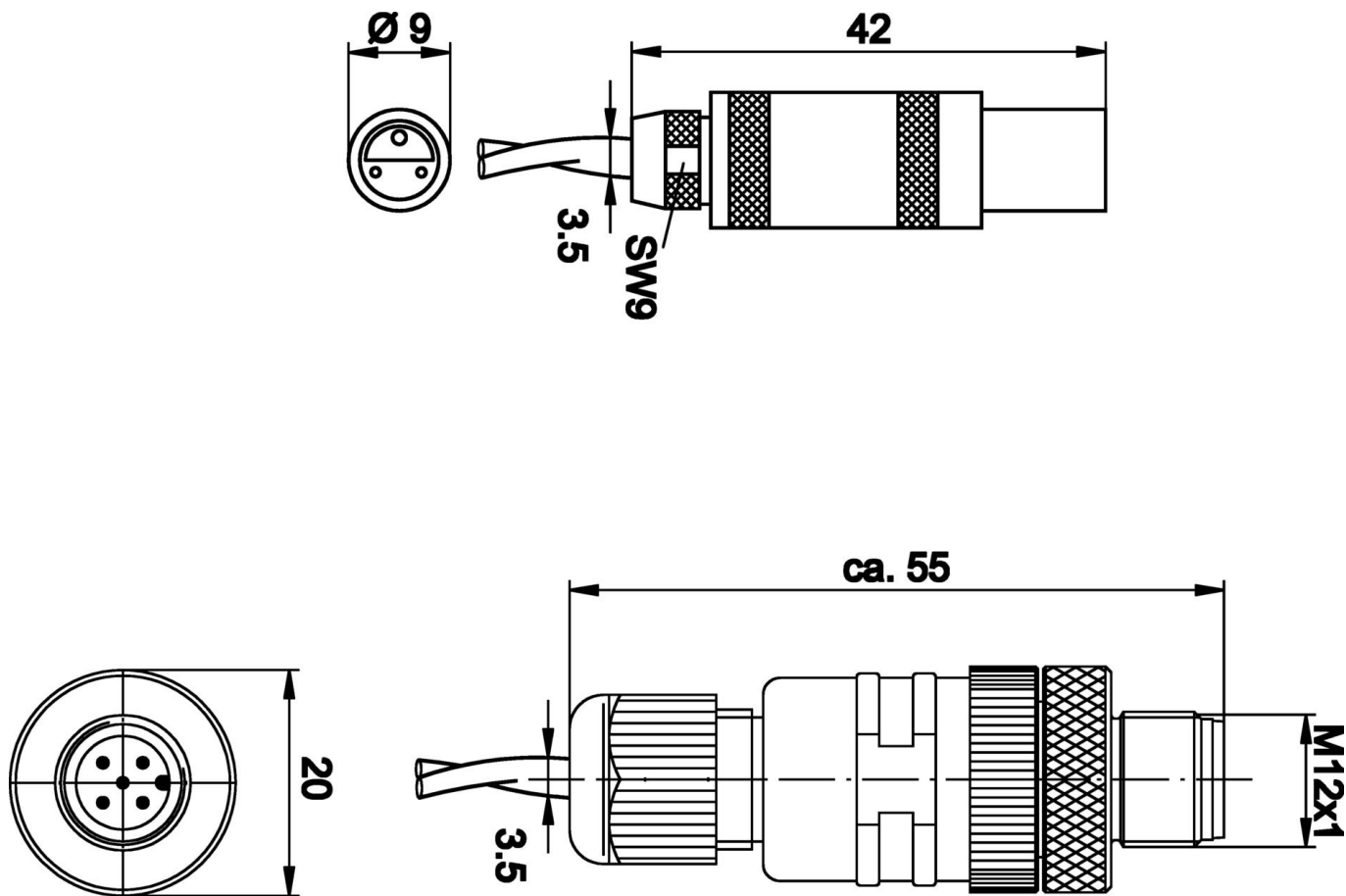
- 1** brown
- 2** Shield
- 3** blue

**connector**



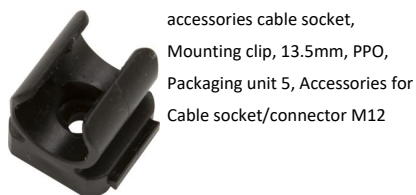
- 1** brown
- 2** brown
- 3** blue
- 4**

**Dimensional drawing**



**Extract accessories program**

**AV000141**



accessories cable socket,  
Mounting clip, 13.5mm, PPO,  
Packaging unit 5, Accessories for  
Cable socket/connector M12

**AY000141**



Plastic sheath,  $\varnothing 17$ mm, Inner  
diameter 10mm, -40-250°C, Glass  
fiber with silicone rubber, Short-  
term resistance to weld spatter  
1200°C, Tensile strength 400N,  
Flexible, Flame retardant, yard  
good

**AV000140**



You can find further accessories on our homepage



**Installation**

Mounting / installation may only be carried out by a qualified electrician!



**Disposal**

WEEE number according to § 6 para. 3  
ElektroG: 40951076

**Safety warnings**

/ Before initial operation, please make sure to follow all safety instructions that may be provided in the product information.

/ Never use these devices in applications where the safety of a person depends on their functionality.