

VKAEF002

Connection technology • Cable sockets / connectors pre-assembled on one side

Connection cable, 15m, MS3106-A connector 2-pin angular, open end, 2x0.25mm², PUR (polyurethane) black, -50-121°C, shielded, suitable for trailing chain and torsion resistant, oils and cooling lubricants, welding range



ipf cable sockets are mainly used for the electrical connection of sensors. Their properties are characterized by the robust version, in the highest degrees of protection (IP67 | IP68 | IP69K) and with 360° shielding on request. With the features: bus-compatible, drag chain and robot-compatible, oil and chemical-resistant, welding spark-resistant, cleaning agent-resistant or resistant to high-pressure and steam jet cleaning, the enlarged temperature range up to +230°C, rapid interconnection (technology) or special data transmission properties, the cable sockets meet all the requirements of automation technology.

Electrical features

Type of plug-in contact, A connection	Female (socket)
Type of electrical connection	Plug-in connection
Type of B electrical connection	Free conductor end
Number of pins of A connection	2
Number of pins of B connection	2
Shielded	Yes

Mechanical features

Number of cores	2
Cable sheath color	black
Cable length	15 m
Cable infeed of A connection	angular
Material of cable sheath	Plastic (PUR)
Perm. ambient temperature of cable, fixed cable	-50 - 121 °C

Classification

ETIM 8

More

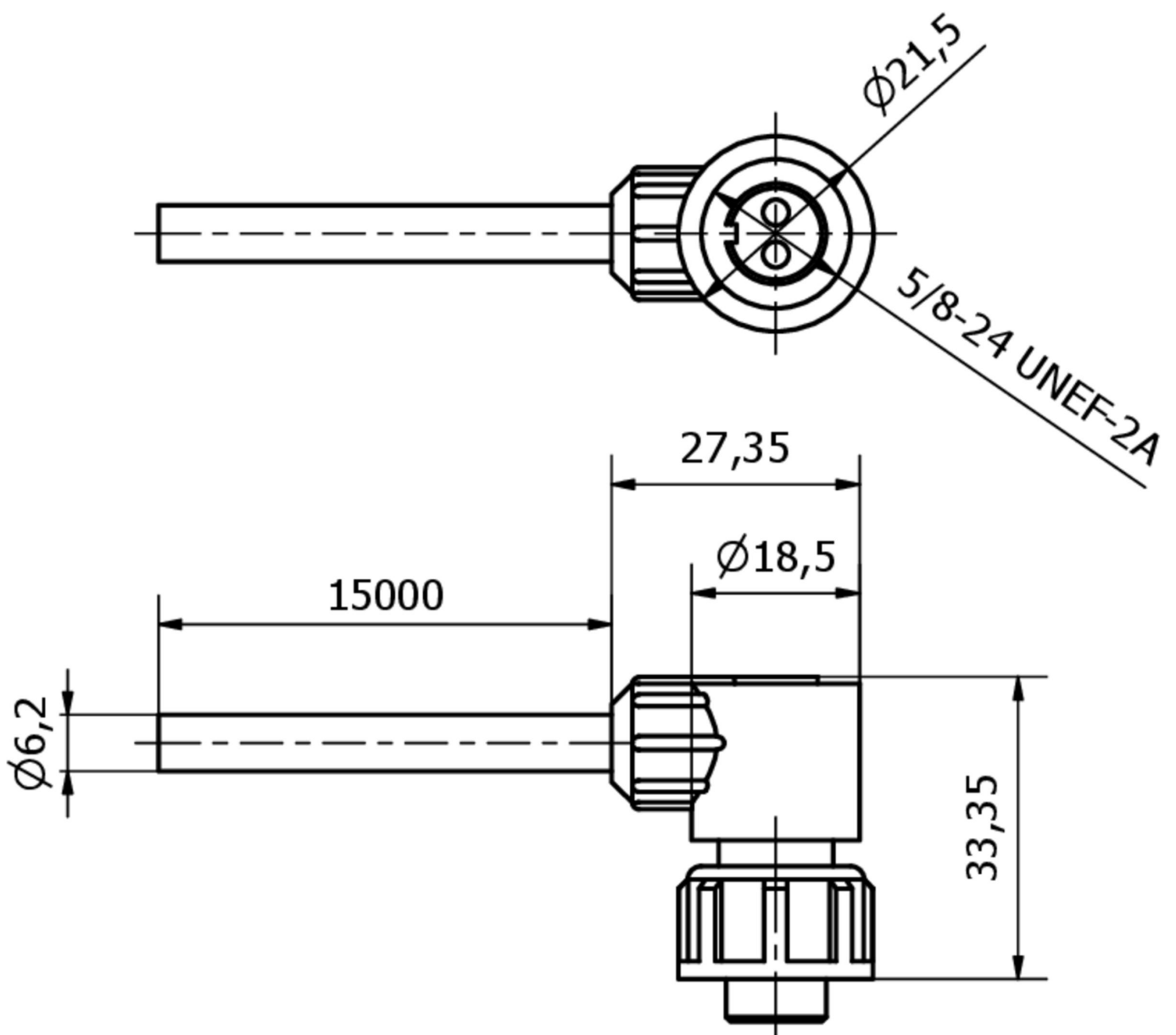
IPF Product Group	735 Gateway and accessories
packaging dimensions	350 x 250 x 40 mm
gross weight	945 g
Customs tariff number	85444290
WEEE number	40951076
Reach-compliant	Yes
RoHS-compliant	Yes

Connection

A red

B blue

Dimensional drawing



**Installation**

Mounting / installation may only be carried out by a qualified electrician!

**Disposal**

WEEE number according to § 6 para. 3
ElektroG: 40951076

Safety warnings

- / Before initial operation, please make sure to follow all safety instructions that may be provided in the product information.
- / Never use these devices in applications where the safety of a person depends on their functionality.