

VKB06F41

Connection technology • Cable sockets / connectors pre-assembled on two sides

Connection cable, 20m, Lemo socket 2-pin straight, M12-connector straight, 2x0.34mm², PTFE, -40-250°C



This connection cable has pre-wired connections on both sides. It can be used to cost-effectively integrate end devices with a plug connection via a distribution terminal or a logic module.

Electrical features

Type of plug-in contact, A connection	Female (socket)
Type of plug-in contact, B connection	Male (connector)
Type of A electrical connection	Lemo
Type of B electrical connection	M12
Number of pins of A connection	2
Number of pins of B connection	2

Mechanical features

Number of cores	2
Wire assembly	7 x 0.25mm
Conductor cross-section	0.34 mm ²
Cable length	20 m
Cable infeed of A connection	straight
Cable infeed of B connection	straight
Material of cable sheath	Plastic (PTFE)
Perm. ambient temperature of cable, fixed cable	-40 - 250 °C

Other features

Flame retardant	No
-----------------	----

Classification

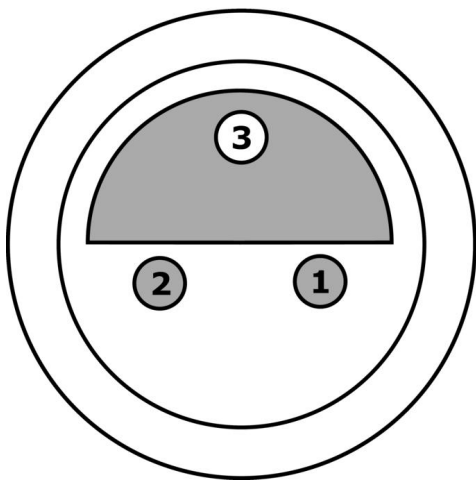
ETIM 8	EC001855 Assembled sensor-actuator cable
--------	--

More

IPF Product Group	853 cable sockets / connectors (high temperature)
packaging dimensions	375 x 250 x 35 mm
gross weight	468 g
Customs tariff number	85444290
WEEE number	40951076
Reach-compliant	Yes
RoHS-compliant	Yes

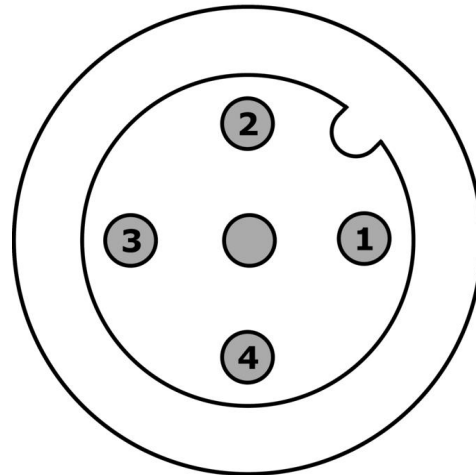
Connection

socket



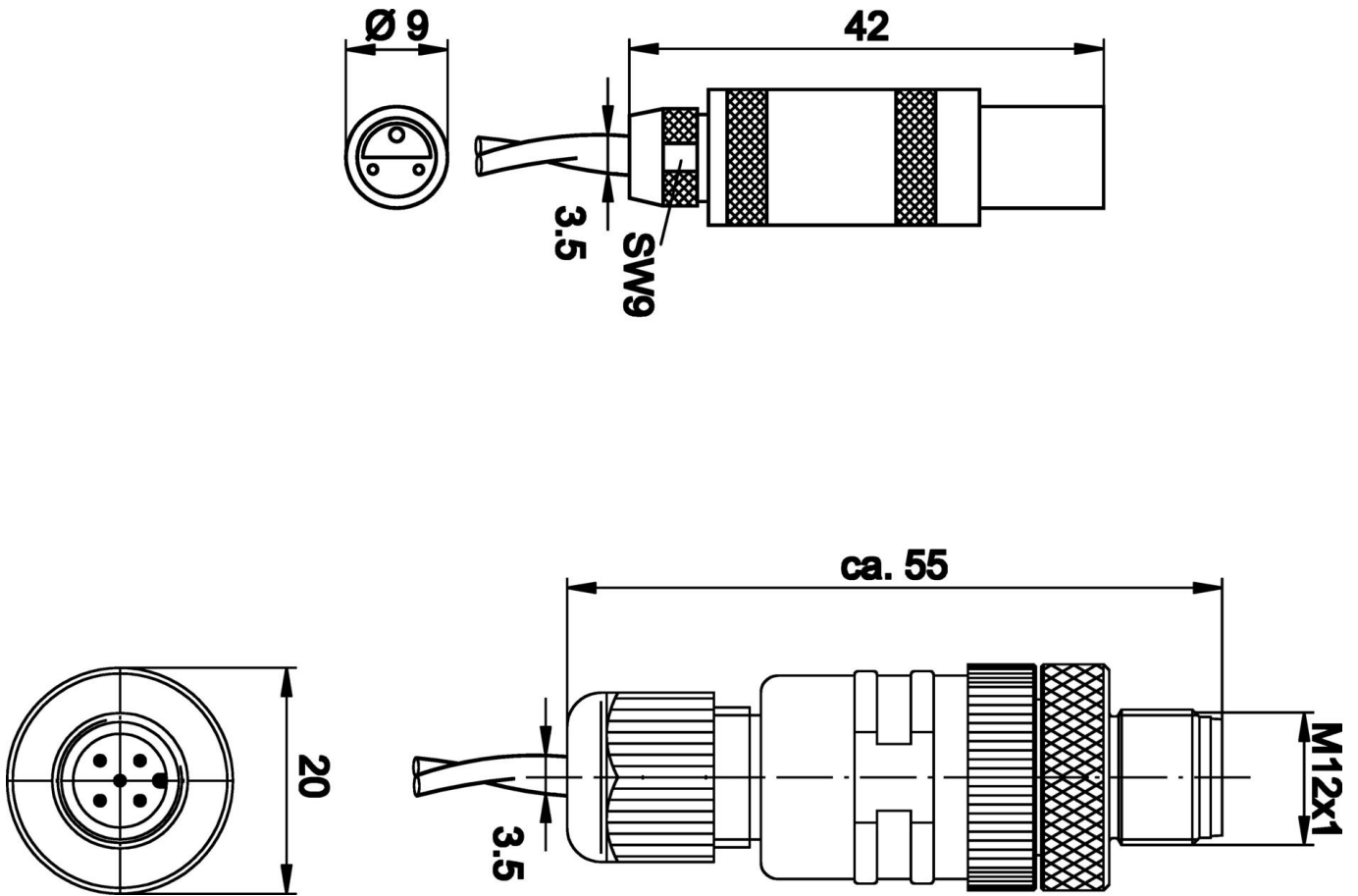
- 1** brown
- 2** Shield
- 3** blue

connector



- 1** brown
- 2** brown
- 3** blue
- 4**

Dimensional drawing



Extract accessories program

AV000141



accessories cable socket,
Mounting clip, 13.5mm, PPO,
Packaging unit 5, Accessories for
Cable socket/connector M12

AY000141



Plastic sheath, $\text{Ø}17\text{mm}$, Inner
diameter 10mm , $-40\text{-}250^\circ\text{C}$, Glass
fiber with silicone rubber, Short-
term resistance to weld spatter
 1200°C , Tensile strength 400N ,
Flexible, Flame retardant, yard
good

AV000140



You can find further accessories on our homepage



Installation

Mounting / installation may only be carried
out by a qualified electrician!



Disposal

WEEE number according to § 6 para. 3
ElektroG: 40951076

Safety warnings

/ Before initial operation, please make sure to follow all safety instructions that may be provided in the product information.

/ Never use these devices in applications where the safety of a person depends on their functionality.