

## VKSI0297

### Connection technology • Interface converter

Connection cable RS232/Ethernet, 0.5m, M5 connector 4-pin straight, M12 connector 4-pin straight, D-coding, PUR (polyurethane), aluminum



This shielded cable can be used to transmit complex information digitally into a network for further processing. The connections are pre-wired.

The VKSI0297 is equipped with a 4-pin M9 connector on the device side and a 4-pin D-coded M12-connector on the network side.

#### Electrical features

Type of plug-in contact, A connection	Male (connector)
Type of plug-in contact, B connection	Male (connector)
Type of A electrical connection	M5
Type of B electrical connection	M12
Number of pins of A connection	4
Number of pins of B connection	4
Supported communication interface	RS232
Shielded	Yes
Coding of connection B	D

#### Mechanical features

Cable length	0.5 m
Cable infeed of A connection	straight
Cable infeed of B connection	straight
Housing material	Aluminum
Material of cable sheath	Kunststoff (PUR)
Ambient temperature	-25 - 65 °C

#### Classification

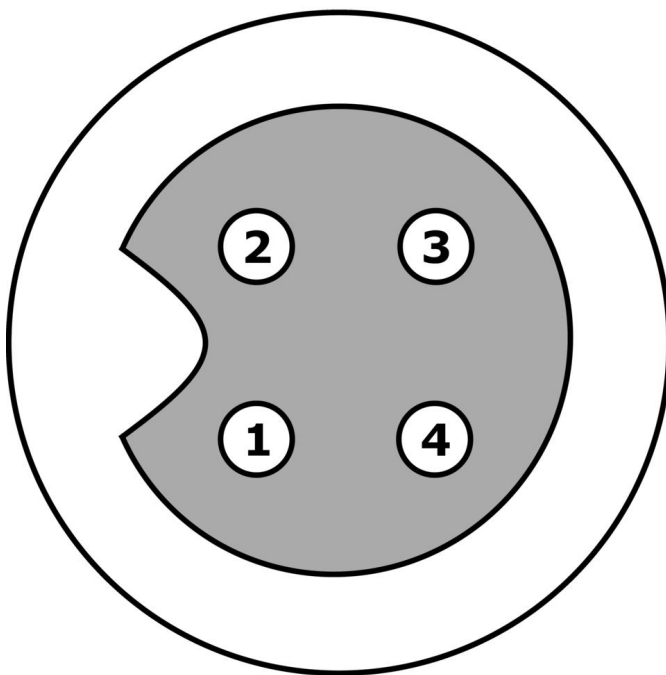
ETIM 8	EC001408 PC cable
--------	-------------------

**More**

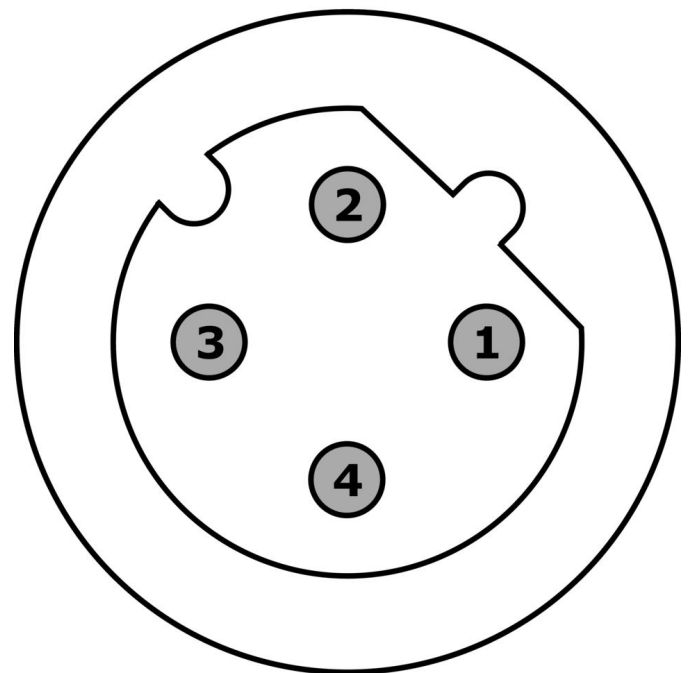
IPF Product Group	705 special devices (SI)
packaging dimensions	160 x 99 x 60 mm
gross weight	190 g
Customs tariff number	85444290
WEEE number	40951076
Reach-compliant	Yes
RoHS-compliant	Yes

**Connection**

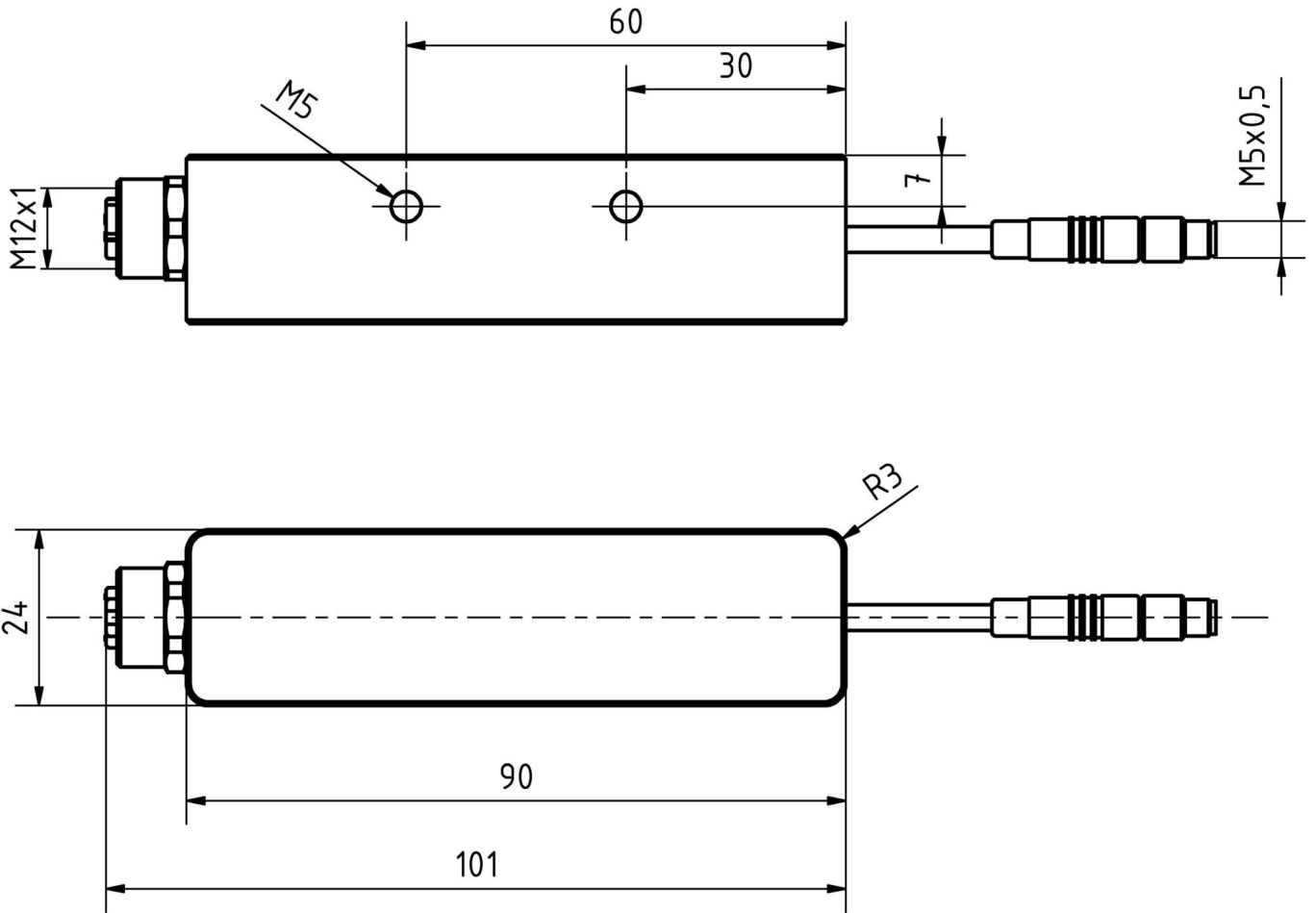
**socket**



**connector**



**Dimensional drawing**



**Extract accessories program**

**AY000141**



Plastic sheath, Ø17mm, Inner diameter 10mm, -40-250°C, Glass fiber with silicone rubber, Short-term resistance to weld spatter 1200°C, Tensile strength 400N, Flexible, Flame retardant, yard good

**VK10E254**



Data cable, Connection cable, 1m, M12 Male (connector) 4pin Straight, D-coding, M12 Male (connector) 4pin Straight, D-coding, 0.14mm<sup>2</sup>, Category 5E, -40-75°C, TPU, Shielded

**VK20E255**



Data cable, Connection cable, 2m, M12 Male (connector) 4pin Straight, D-coding, M12 Male (connector) 4pin Straight, D-coding, 4x0.14mm<sup>2</sup>, Category 5E, -40-75°C, TPU, Shielded

**VK108F25**



Data cable, connection cable, 1m, M12 connector 4-pin straight, D-coding, RJ45 connector 8-pin straight, 4x0.14mm<sup>2</sup>, category 5E, -40-75°C, TPU, shielded

**VKA08F25**



Data cable, connection cable, 10m, M12 connector 4-pin straight, D-coding, RJ45 connector 4-pin straight, 4x0.14mm<sup>2</sup>, category 5E, -40-75°C, TPU, shielded

You can find further accessories on our homepage



**Installation**

Mounting / installation may only be carried out by a qualified electrician!



**Disposal**

WEEE number according to § 6 para. 3 ElektroG: 40951076

---

**Safety warnings**

- /** Before initial operation, please make sure to follow all safety instructions that may be provided in the product information.
- /** Never use these devices in applications where the safety of a person depends on their functionality.
- /** Any software, drivers or IODD files that may be required to operate your device can be downloaded free of charge from our homepage: [www.ipf-electronic.com](http://www.ipf-electronic.com)