

VL31010A

Logic module • Logic modules

Logic module, 27x150x31mm, AND/OR, 10fold, 10-30V DC, -30-85°C, sensor side M8 Female (socket) 3pin, control side M12 Male (connector) 4pin, IP67, Plastic



Connecting digital signals directly at the machine can contribute to significant cost and effort minimization. A classic application is the linking of different signals directly in the field. Thus, it is possible to avoid long line paths of many individual devices, which significantly reduces the wiring effort and the need for control inputs. All input signals on the logic modules are visualized by integrated LED and are electrically decoupled from each other. In this way, influences from one device to the other are reliably prevented. The outputs of the modules are overload-proof and the upcoming signal is also indicated by an LED. In addition to logical input signal connections such as AND and OR, versions with signal change control are also available. The ipf logic modules are available for DIN rail mounting or as field modules. Therefore and because of the robust housing, which is characterized by a high degree of protection against the penetration of dust and water, our devices can be used in all areas of machines, equipment and tools.

Electrical features

Number of inputs per logic unit	10
Number of electrical connections, A connection	10
Number of electrical connections, B connection	1
Number of logic units	2
Display	LED display
Type of A electrical connection	Connector M8
Type of B electrical connection	Connector M12
Rated switching current	200 mA
Logic	AND/OR
Number of pins of A connection	3
Number of pins of B connection	4
Operating voltage (DC)	10 - 30 V
Output logic	A1 = E1 \wedge E2 \wedge E3 \wedge E4 \wedge E5 \wedge E6 \wedge E7 \wedge E8 \wedge E9 \wedge E10 A2 = E1 \vee E2 \vee E3 \vee E4 \vee E5 \vee E6 \vee E7 \vee E8 \vee E9 \vee E10

Mechanical features

Width	30.6 mm
Height	27.3 mm
Length	149.7 mm
Mounting method	Screw mounting
Degree of protection (IP)	IP67
Housing material	Plastic
Ambient temperature	-30 - 85 °C

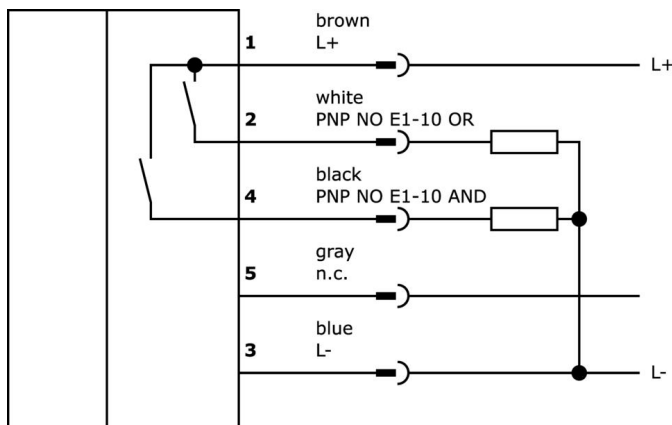
Classification

ETIM 8	EC001417 Logic module
--------	-----------------------

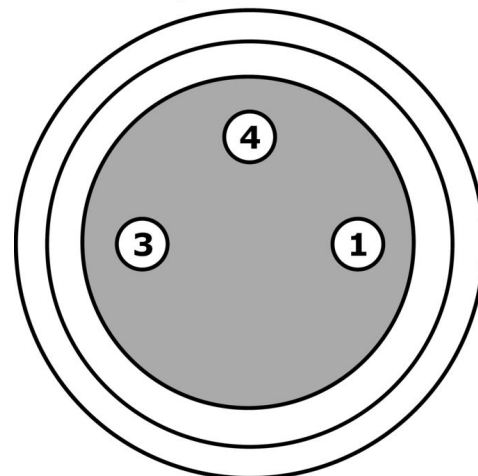
More

IPF Product Group	800 miscellaneous
packaging dimensions	200 x 150 x 28 mm
gross weight	138 g
Customs tariff number	85365005
WEEE number	40951076
OzDS-compliant	Yes
POP-compliant	Yes
Reach-compliant	Yes
RoHS-compliant	Yes

Connection

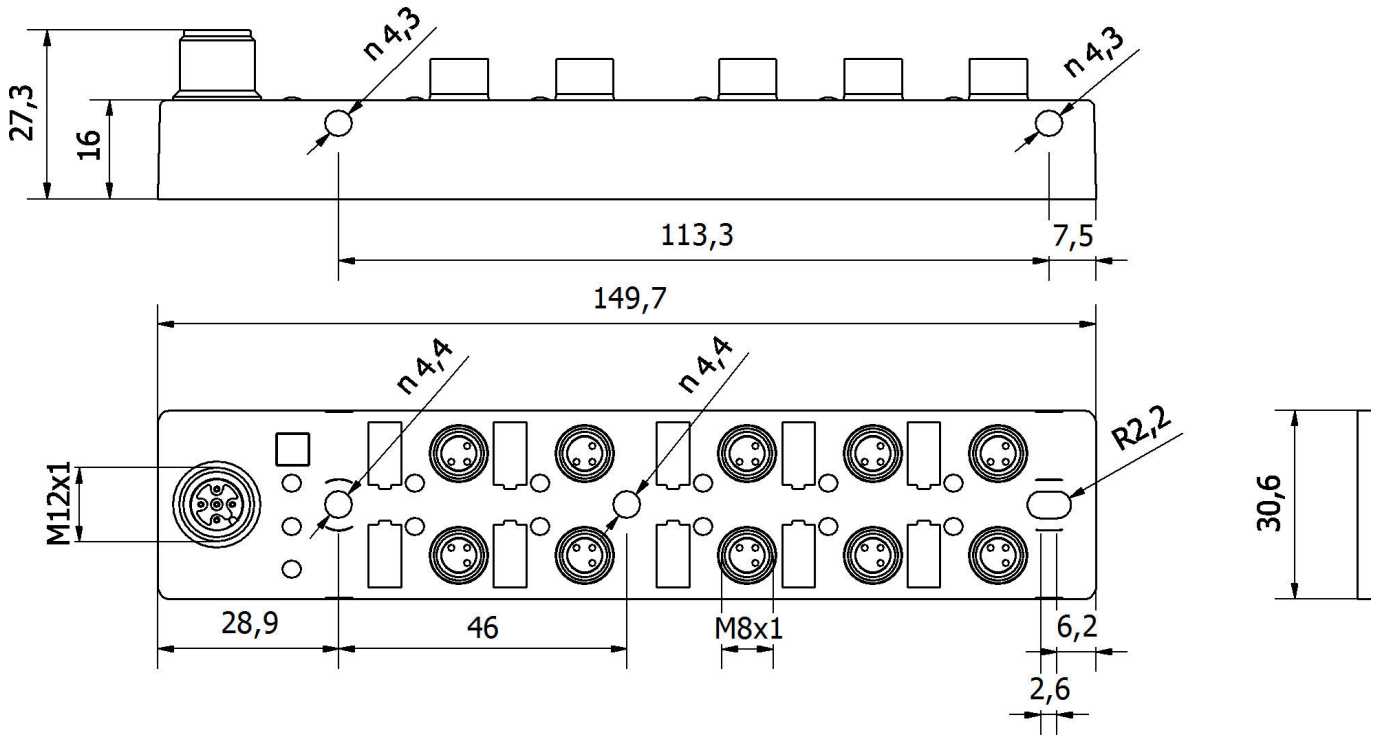


Inputs E1-10



- 1** brown
- 3** blue
- 4** black

Dimensional drawing



Extract accessories program

VK200321



Connection cable, 2m, M12
Female (socket) 4pin Angular, Free conductor end, 4x0.34mm², PUR (Polyurethane), Ø4.7mm, 250V, -40-90°C, IP67, Suitable for trailing chain and torsion resistant, Oil and cooling lubricants, Welding area, Silicone-free

VK200325



Connection cable, 2m, M12
Female (socket) 4pin Straight, Free conductor end, 4x0.34mm², PUR (Polyurethane), Ø4.7mm, 250V, -40-90°C, IP67, Suitable for trailing chain and torsion resistant, Oil and cooling lubricants, Welding area, Silicone-free

VK000042



Cable connector, PIN 1/4 bridged, Straight, simulation connector, Contacts compound-filled, M8 Male (connector) 3pin

VK000034



Screw plug, M8, Plastic, Black

AV000134



Labeling material, Label, 2, 5x10x5mm, Plastic, 10 identification labels, 2 screw plugs

VK200821



Connection cable, 2m, M12
Female (socket) 5pin Angular, Free conductor end, 5x0.34mm², PUR (Polyurethane), Ø5.2mm, 30V, -30-90°C, IP67, TPU, 4A, With LED display, Suitable for trailing chain and torsion resistant, Oil and cooling lubricants, Weldi...

VK200825



Connection cable, 2m, M12
Female (socket) 5pin Straight, Free conductor end, 5x0.34mm², PUR (Polyurethane), Ø5.2mm, 30V, -30-90°C, IP67, TPU, 4A, With LED display, Suitable for trailing chain and torsion resistant, Oil and cooling lubricants, Weld...

VK003021



Cable socket, Angular, Suitable for self-assembly, Screw connection, Ø3-6.5mm, 4A, 60V, -25-90°C, M12 Female (socket) 5pin, IP67, PBT

VK003025



Cable socket, Straight, Suitable for self-assembly, Screw connection, Ø3-6.5mm, 4A, 60V, -25-90°C, M12 Female (socket) 5pin, IP67, PBT

You can find further accessories on our homepage

**Installation**

Mounting / installation may only be carried out by a qualified electrician!

**Disposal**

WEEE number according to § 6 para. 3
ElektroG: 40951076

Safety warnings

- / Before initial operation, please make sure to follow all safety instructions that may be provided in the product information.
- / Never use these devices in applications where the safety of a person depends on their functionality.