

VL310304

Logic module • Logic modules

Logic module, 27x88x31mm, AND/OR, 4-gang, 10-30V DC, sensor side M8 socket 3-pin, control side M12 connector 4-pin, IP67, plastic, IO-Link



**IO-Link interface
bounce protection by pulse stretching**

Linking digital signals directly at the machine can contribute to a significant reduction in costs and effort. A classic application is the linking of different signals directly in the field. In this way, long cable runs of many individual devices can be avoided, this contributes to a significant minimization of the wiring effort and reduces the need for control inputs. All input signals on the logic modules are visualized by integrated LEDs and are electrically decoupled from each other. This reliably prevents influences from one device to the other. The outputs of the modules are overload-proof and the pending signal is also indicated via an LED. Along with logical input signal links such as AND or OR, versions with signal change control are also available. The ipf logic modules are available for DIN rail mounting or as field modules. Because of this and because of the robust housing, which is characterized by a high degree of protection against the ingress of dust and water, our devices can be used in all areas of machines, plants and tools.

Electrical features

Number of inputs per logic unit	4
Number of electrical connections, A connection	4
Number of electrical connections, B connection	1
Number of logic units	2
Display	LED display
Type of A electrical connection	Connector M8
Type of B electrical connection	Connector M12
Rated switching current	100 mA
Logic	AND/OR
Number of pins of A connection	3
Number of pins of B connection	4
Supported communication interface	IO-Link
Operating voltage (DC)	10 - 30 V

Mechanical features

Width	30.6 mm
Height	27.3 mm
Length	88.2 mm
Maximum tightening torque of connection A	0.6 Nm
Maximum tightening torque of connection B	1 Nm
Mounting method	Screw mounting
Degree of protection (IP)	IP67
Housing material	Plastic
Ambient temperature	-20 - 70 °C

Other features

IO-Link version	V1.1
-----------------	------

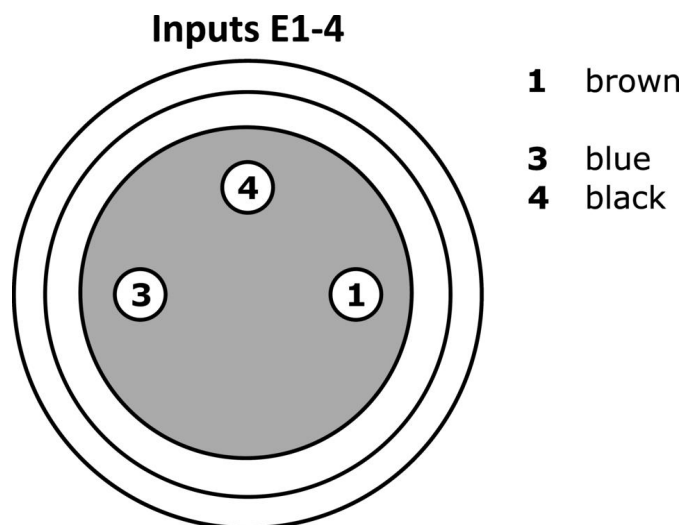
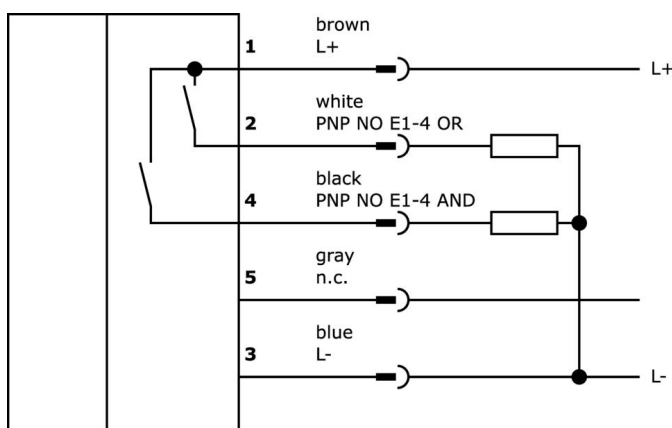
Classification

ETIM 8	EC001417 Logic module
--------	-----------------------

More

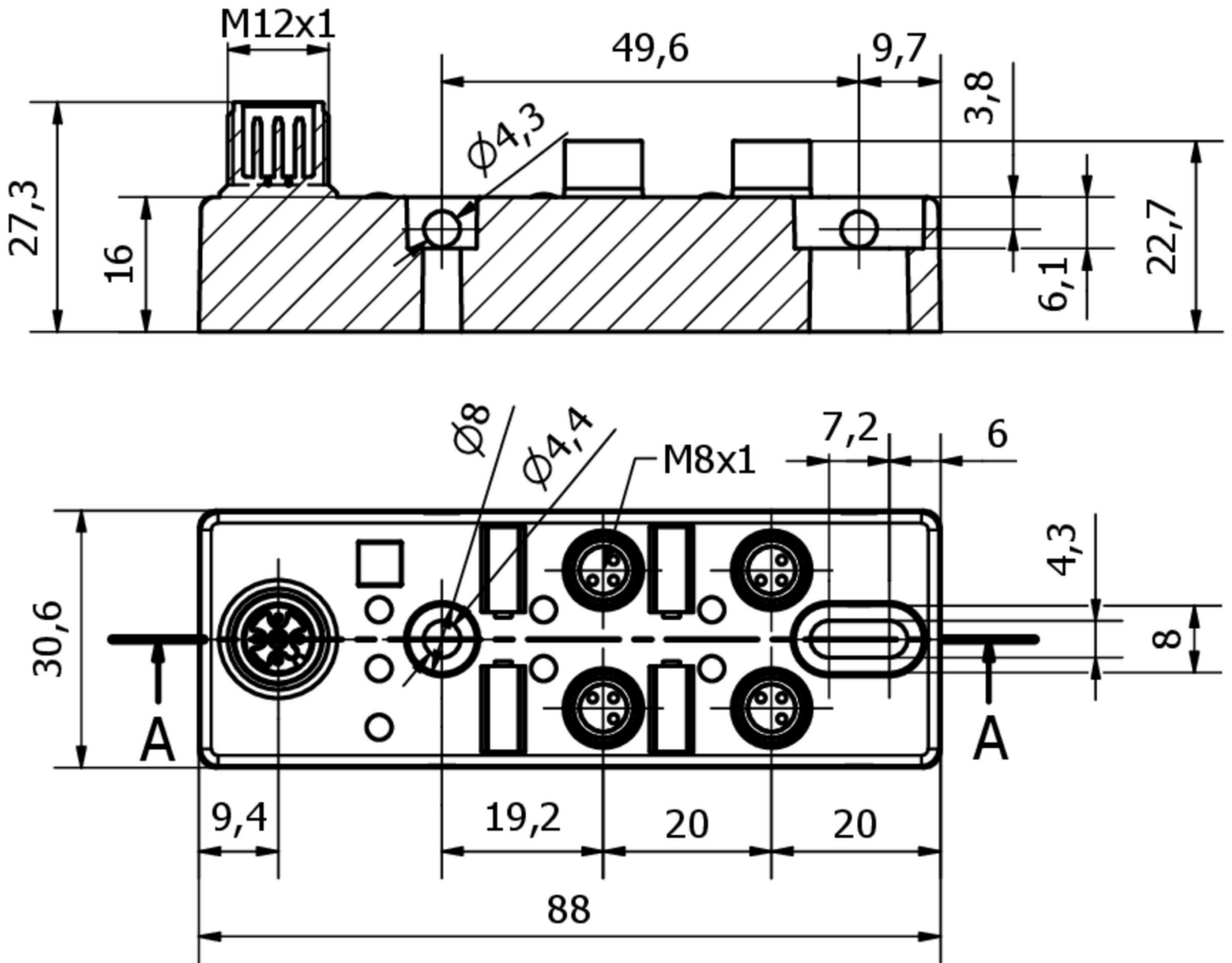
IPF Product Group	800 miscellaneous
packaging dimensions	220 x 150 x 40 mm
gross weight	76 g
Customs tariff number	85365005
WEEE number	40951076
POP-compliant	Yes
Reach-compliant	Yes
RoHS-compliant	Yes

Connection



Dimensional drawing

A-A (1 : 1)



Extract accessories program

VK003020



Cable socket, angular, self-assembly, screw connection, Ø3-6.5mm, 4A, 240V, -25-90°C, M12 socket 4-pin, IP67, PBT

VK003024



Cable socket, Straight, Suitable for self-assembly, Screw connection, Ø3-6.5mm, 4A, 240V, -25-90°C, M12 Female (socket) 4pin, IP67, PBT

VK000034



Screw plug, M8, Plastic, Black

VK200321



Connection cable, 2m, M12 Female (socket) 4pin Angular, Free conductor end, 4x0.34mm², PUR (Polyurethane), Ø4.7mm, 250V, -40-90°C, IP67, Suitable for trailing chain and torsion resistant, Oil and cooling lubricants, Welding area, Silicone-free

VK200325



Connection cable, 2m, M12 Female (socket) 4pin Straight, Free conductor end, 4x0.34mm², PUR (Polyurethane), Ø4.7mm, 250V, -40-90°C, IP67, Suitable for trailing chain and torsion resistant, Oil and cooling lubricants, Welding area, Silicone-free

AV000134



Labeling material, Label, 2, 5x10x5mm, Plastic, 10 identification labels, 2 screw plugs

VK003021



Cable socket, Angular, Suitable for self-assembly, Screw connection, Ø3-6.5mm, 4A, 60V, -25-90°C, M12 Female (socket) 5pin, IP67, PBT

VK003025



Cable socket, Straight, Suitable for self-assembly, Screw connection, Ø3-6.5mm, 4A, 60V, -25-90°C, M12 Female (socket) 5pin, IP67, PBT

VK003076



Cable connector, Angular, Suitable for self-assembly, Soldering connection, 4A, 60V, -40-85°C, M8 Male (connector) 3pin, IP67, Brass

You can find further accessories on our homepage



Installation

Mounting / installation may only be carried out by a qualified electrician!



Disposal

WEEE number according to § 6 para. 3 ElektroG: 40951076

Safety warnings

/ Before initial operation, please make sure to follow all safety instructions that may be provided in the product information.

/ Never use these devices in applications where the safety of a person depends on their functionality.

/ Any software, drivers or IODD files that may be required to operate your device can be downloaded free of charge from our homepage: www.ipf-electronic.com