

VL530100

Logic module • Control cabinet installation

Logic module, 100x118x22mm, AND/OR, 8gang, 10-30V DC, terminals on sensor side, terminals on control side, IP40, plastic, IO-Link, bounce protection



IO-Link interface bounce protection by pulse stretching

Combining digital signals directly on the machine can help to minimize costs and effort considerably. A classic application is linking different signals directly in the field. This avoids long cable runs between many individual devices, significantly minimizes the wiring effort and reduces the need for control inputs. All input signals on the logic modules are visualized by integrated LEDs and are electrically decoupled from each other. This reliably prevents influences from one device to the other. The modules' outputs are overload-proof and the pending signal is also indicated via an LED. Along with logical input signal links such as AND or OR, versions with signal change control are also available. The ipf logic modules are available for top-hat rail mounting or as field modules. Thanks to this and the robust housing, which is characterized by a high degree of protection against the ingress of dust and water, our devices can be used in all areas of machines, systems and tools.

Electrical features

Number of inputs per logic unit	8
Number of electrical connections, A connection	8
Number of logic units	2
Display	LED display
Type of A electrical connection	Clamped terminal connection
Type of B electrical connection	Clamped terminal connection
Rated switching current	100 mA
Logic	AND/OR
Operating voltage (DC)	10 - 30 V
Output logic	A1 = E1 \wedge E2 \wedge E3 \wedge E4 \wedge E5 \wedge E6 \wedge E7 \wedge E8 A2 = E1 V E2 V E3 V E4 V E5 V E6 V E7 V E8
ardSOCA_Betriebsspannung	10-30VDC

Mechanical features

Width	22.5 mm
Height	90 mm
Length	118 mm
Mounting method	Top hat rail
Degree of protection (IP)	IP40
Housing material	Plastic
Ambient temperature	-20 - 70 °C
ardSOCA_Abmessungen	118x22.5x90mm

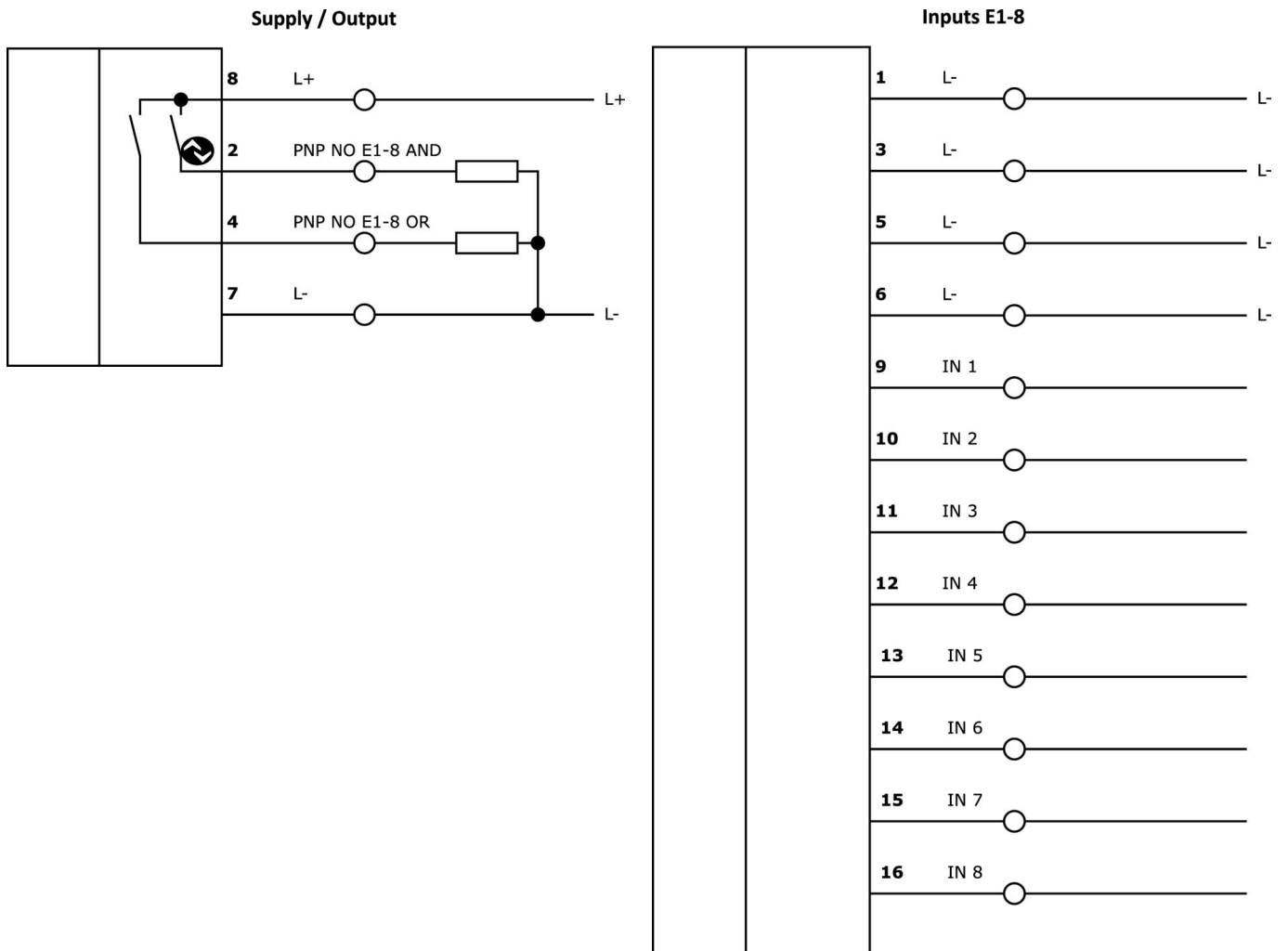
Classification

ETIM 8

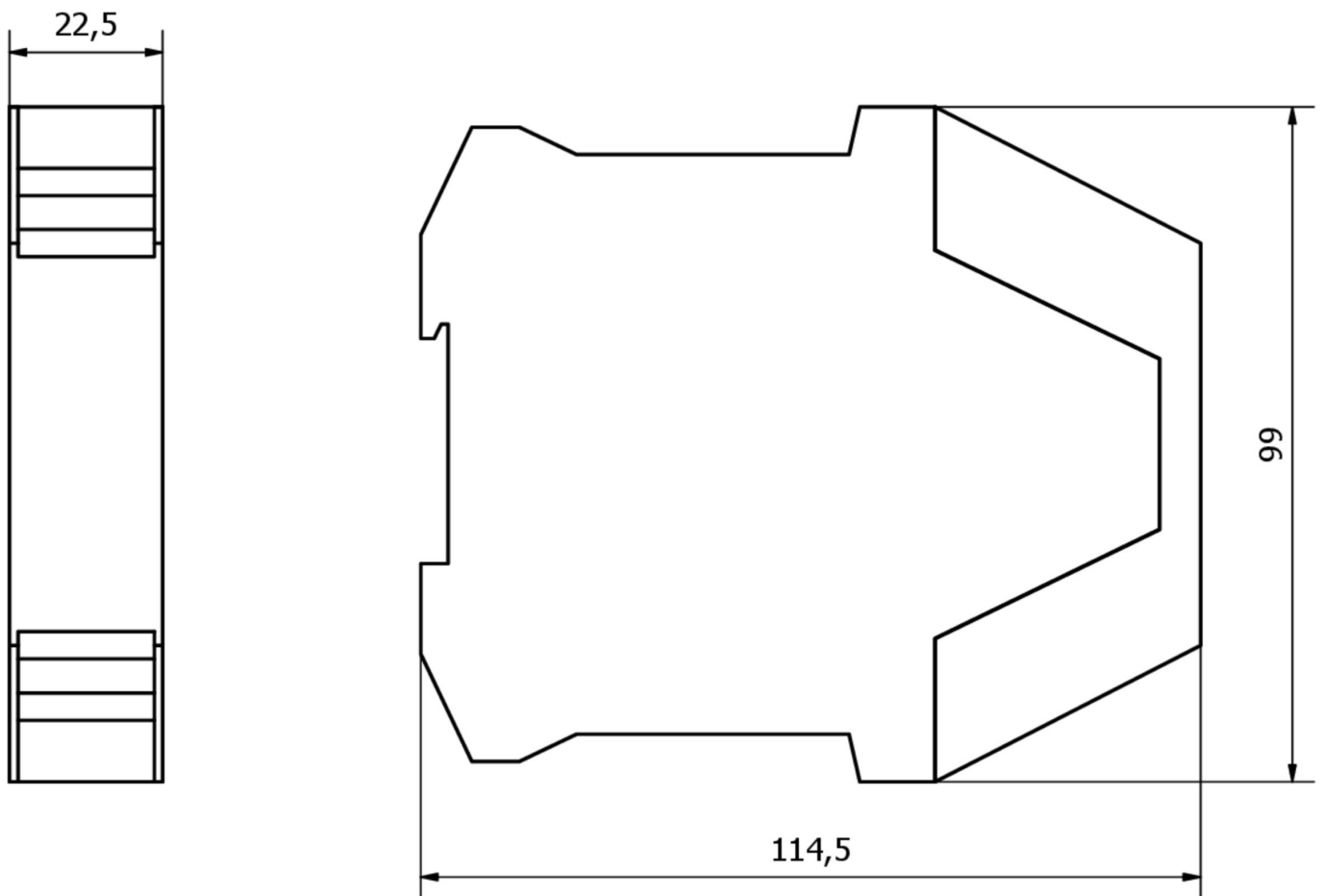
More

IPF Product Group	800 miscellaneous
packaging dimensions	149 x 128 x 28 mm
gross weight	125 g
Customs tariff number	85365005
WEEE number	40951076
Reach-compliant	Yes
RoHS-compliant	Yes

Connection



Dimensional drawing



Extract accessories program

VY000005



IO-Link master, 41x24x67mm, IO-Link, M12, With USB interface

VK10F001



Connection cable, 1m, M12 connector 4-pin straight, free cable end, 4x0.34mm², PUR (polyurethane)

You can find further accessories on our homepage



Installation

Mounting / installation may only be carried out by a qualified electrician!



Disposal

WEEE number according to § 6 para. 3 ElektroG: 40951076

Safety warnings

/ Before initial operation, please make sure to follow all safety instructions that may be provided in the product information.

/ Never use these devices in applications where the safety of a person depends on their functionality.

/ Any software, drivers or IODD files that may be required to operate your device can be downloaded free of charge from our homepage: www.ipf-electronic.com