

VL610304

Logic module • Logic modules

Logic module, 42x122x60mm, AND/OR, 4-gang, 10-30V DC, 4-pin M12 socket on sensor side, 4-pin M12 connector on control side, IP67, plastic, IO-Link



Linking digital signals directly at the machine can help to minimize costs and effort considerably. A classic application is the linking of different signals directly in the field. This avoids long cable runs between many individual devices, significantly minimizes the wiring effort and reduces the need for control inputs. All input signals on the logic modules are visualized by integrated LEDs and are electrically decoupled from each other. This reliably prevents influences from one device to the other. The outputs of the modules are overload-proof and the pending signal is also indicated via an LED. Along with logical input signal links such as AND or OR, versions with signal change control are also available. The ipf logic modules are available for top-hat rail mounting or as field modules. Because of this and the robust housing, which is characterized by a high degree of protection against the ingress of dust and water, our devices can be used in all areas of machines, systems and tools.

Electrical features

Number of inputs per logic unit	4
Number of electrical connections, A connection	4
Number of electrical connections, B connection	1
Number of logic units	2
Display	LED display
Type of A electrical connection	Connector M12
Type of B electrical connection	Connector M12
Rated switching current	100 mA
Logic	AND/OR
Number of pins of A connection	4
Number of pins of B connection	4
Supported communication interface	IO-Link
Operating voltage (DC)	10 - 30 V
Output logic	$A1 = E1 \wedge E2 \wedge E3 \wedge E4$ $A2 = E1 \vee E2 \vee E3 \vee E4$

Mechanical features

Width	60 mm
Height	41.5 mm
Length	122 mm
Mounting method	Screw mounting
Degree of protection (IP)	IP67
Housing material	Plastic
Ambient temperature	-20 - 70 °C

Other features

IO-Link version	V1.1
-----------------	------

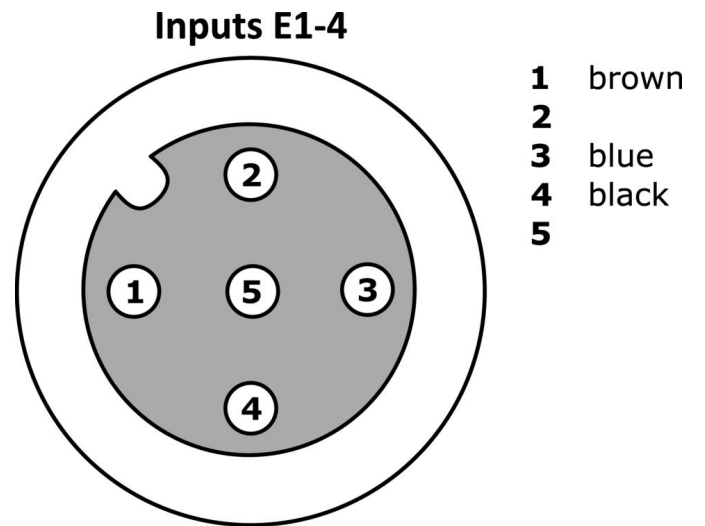
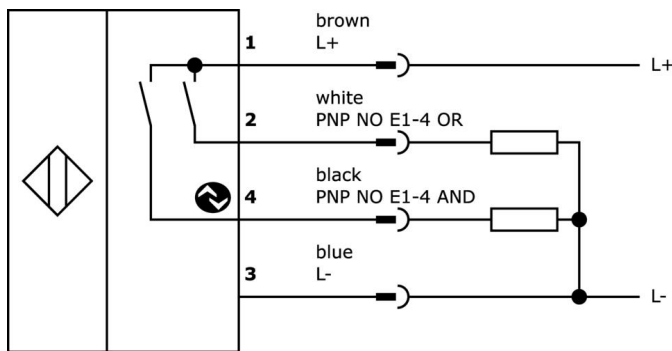
Classification

ETIM 8	EC001417 Logic module
--------	-----------------------

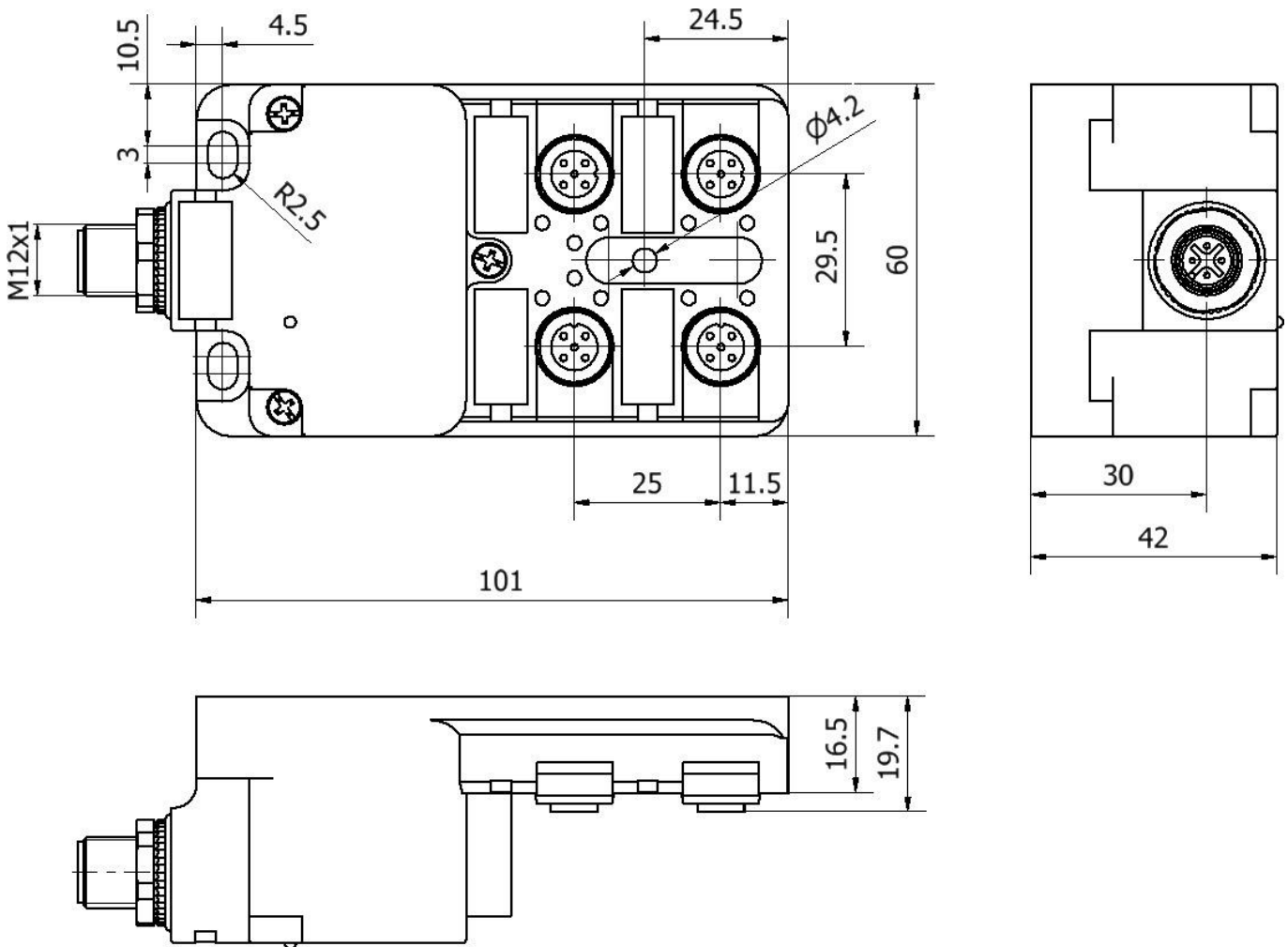
More

IPF Product Group	800 miscellaneous
packaging dimensions	160 x 99 x 60 mm
gross weight	267 g
Customs tariff number	85365005
WEEE number	40951076
Reach-compliant	Yes
RoHS-compliant	Yes

Connection



Dimensional drawing



Extract accessories program

VK003020



Cable socket, angular, self-assembly, screw connection, Ø3-6.5mm, 4A, 240V, -25-90°C, M12 socket 4-pin, IP67, PBT

VK003024



Cable socket, Straight, Suitable for self-assembly, Screw connection, Ø3-6.5mm, 4A, 240V, -25-90°C, M12 Female (socket) 4pin, IP67, PBT

VK000004



Screw plug, M12x1.5, plastic, black

VK200021



Connection cable, 2m, M12 Female (socket) 3pin Angular, Free conductor end, 3x0.34mm², PUR (Polyurethane), Ø4.3mm, 250V, -30-90°C, IP67, Suitable for trailing chain and torsion resistant, Oil and cooling lubricants, Welding area, Silicone-free

VK200025



Connection cable, 2m, M12 Female (socket) 3pin Straight, Free conductor end, 3x0.34mm², PUR (Polyurethane), Ø4.3mm, 250V, -30-90°C, IP67, Suitable for trailing chain and torsion resistant, Oil and cooling lubricants, Welding area, Silicone-free

VK030F21



Connection cable, 0.3m, M12 socket 4-pin angular, M12 connector 4-pin straight, 4x0.34mm², 240V, IP67, suitable for trailing chain and torsion resistant, oils and cooling lubricants, welding area, silicone-free

VK030F25



Connection cable, 0.3m, M12 socket 4-pin straight, M12 connector 4-pin straight, 4x0.34mm², PUR (polyurethane), 240V, IP67, suitable for trailing chain and torsion resistant, oils and cooling lubricants, welding area, silicone-free

VK003021



Cable socket, Angular, Suitable for self-assembly, Screw connection, Ø3-6.5mm, 4A, 60V, -25-90°C, M12 Female (socket) 5pin, IP67, PBT

VK003025



Cable socket, Straight, Suitable for self-assembly, Screw connection, Ø3-6.5mm, 4A, 60V, -25-90°C, M12 Female (socket) 5pin, IP67, PBT

You can find further accessories on our homepage



Installation

Mounting / installation may only be carried out by a qualified electrician!



Disposal

WEEE number according to § 6 para. 3 ElektroG: 40951076

Safety warnings

/ Before initial operation, please make sure to follow all safety instructions that may be provided in the product information.

/ Never use these devices in applications where the safety of a person depends on their functionality.

/ Any software, drivers or IODD files that may be required to operate your device can be downloaded free of charge from our homepage: www.ipf-electronic.com