

VO330570

Optical sensors • Linear measurement

Displacement sensor, optical, 56x37x18mm, 5-30V DC, 100mA, Sn:15-60mm,M8 connector 6-pin

including Screw

- / aluminum housing
- / Rotary encoder output (A/B 90°)
- / Interface connection: Micro-USB
- / Electrical connection: M8 connector, 6-pin



contactless linear measurement parameterization via PC software

This sensor is used for contactless detection of moving objects. It uses an infrared class 1 laser with point grid recognition. Parameterization is carried out via PC software. After parameterization, the units pulse/mm, m/min and mm can be used. If the sensor remains connected to the software during operation, the traverse speed can be read from it. In addition, a rotary encoder output (A / B 90° phase-shifted) is available so that a travel distance can be displayed when connected to a corresponding counter. A further switching output can be programmed as a zero point (e.g. every 50 mm) or as an alarm output.

Electrical features

Response/decay time	3.6 ms
Type of electrical connection	Connector M8
No-load current	100 mA
Switching distance	15 - 60 mm
Protection class	III
Scanning interval	1111 Hz
Operating voltage (DC)	5 - 30 V
ardTEEL_Schutzfunktionen	Reverse polarity protection

Mechanical features

Width	37 mm
Height	19 mm
Length	56 mm
Housing material	Aluminum
Ambient temperature	-10 - 60 °C

Optical features

Laser - wavelength	850 nm
Laser class	Class 1

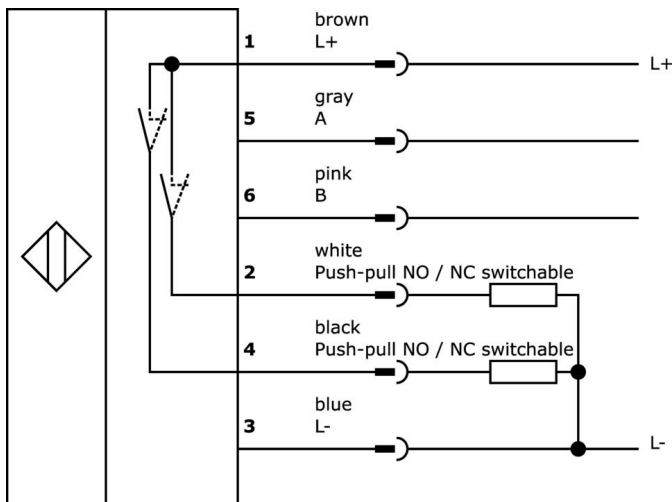
Classification

ETIM 8

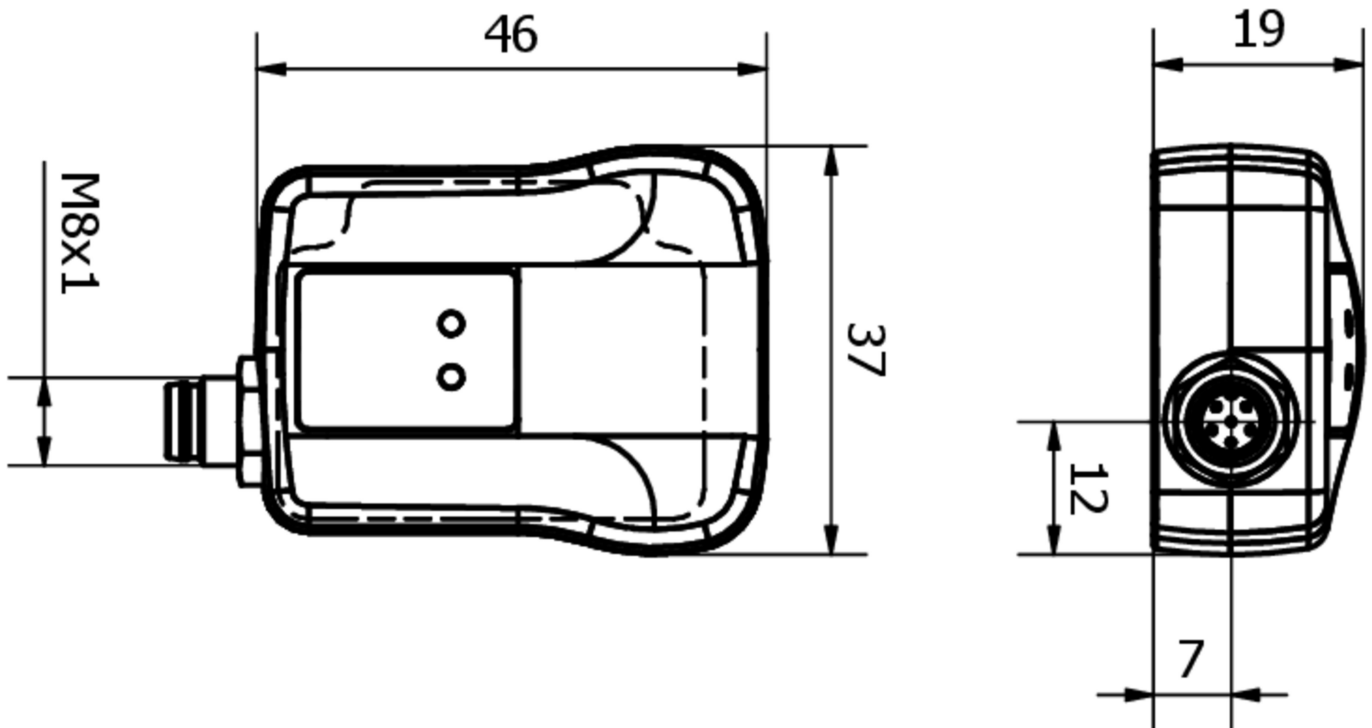
More

IPF Product Group	690 diverse sensors
packaging dimensions	110 x 100 x 30 mm
gross weight	96 g
Customs tariff number	90314990
WEEE number	40951076
Reach-compliant	Yes
RoHS-compliant	Yes

Connection



Dimensional drawing



Extract accessories program**AV000150**

Accessories Miscellaneous,
mounting bracket, 90 x 64 x
50mm, stainless steel

VK100U44

Programming cable, 1m, USB-2.0-
Micro-B connector 4-pin straight,
USB-A connector 4-pin straight,
PVC

You can find further accessories on our homepage

**Installation**

Mounting / installation may only be carried
out by a qualified electrician!

**Disposal**

WEEE number according to § 6 para. 3
ElektroG: 40951076

Safety warnings

/ Before initial operation, please make sure to follow all safety instructions that may be provided in the product information.

/ Never use these devices in applications where the safety of a person depends on their functionality.

/ Any software, drivers or IODD files that may be required to operate your device can be downloaded free of charge from our homepage: www.ipf-electronic.com