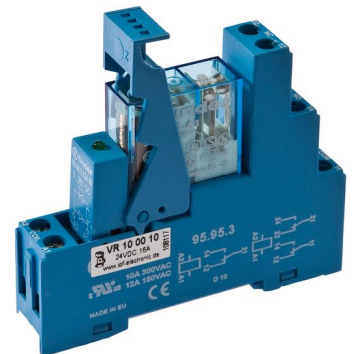


VR100010

Coupling relays • Coupling relays

Cradle relay with base, 79x75x15mm, 1 Change-over contact, 16A, 24V DC, -40-70°C, screw connection, IP40, plastic, with retaining bracket, with LED display



Our multi-function time relays / pulse stretchers can be considered as real alternatives when it comes to solutions for minor set control technology problems. The input signals, for example, can be switch-on or off delayed after a preset time. In order to be able to reduce the storage, multi-function relays can be used that provide, in addition to the already mentioned functions, operating modes like time-programming, pulse-forming or clocking. Besides, there is also star / delta change-over for load-contactors integrated in the motor start control. Reversing the switching logic or the polarity is possible with our fast signal inverters / impulse stretchers. These are characterized by extremely short response times and high switching frequencies. As an input circuit for a PLC these devices are perfect to record short signal or level changes.

Electrical features

Response/decay time	10 ms
Number of switching outputs	1
Number of operating cycles	1000000
Display	LED display
Operating range of the coil	DC: 0.75 - 1.5 nominal voltage
Type of switching function	Change-over contact (NO/NC)
Type of electrical connection	Clamped terminal connection
Type of switching output	Relay contact
Rated switching current	16000 mA
Nominal measuring voltage	6000 V
Switching frequency	40 Hz
Switching capacity	4000 VA
Switching voltage	400 V
Decay time	15 ms
Operating voltage (DC)	24 V

Mechanical features

Design	Cuboid
Width	15.4 mm
Height	78.6 mm
Length	75 mm
Mounting method	Top hat rail
Degree of protection (IP)	IP40
Housing material	Plastic
Contact material	AgCdO
Ambient temperature	-40 - 70 °C

Other features

Version	Cradle relay with base
---------	------------------------

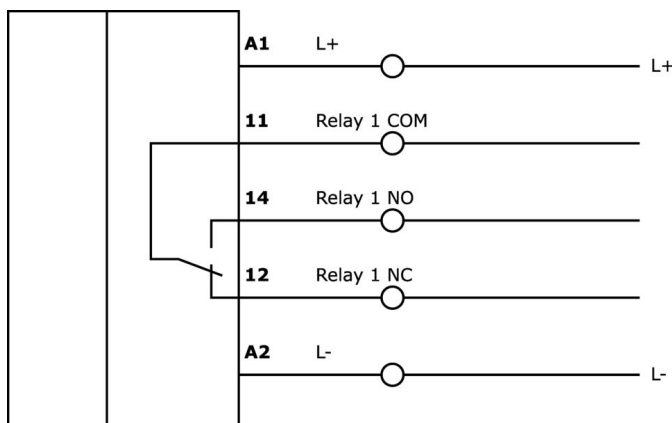
Classification

ETIM 8	EC000196 Contactor relay
--------	--------------------------

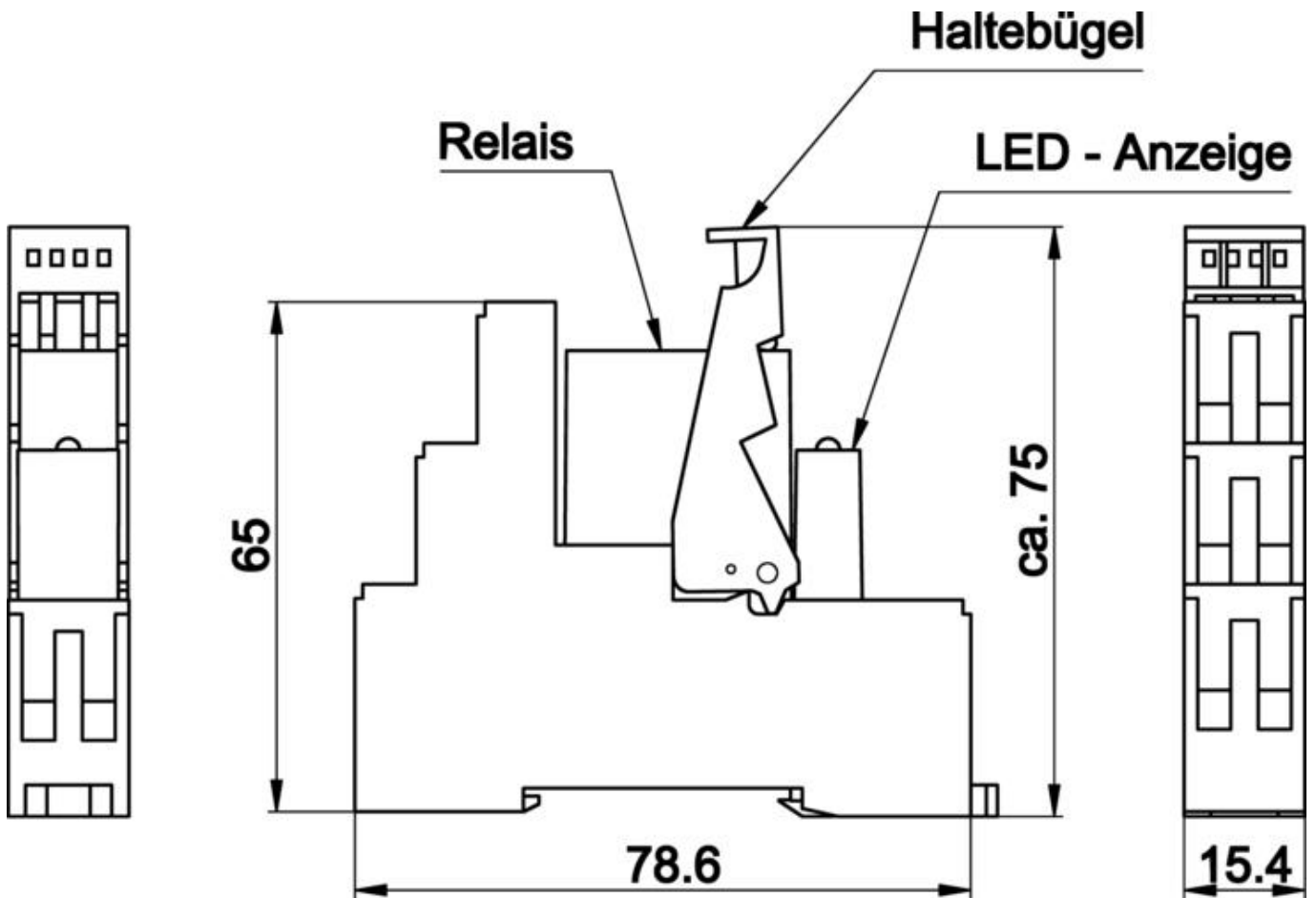
More

IPF Product Group	800 miscellaneous
packaging dimensions	175 x 100 x 16 mm
gross weight	68 g
Customs tariff number	85364190
WEEE number	40951076
Reach-compliant	Yes
RoHS-compliant	Yes

Connection



Dimensional drawing



Installation

Mounting / installation may only be carried out by a qualified electrician!



Disposal

WEEE number according to § 6 para. 3
ElektroG: 40951076

Safety warnings

- / Before initial operation, please make sure to follow all safety instructions that may be provided in the product information.
- / Never use these devices in applications where the safety of a person depends on their functionality.