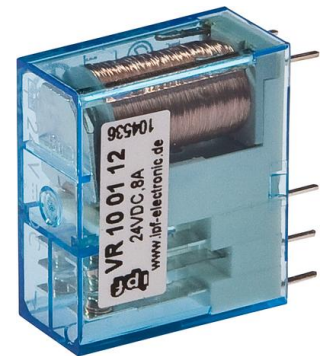


VR100112

Coupling relays • Coupling relays

Cradle relay, 79x75x15mm, 2 Change-over contact, 8A, 24V DC, -40-70°C, Solder and plug-in connection, IP40, Plastic, Grid dimension 5mm, With LED display



Our multi-function time relays / pulse stretchers can be considered as real alternatives when it comes to solutions for minor set control technology problems. The input signals, for example, can be switch-on or off delayed after a preset time. In order to be able to reduce the storage, multi-function relays can be used that provide, in addition to the already mentioned functions, operating modes like time-programming, pulse-forming or clocking. Besides, there is also star / delta change-over for load-contactors integrated in the motor start control. Reversing the switching logic or the polarity is possible with our fast signal inverters / impulse stretchers. These are characterized by extremely short response times and high switching frequencies. As an input circuit for a PLC these devices are perfect to record short signal or level changes.

Electrical features

Response/decay time	10 ms
Number of switching outputs	2
Number of operating cycles	10000000
Display	LED display
Operating range of the coil	DC: 0.75 - 1.5 nominal voltage
Type of switching function	Change-over contact (NO/NC)
Type of electrical connection	Clamped terminal connection
Type of switching output	Relay contact
Rated switching current	8000 mA
Nominal measuring voltage	6000 V
Switching frequency	40 Hz
Switching capacity	2000 VA
Switching voltage	250 V
Decay time	15 ms
Operating voltage (DC)	24 V

Mechanical features

Design	Cuboid
Width	15.4 mm
Height	78.6 mm
Length	75 mm
Mounting method	Top hat rail
Grid dimension	5 mm
Degree of protection (IP)	IP40
Housing material	Plastic
Contact material	AgNi
Ambient temperature	-40 - 70 °C

Other features

Version	Cradle relay
---------	--------------

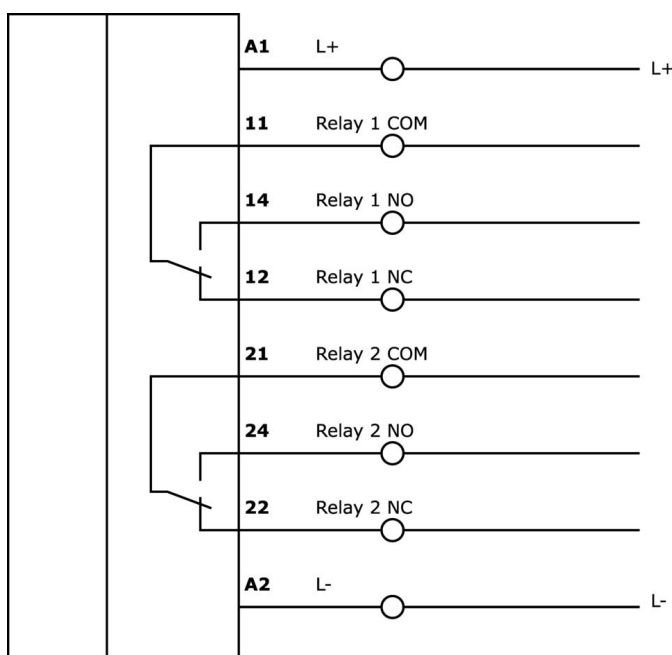
Classification

ETIM 8	EC000196 Contactor relay
--------	--------------------------

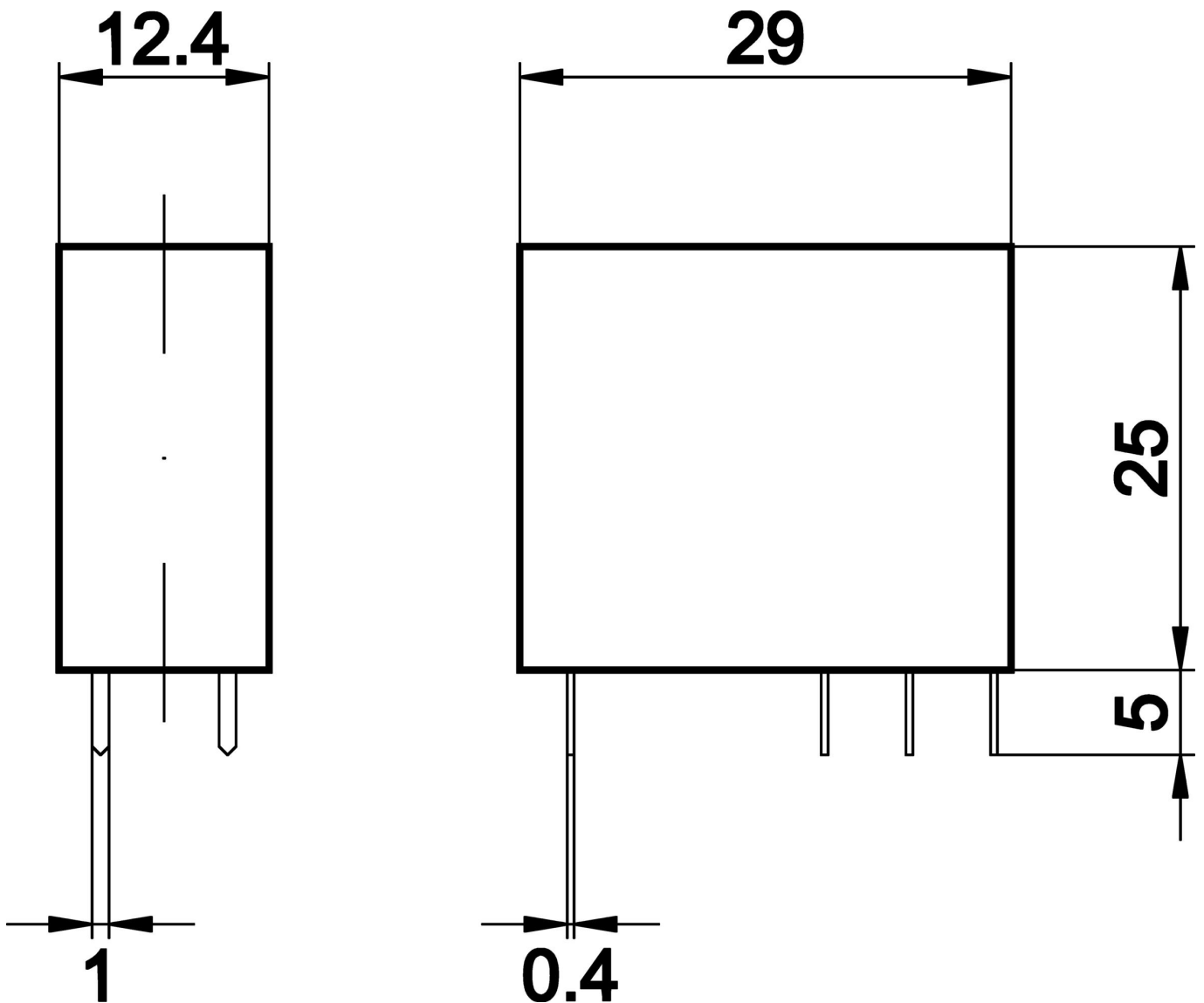
More

IPF Product Group	800 miscellaneous
packaging dimensions	120 x 100 mm
gross weight	18 g
Customs tariff number	85364190
WEEE number	40951076
Reach-compliant	Yes
RoHS-compliant	Yes

Connection



Dimensional drawing



Installation

Mounting / installation may only be carried out by a qualified electrician!



Disposal

WEEE number according to § 6 para. 3
ElektroG: 40951076

Safety warnings

/ Before initial operation, please make sure to follow all safety instructions that may be provided in the product information.

/ Never use these devices in applications where the safety of a person depends on their functionality.