

VY000009

Miscellaneous • LED control box

LED control box, 84x71x40mm, control of LED strips, IO-Link, analog, digital, M12 plug connector

- / Analog input current/voltage
- / 5 digital inputs



IO-Link interface

Several operational modes that allow individual parameterization via IO-Link

The VY000009 controller is designed for controlling and operating the EY000002, EY000003 and EY000004 LED lights. Various operational modes can be set and controlled via an IO link master, for example VY000005.

For example, the "filling level" operational mode can be used to display filling levels, pressures or rotation speeds. They are controlled via the analog input of the controller with 4 ... 20 mA or 0 ... 10 V, the display via a suitable LED light.

The five digital inputs of the controller are available in the operational modes "Countdown", "Segment display" or "Status display" for displaying process or system statuses.

Time sequences can be displayed in the "Countdown" operational mode. The countdown can be started, stopped and reset via an input on the controller.

In the "Segments" operational mode, up to five segments can be controlled via inputs after appropriate parameterization. This allows, for example, a classic signal light to be mapped.

In the "Status display" operational mode, the light up can be controlled completely in one color via an input in order to signal different system statuses.

In all operational modes, fixed or user-defined colors as well as warning and alarm thresholds can be freely selected. A flashing and strobe mode can also be set to increase visibility.

Electrical features

Number of digital inputs	5
Type of analog input	0 - 10V 4 - 20mA
Type of electrical connection	Connector M12
Type of interface connection	Plug-in connection M12
Type of B electrical connection	Connector M12
Rated operating current	1000 mA
Power	23.04 W
Primary rated current In	1 A
Secondary rated current	1.92 A
1. output voltage at DC	12 V
Operating voltage (DC)	24 V
Number of analog input channels	1
Electrical connection	M12 plug connector
Operating voltage	24VDC

Mechanical features

Width	71 mm
Height	40 mm
Length	84 mm
Degree of protection (IP)	IP20
Housing material	Aluminum
Ambient temperature dimensions	0 - 50 °C
	84x71x40mm

Other features

IO-Link version	V1.1.3
-----------------	--------

Classification

ETIM 8	
--------	--

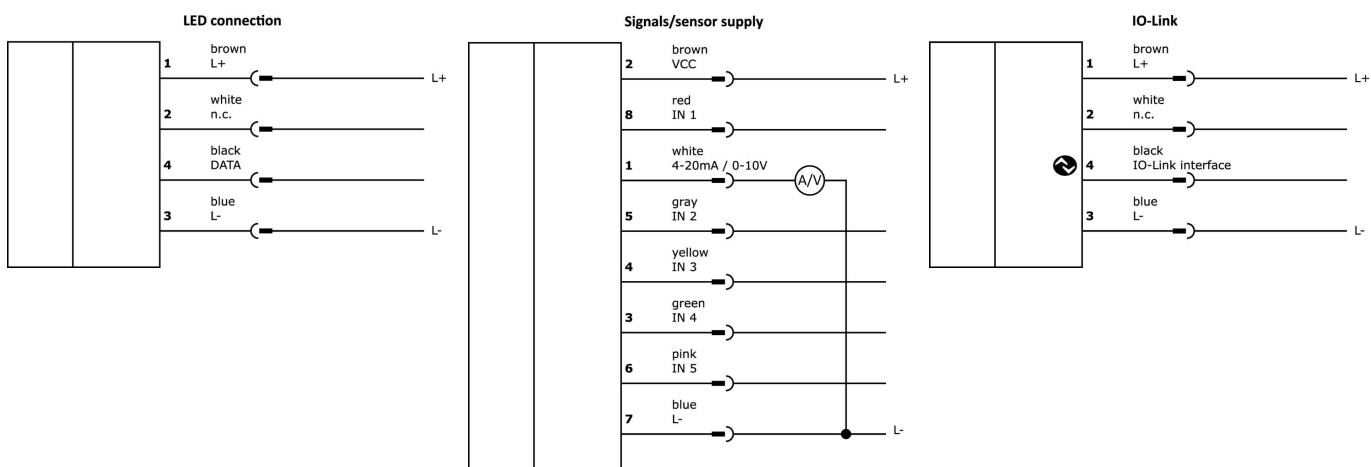
More

IPF Product Group	800 miscellaneous
packaging dimensions	160 x 99 x 60 mm
gross weight	188 g
Customs tariff number	85437090
WEEE number	40951076
Reach-compliant	Yes
RoHS-compliant	Yes

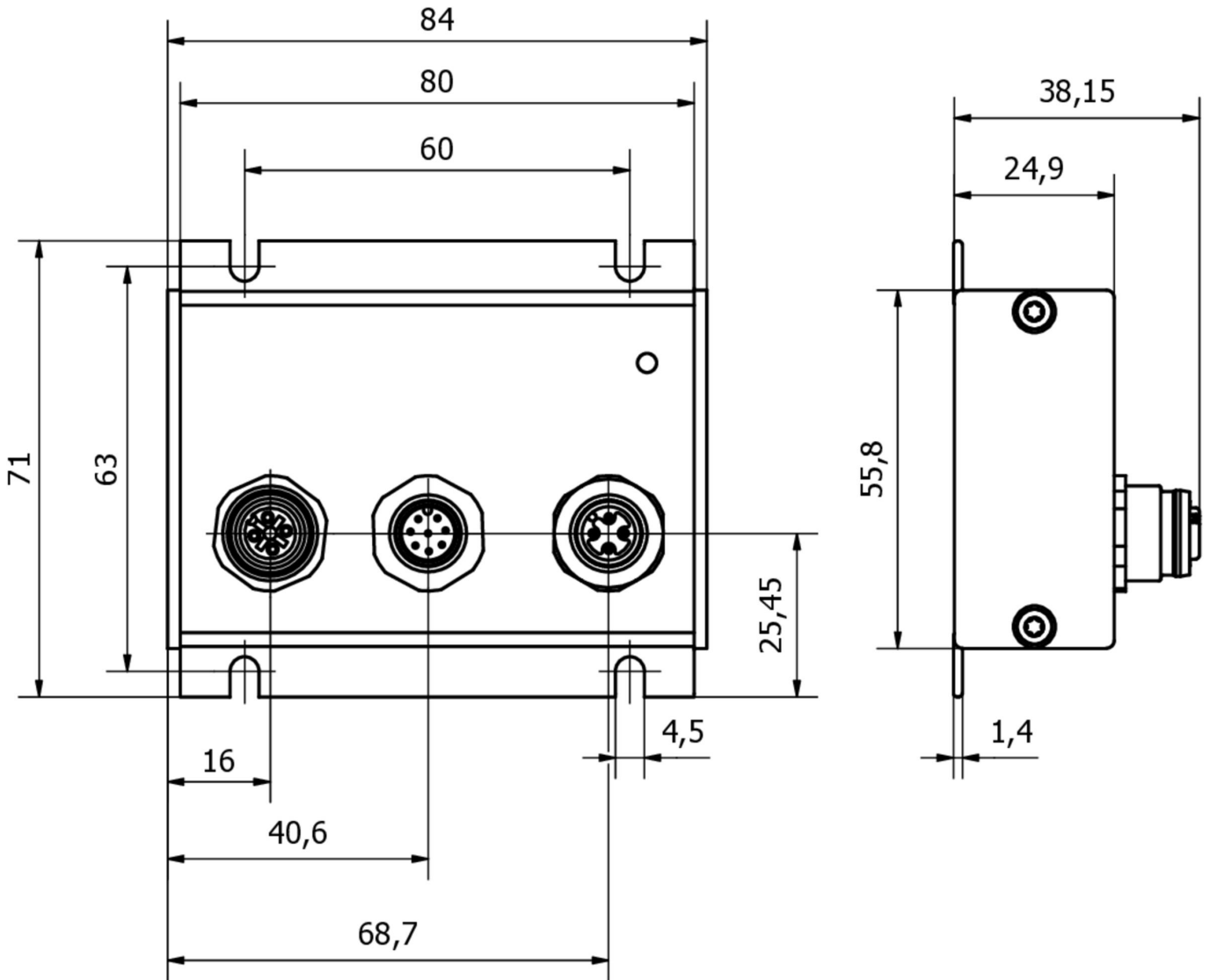
Important notes

- / Die Länge der Anschlussleitung des LED-Streifens darf 3 m nicht überschreiten.
- / In Summe können aufgrund der Strombelastbarkeit nicht mehr als 180 LEDs mit dem Controller betrieben werden.

Connection



Dimensional drawing



Extract accessories program

VY000005



IO-Link master, 41x24x67mm, IO-Link, M12, With USB interface

VK200A25



Connection cable, 2m, M12 Female (socket) 8pin Straight, Free conductor end, 8wire, PUR (Polyurethane), Ø5.9mm, Suitable for trailing chain and torsion resistant, Oil and cooling lubricants, Welding area, Silicone-free

VK500A25



Connection cable, 5m, M12 socket 8-pin straight, free cable end, 8-core, PUR (polyurethane), Ø5.9mm, suitable for trailing chain and torsion resistant, oils and cooling lubricants, welding area, silicone-free

VK205A21



Connection cable, 2m, M12 socket 8-pin angular, free cable end, 8x0.25mm², PUR (polyurethane), Ø6.6mm, 30V, -25-90°C, IP67, shielded, suitable for trailing chain and torsion resistant, oils and cooling lubricants, welding range, silicone-free

VK205A25



Connection cable, 2m, M12 socket 8-pin straight, free cable end, 8x0.25mm², PUR (polyurethane), Ø6.6mm, 30V, -25-90°C, IP67, shielded, suitable for trailing chain and torsion resistant, oils and cooling lubricants, welding area, silicone-free

VK200321



Connection cable, 2m, M12 socket 4-pin angular, free cable end, 4x0.34mm², PUR (polyurethane), Ø4.7mm, 250V, -40-90°C, IP67, suitable for trailing chain and torsion resistant, oils and cooling lubricants, welding area, silicone-free

VK200325



Connection cable, 2m, M12 socket 4-pin straight, free cable end, 4x0.34mm², PUR (polyurethane), Ø4.7mm, 250V, -40-90°C, IP67, suitable for trailing chain and torsion resistant, oils and cooling lubricants, welding area, silicone-free

VK200021



Connection cable, 2m, M12 socket 3-pin angular, free cable end, 3x0.34mm², PUR (polyurethane), Ø4.3mm, 250V, -30-90°C, IP67, suitable for trailing chain and torsion resistant, oils and cooling lubricants, welding area, silicone-free

VK200025



Connection cable, 2m, M12 socket 3-pin straight, free cable end, 3x0.34mm², PUR (polyurethane), Ø4.3mm, 250V, -30-90°C, IP67, suitable for trailing chain and torsion resistant, oils and cooling lubricants, welding area, silicone-free

You can find further accessories on our homepage



Installation

Mounting / installation may only be carried out by a qualified electrician!



Disposal

WEEE number according to § 6 para. 3 ElektroG: 40951076

Safety warnings

/ Before initial operation, please make sure to follow all safety instructions that may be provided in the product information.

/ Never use these devices in applications where the safety of a person depends on their functionality.

/ Any software, drivers or IODD files that may be required to operate your device can be downloaded free of charge from our homepage: www.ipf-electronic.com