

VY062174

Connection technology • Cord switch

Switch, 0.6m, M8 Female (socket) 3pin Straight, M8 Male (connector) 3pin Straight, 3x0.34mm², PUR (Polyurethane), Ø4.3mm, 60V, IP20



ipf cable sockets are used primarily for establishing the electrical connection of sensors. Their features are characterized by rugged design, the highest protection classes (IP67 | IP68 | IP69K) and, if desired, with 360° shielding. With the features: bus-ready, suitable for use with drag chains and robots, resistance to oil and chemicals, resistance to welding sparks, their resistance to cleaning agents or high-pressure and steam-jet cleaning, the expanded temperature range of up to +230°C, the rapid interconnection technology and special data transmission properties, the cable sockets meet all requirements in automation technology.

Electrical features

Type of plug-in contact, A connection	Female (socket)
Type of plug-in contact, B connection	Male (connector)
Type of A electrical connection	M8
Type of B electrical connection	M8
Number of pins of A connection	3
Number of pins of B connection	3
Operating voltage (AC 50Hz)	60 V
Operating voltage (DC)	60 V

Mechanical features

Number of cores	3
Wire assembly	42 x 0.1mm
Conductor cross-section	0.34 mm ²
Cable length	0.6 m
Cable infeed of A connection	straight
Cable infeed of B connection	straight
Maximum tightening torque of connection A	0.6 Nm
Maximum tightening torque of connection B	0.6 Nm
Degree of protection (IP)	IP20
Material of cable sheath	Plastic (PUR)
Perm. ambient temperature of cable, fixed cable	-25 - 80 °C
Suitable for trailing chain	Yes
Line diameter	4.3 mm

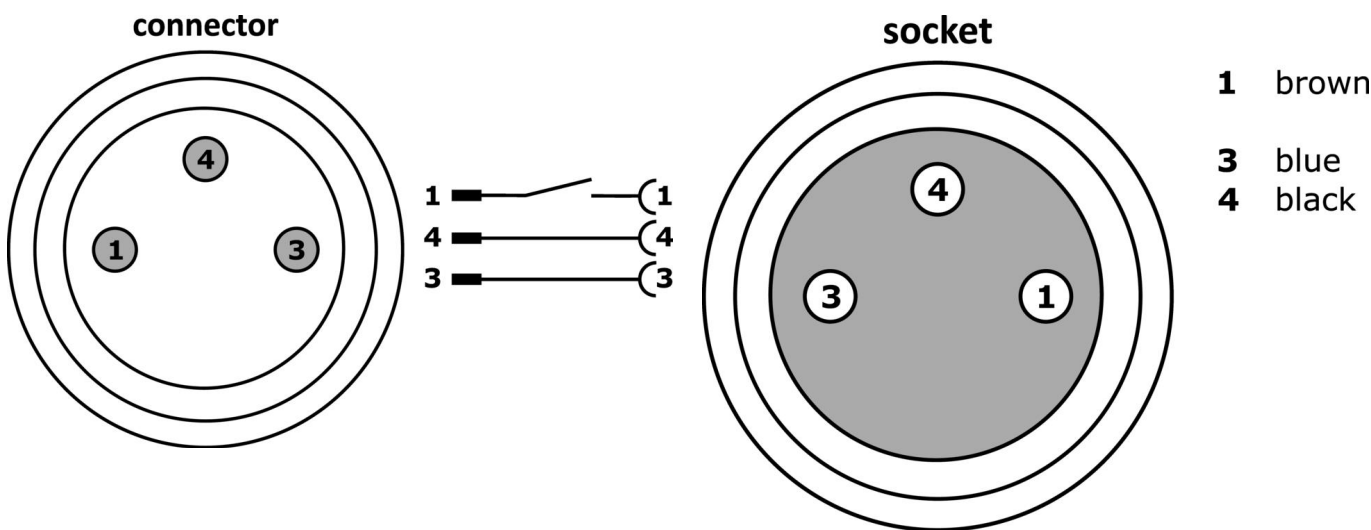
Classification

ETIM 8	EC001855 Assembled sensor-actuator cable
--------	--

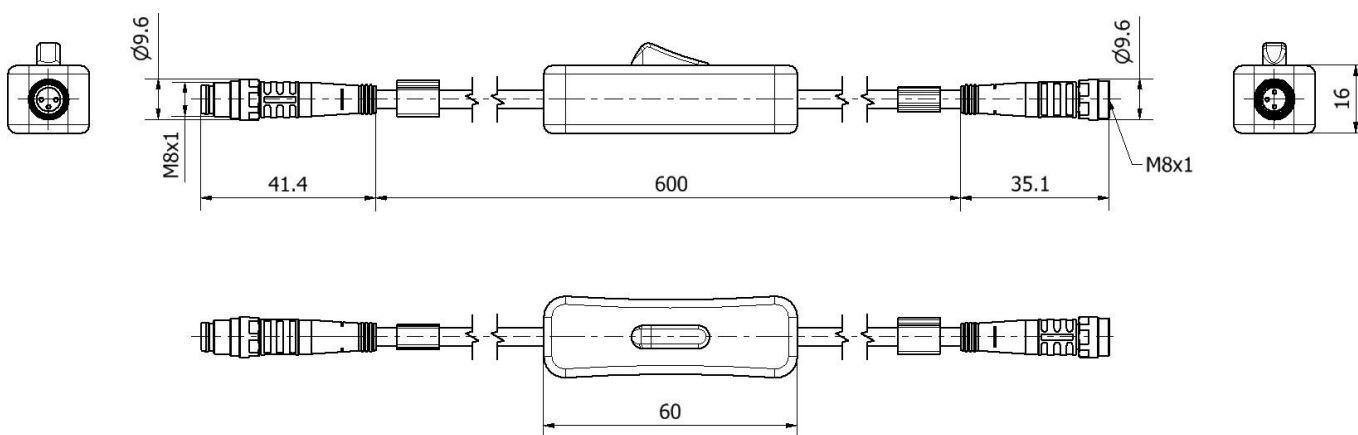
More

IPF Product Group	800 miscellaneous
packaging dimensions	149 x 124 x 28 mm
gross weight	70 g
Customs tariff number	85444290
WEEE number	40951076
Reach-compliant	Yes
RoHS-compliant	Yes

Connection



Dimensional drawing



Installation

Mounting / installation may only be carried out by a qualified electrician!



Disposal

WEEE number according to § 6 para. 3 ElektroG: 40951076

Safety warnings

- / Before initial operation, please make sure to follow all safety instructions that may be provided in the product information.
- / Never use these devices in applications where the safety of a person depends on their functionality.