

WD534400

Monitors • Rotation speed

speed monitoring, 90x97x22mm, 1-120000 1/min, 230V AC, 24V DC, 2x Relay contact
Change-over contact, IP20, Plastic, With start-up delay, Multifunctional device,
Parameterization



The monitoring of rotation speed or rotating movements is necessary in many applications to ensure the proper operation of the plant. Our rotation- and zero speed monitors operate according to different operating principles: 1. Monitoring of pulses of a transducer via a current transformer, 2. Frequency measurement of the phase current. Our devices feature, depending on the type, a wide variety of functions. For a further evaluation in a higher-level control, the results are i.e. outputted as easy relay contact (over-/ underspeed) or as analog output signal resolved to the set rotation speed range.

Electrical features

Start-up delay time	1 - 50 s
Number of outputs	2
Number of outputs, signaling function, undelayed, with contact	2
Display	LED display
Type of switching function	Change-over contact (NO/NC)
Type of electrical connection	Clamped terminal connection
Type of switching output	Relay contact
Rated switching current	3000 mA
Readiness delay	400 ms
Operating frequency	1 - 20000 Hz
Setting procedure	Parameterization
Transducer power supply voltage	24 V
Transducer power supply current	20 mA
Type of transducer power supply voltage	DC
Power consumption	4 VA
Minimum pulse length	0.02 ms
Switching voltage	230 V
Voltage type for actuation	DC
Operating voltage (AC 50Hz)	184 - 253 V
Operating voltage (DC)	20,4 - 28,8 V
Adjustment range for revolutions per minute	1 - 120000 upm
Standstill monitoring function	Yes
Monitoring functions of the monitor	Standstill Rotation speed

Mechanical features

Width	22.5 mm
Height	90 mm
Storage temperature	-20 - 60 °C
Length	97 mm
Mounting method	Top hat rail
Degree of protection (IP)	IP20
Housing material	Plastic
Ambient temperature	-20 - 60 °C

Other features

With transducer power supply	Yes
Multifunctional device	Yes
Version	With start-up override

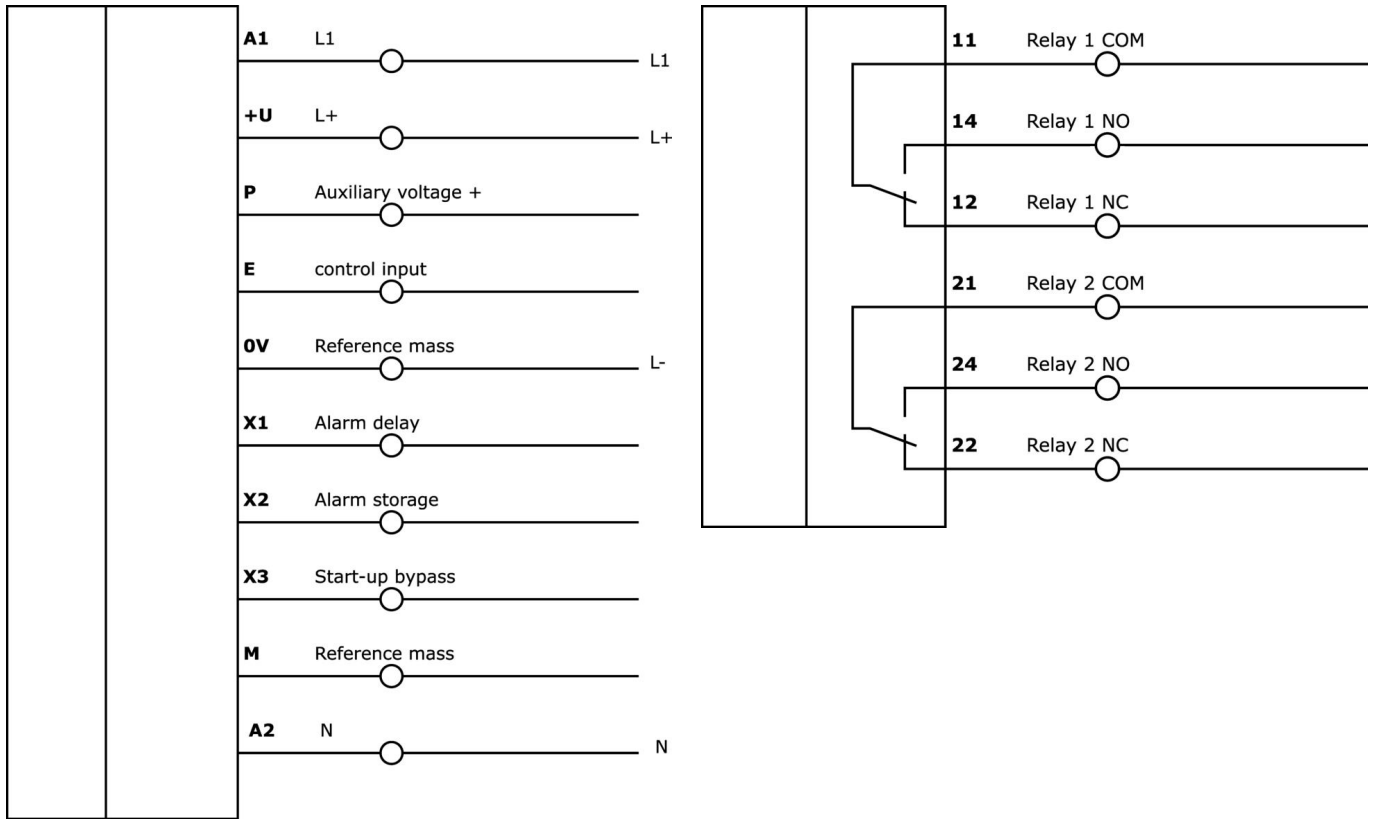
Classification

ETIM 8	EC001448 Speed/standstill monitoring device
--------	---------------------------------------------

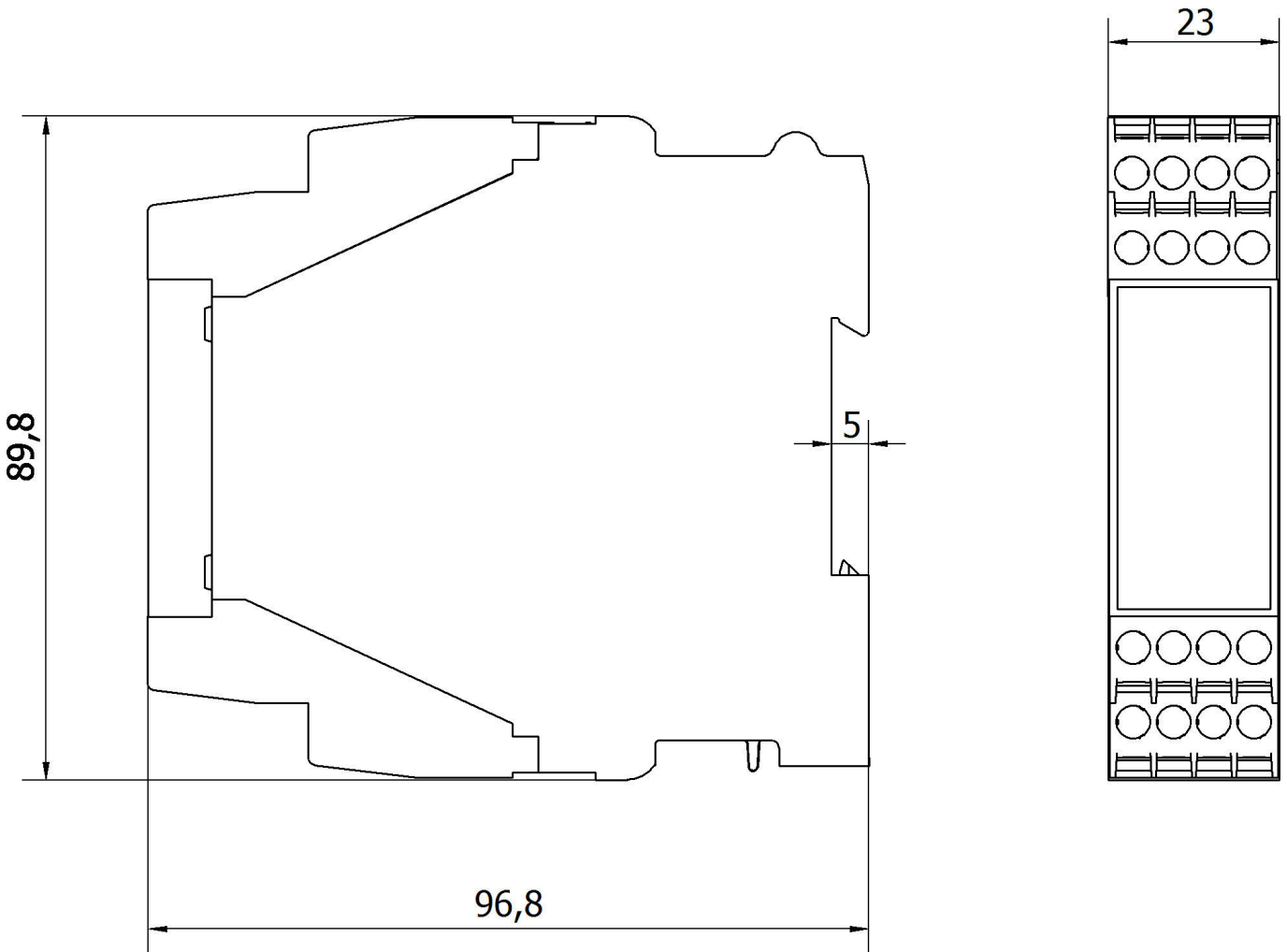
More

IPF Product Group	650 monitors
packaging dimensions	170 x 145 x 45 mm
gross weight	270 g
Customs tariff number	90292038
WEEE number	40951076
Reach-compliant	Yes
RoHS-compliant	Yes

Connection



Dimensional drawing



Installation

Mounting / installation may only be carried out by a qualified electrician!



Disposal

WEEE number according to § 6 para. 3
ElektroG: 40951076

Safety warnings

- / Before initial operation, please make sure to follow all safety instructions that may be provided in the product information.
- / Never use these devices in applications where the safety of a person depends on their functionality.