

WF210020

Monitors • Vibration

Monitor frequency, vibration sensor, Ø21mm 73 high, 18-30V DC, -40-85°C, programmable/configurable, 2x PNP NC/NO, 4-20mA, IO-Link, M12 plug connector 4-pin, stainless steel 1.4305, IP67, parameterization



/ integrated temperature measurement

**Analog output 4-20mA
Parameterization via IO-Link**

A vibration sensor detects mechanical oscillations (vibrations) of an object and converts them into an electrical signal. The signal can be output in terms of acceleration (m/s² or g) or speed (mm/s).

Electrical features

Type of switching function	Programmable/configurable
Type of analog output	4 - 20mA
Type of electrical connection	Connector M12
Type of switching output	PNP
Setting procedure	Parameterization via IO-Link
No-load current	120 mA
Number of pins	4
Operating voltage (DC)	18 - 30 V
Measuring accuracy	±10 % (according to DIN ISO 2954) ±0.5 % at calibration point
Measurement frequency	10 - 1000 Hz
ardSOCA_ElektrischerAnschluss	M12 4-pin plug connector
ardSOCA_Betriebsspannung	18-30VDC
ardTEEL_Kalibrierpunkt	without IO-Link: 90% measuring range @ 159.2 Hz with IO-Link: 1g (rms) @ 159.2 Hz
ardTEEL_Querempfindlichkeit	5 %
ardTEEL_Strombelastbarkeiten	100mA (Out 1) 500mA (Out 2)
ardTEEL_Schutzfunktionen	Short circuit protection Overload protection

Mechanical features

Type of process connection	M8x1.25mm
Design	Cylinder plain
Diameter	23.8 mm
Weight	90 g
Height	72.5 mm
Maximum tightening torque	8 Nm
Maximum tightening torque of connection A	0.4 Nm
Wrench size	24 mm
Degree of protection (IP)	IP66/IP67
Vibration speed	64 mm/s
Vibration resistance, acceleration	15 g
Housing material	Stainless steel 1.4305
Ambient temperature	-40 - 80 °C
ardSOCA_Abmessungen	Ø23.8mm, 72.5mm high

Other features

ardTESO_UnterstuetzteMessgroessen	Vibration velocity (mm/s, rms) Vibration acceleration (g, rms) Vibration acceleration (g, peak) Temperature (°C)
-----------------------------------	--

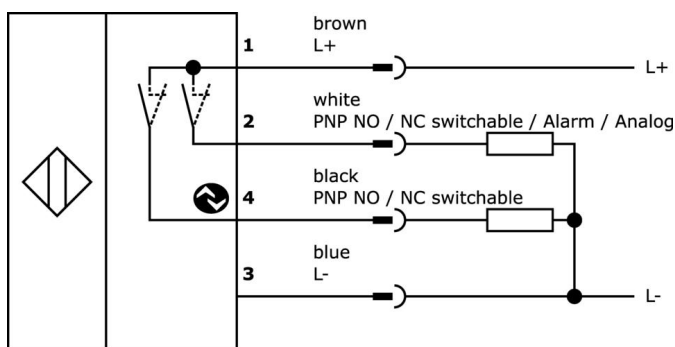
Classification

ETIM 8

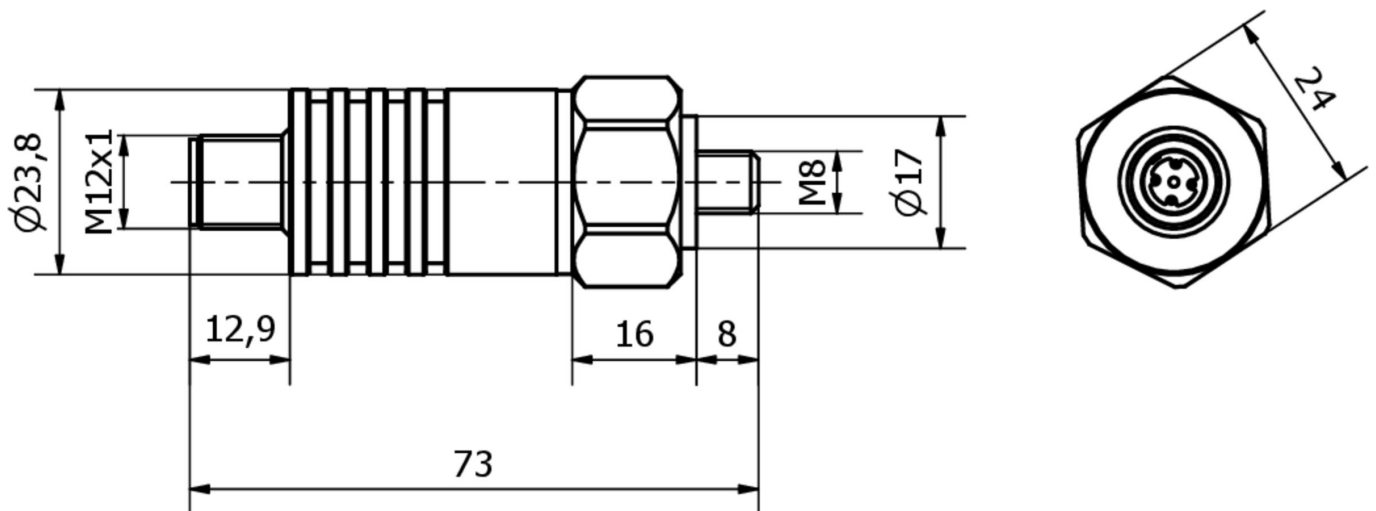
More

IPF Product Group	730 special devices (diverse)
packaging dimensions	107 x 85 x 67 mm
gross weight	149 g
Customs tariff number	85437090
WEEE number	40951076
Reach-compliant	Yes
RoHS-compliant	Yes

Connection




Dimensional drawing




Extract accessories program


VK205321

 Connection cable, 2m, M12 socket 4-pin angular, free cable end, 4x0.34mm², PUR (polyurethane), Ø5.5mm, 250V, -25-90°C, IP67, shielded, suitable for trailing chain and torsion resistant, oils and cooling lubricants, welding area, silicone-free


VK205325

 Connection cable, 2m, M12 socket 4-pin straight, free cable end, 4x0.34mm², PUR (polyurethane), Ø5.5mm, 250V, -25-90°C, IP67, shielded, suitable for trailing chain and torsion resistant, oils and cooling lubricants, welding area, silicone-free


VK003020

 Cable socket, angular, self-assembly, screw connection, Ø3-6.5mm, 4A, 240V, -25-90°C, M12 socket 4-pin, IP67, PBT

VK003024

 Cable socket, Straight, Suitable for self-assembly, Screw connection, Ø3-6.5mm, 4A, 240V, -25-90°C, M12 Female (socket) 4pin, IP67, PBT

AY000189

 Accessories, magnetic, Ø35mm, internal hole M8x1.25mm, galvanized steel (galv.steel)

You can find further accessories on our homepage



Installation

Mounting / installation may only be carried out by a qualified electrician!



Disposal

WEEE number according to § 6 para. 3 ElektroG: 40951076

Safety warnings

/ Before initial operation, please make sure to follow all safety instructions that may be provided in the product information.

/ Never use these devices in applications where the safety of a person depends on their functionality.

/ Any software, drivers or IODD files that may be required to operate your device can be downloaded free of charge from our homepage: www.ipf-electronic.com