

WF21F001

Monitors • Vibration

Monitor frequency, vibration sensor, Ø21mm 42 high, IEPE, -40-120°C, connector, IP65, stainless steel



Electrical features

Type of plug-in contact, A connection	Male (connector)
Type of analog output	IEPE
Type of electrical connection	Plug-in connection
Operating voltage (DC)	18 - 28 V

Mechanical features

Design	Round
Height	42.2 mm
Degree of protection (IP)	IP68
Vibration resistance, acceleration	5000 g
Housing material	Stainless steel
Ambient temperature	-52 - 121 °C

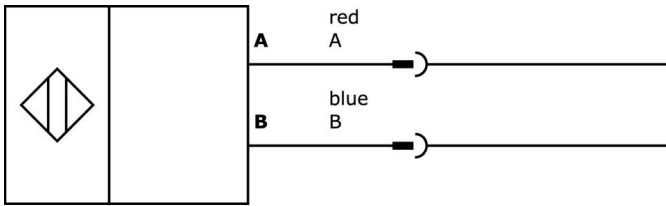
Classification

ETIM 8

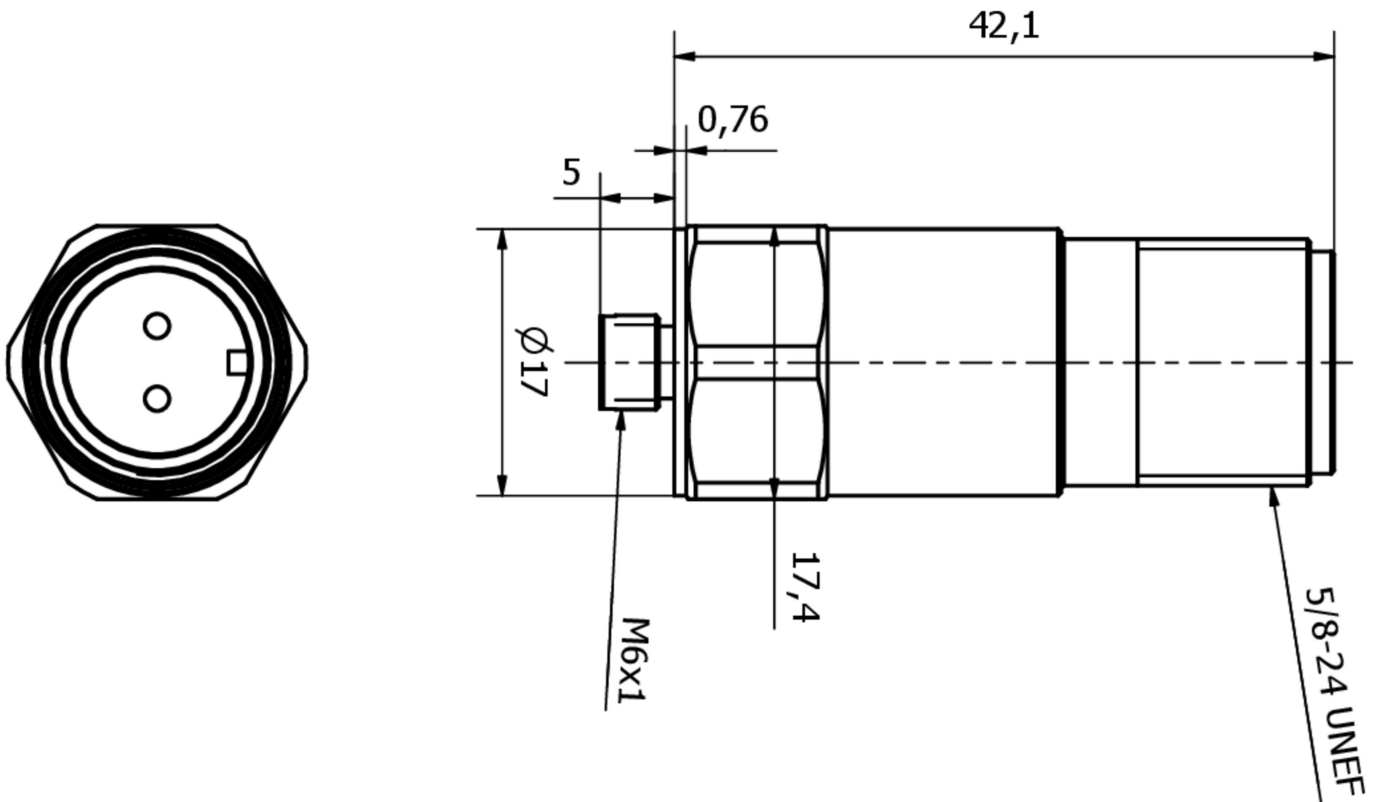
More

IPF Product Group	735 Gateway and accessories
packaging dimensions	105 x 43 x 43 mm
gross weight	77 g
Customs tariff number	85437090
WEEE number	40951076
Reach-compliant	Yes
RoHS-compliant	Yes

Connection



Dimensional drawing



Extract accessories program

VKAEF002



Connection cable, 15m, MS3106-A connector 2-pin angular, open end, 2x0.25mm², PUR (polyurethane) black, -50-121°C, shielded, suitable for trailing chain and torsion resistant, oils and cooling lubricants, welding range

You can find further accessories on our homepage



Installation

Mounting / installation may only be carried out by a qualified electrician!



Disposal

WEEE number according to § 6 para. 3 ElektroG: 40951076

Safety warnings

- / Before initial operation, please make sure to follow all safety instructions that may be provided in the product information.
- / Never use these devices in applications where the safety of a person depends on their functionality.