

# WS200120

## Monitors • Standstill

standstill monitor, Ø20mm 60long, 0.015-1000Hz, 10-30V DC, 1x PNP NO, 4pin, IP67, plastic, teach-in



The monitoring of rotation speed or rotating movements is necessary in many applications to ensure the proper operation of the plant. Our rotation- and zero speed monitors operate according to different operating principles: 1. Monitoring of pulses of a transducer via a current transformer, 2. Frequency measurement of the phase current. Our devices feature, depending on the type, a wide variety of functions. For a further evaluation in a higher-level control, the results are i.e. outputted as easy relay contact (over-/ underspeed) or as analog output signal resolved to the set rotation speed range.

### Electrical features

Number of outputs	1
Type of switching function	Normally open contact (NO)
Type of switching output	PNP
Type of transistor output	PNP
Type of A electrical connection	M12
Type of B electrical connection	M12
Rated switching current	150 mA
Operating frequency	0,015 - 1000 Hz
Setting procedure	Teach-In
Relative hysteresis	5 %
No-load current	10 mA
Minimum pulse length	0 ms
Number of pins	4
Voltage type for actuation	DC
Operating voltage (DC)	10 - 30 V
Standstill monitoring function	Yes
Monitoring functions of the monitor	Standstill

### Mechanical features

Diameter	20 mm
Storage temperature	-20 - 60 °C
Length	60 mm
Degree of protection (IP)	IP67
Housing material	Plastic
Ambient temperature	0 - 60 °C

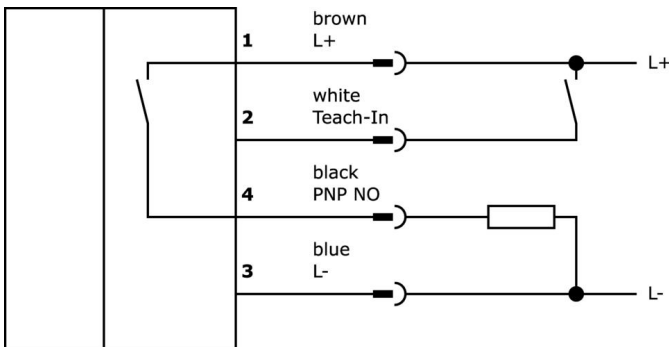
**Classification**

ETIM 8	EC001448 Speed/standstill monitoring device
--------	---

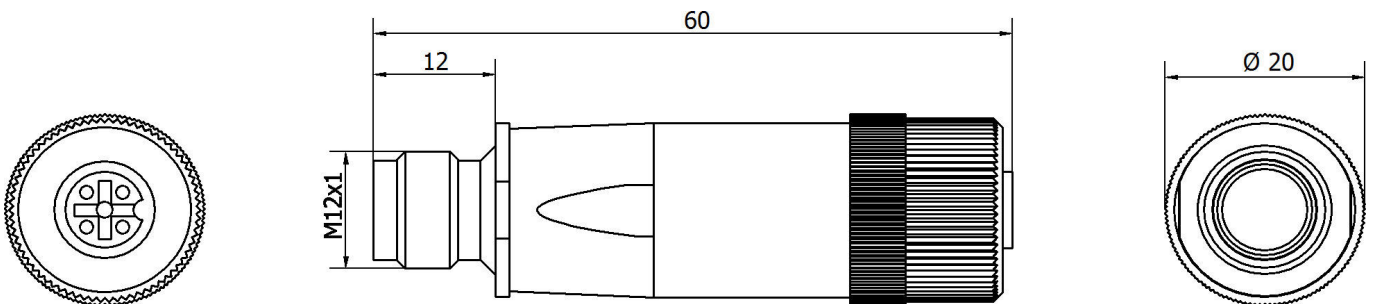
**More**

IPF Product Group	650 monitors
packaging dimensions	91 x 60 x 30 mm
gross weight	27 g
Customs tariff number	90292038
WEEE number	40951076
OzDS-compliant	Yes
POP-compliant	Yes
Reach-compliant	Yes
RoHS-compliant	Yes

**Connection**



**Dimensional drawing**



**Extract accessories program**

**VK200321**



Connection cable, 2m, M12  
 Female (socket) 4pin Angular, Free conductor end, 4x0.34mm<sup>2</sup>, PUR (Polyurethane), Ø4.7mm, 250V, -40-90°C, IP67, Suitable for trailing chain and torsion resistant, Oil and cooling lubricants, Welding area, Silicone-free

**VK200325**



Connection cable, 2m, M12  
 Female (socket) 4pin Straight, Free conductor end, 4x0.34mm<sup>2</sup>, PUR (Polyurethane), Ø4.7mm, 250V, -40-90°C, IP67, Suitable for trailing chain and torsion resistant, Oil and cooling lubricants, Welding area, Silicone-free

**VK030F21**



Connection cable, 0.3m, M12 socket 4-pin angular, M12 connector 4-pin straight, 4x0.34mm<sup>2</sup>, 240V, IP67, suitable for trailing chain and torsion resistant, oils and cooling lubricants, welding area, silicone-free

**VK030F25**



Connection cable, 0.3m, M12 socket 4-pin straight, M12 connector 4-pin straight, 4x0.34mm<sup>2</sup>, PUR (polyurethane), 240V, IP67, suitable for trailing chain and torsion resistant, oils and cooling lubricants, welding area, silicone-free

You can find further accessories on our homepage



**Installation**

Mounting / installation may only be carried out by a qualified electrician!



**Disposal**

WEEE number according to § 6 para. 3 ElektroG: 40951076

**Safety warnings**

/ Before initial operation, please make sure to follow all safety instructions that may be provided in the product information.

/ Never use these devices in applications where the safety of a person depends on their functionality.