

YF900020

Oil moisture sensor • Oil moisture sensor

Oil moisture sensor, G1/2", 123x30mm, 10-36V DC, -20...125°C, M12 plug-in connector 8-pin, stainless steel V2A, IP66, pressure resistance 300bar, 2x 4-20mA, RS-485



Industrial oil moisture sensor for measurement of water activity and process temperature. Calculation of the absolute water content (PPM).

Electrical features

Type of analog output	4 - 20mA
Type of electrical connection	Connector M12
Type of signal output	Three-wire
Measuring range, temperature	-20 - 125 °C
Number of pins	8
Supported communication interface	1x RS485
Measuring accuracy of temperature	±0,3°C
Operating voltage (DC)	10 - 30 V
Number of analog output channels	2
Measuring accuracy	up to 0.9aw: ±0.02 aw at +23 °C from 0.9aw: ±0.03 aw at +23 °C

Mechanical features

Type of process connection	G1/2 inch
Design	Cylinder, screw-thread
Pressure resistance	300 bar
Diameter	30.2 mm
Storage temperature	-40 - 80 °C
Length	123.2 mm
Medium temperature	-20 - 125 °C
Wrench size	27 mm
Degree of protection (IP)	IP66
Housing material	Zinc die-cast
Sensing element material	Stainless steel
Ambient temperature	-20 - 70 °C

Other features

Reference medium / object	Transformer oil
---------------------------	-----------------

Classification

ETIM 8

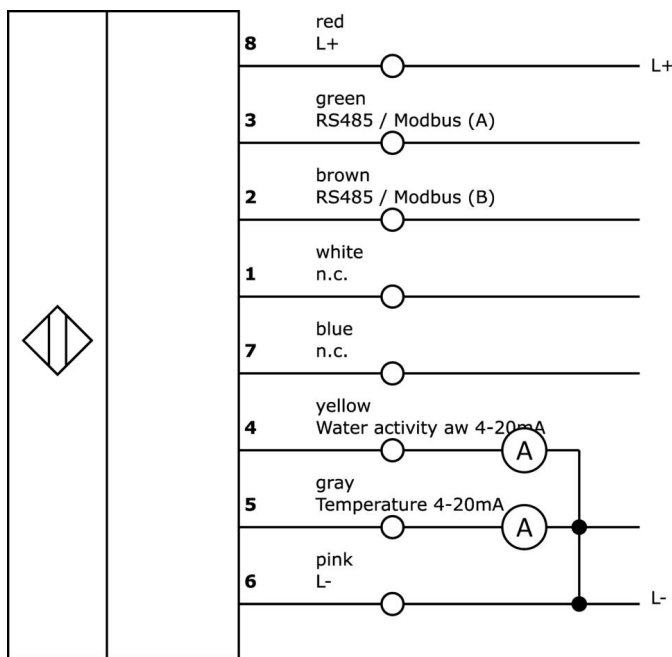
More

IPF Product Group	725 compressed air and leakage measurement
packaging dimensions	180 x 120 x 55 mm
gross weight	283 g
Customs tariff number	90258040
WEEE number	40951076
Reach-compliant	Yes
RoHS-compliant	Yes

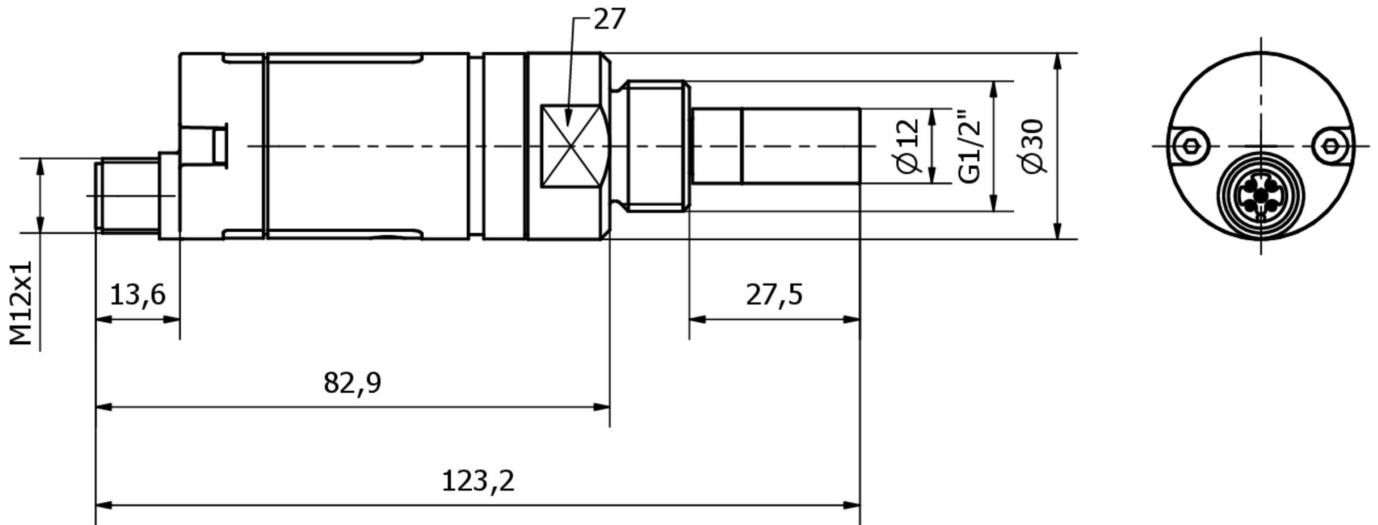
Important notes

/ The measuring range 0 represents the minimum and 1 the maximum possible water activity.

Connection



Dimensional drawing



Extract accessories program

VK205A21



Connection cable, 2m, M12
 Female (socket) 8pin Angular, Free conductor end, 8x0.25mm², PUR (Polyurethane), Ø6.6mm, 30V, -25-90°C, IP67, Shielded, Suitable for trailing chain and torsion resistant, Oil and cooling lubricants, Welding area, Silicone..

VK205A25



Connection cable, 2m, M12
 Female (socket) 8pin Straight, Free conductor end, 8x0.25mm², PUR (Polyurethane), Ø6.6mm, 30V, -25-90°C, IP67, Shielded, Suitable for trailing chain and torsion resistant, Oil and cooling lubricants, Welding area, Silicon...

VY000026



RS485/USB connection cable, 5m, interface adapter, USB-A connector, M12 socket 8-pin straight

You can find further accessories on our homepage



Installation

Mounting / installation may only be carried out by a qualified electrician!



Disposal

WEEE number according to § 6 para. 3 ElektroG: 40951076

Safety warnings

/ Before initial operation, please make sure to follow all safety instructions that may be provided in the product information.

/ Never use these devices in applications where the safety of a person depends on their functionality.

/ Any software, drivers or IODD files that may be required to operate your device can be downloaded free of charge from our homepage: www.ipf-electronic.com