

YM220100

Push button for integration • mechanical

Sensor Mechanical, push buttons, M22x1 20long, 22.5mm, 24V DC, -40-75°C, relay contact NO, single core 6-pole 0.5m, IP68, V4A, LED

including Nut



Electrical features

Display	LED display
Type of switching function	Normally open contact (NO)
Type of electrical connection	Single cores
Type of switching output	Relay contact
Rated switching current	200 mA
Short-circuit protection	Yes
No-load current	20 mA
Number of pins	6
Voltage drop	2.5 V
Reverse polarity protection	Yes
Operating voltage (AC 50Hz)	24 V
Operating voltage (DC)	24 V

Mechanical features

Design	Round
Thread length	12 mm
Thread pitch	1 mm
Cable length	0.5 m
Hole diameter	22.5 mm
Length	20 mm
Maximum tightening torque	1 Nm
Mounting method	Counter thread
Degree of protection (IP)	IP68
Front ring material	Metal
Housing material	Stainless steel 1.4404
Thread dimension	M22
Ambient temperature	-40 - 75 °C

Other features

With front ring	Yes
-----------------	-----

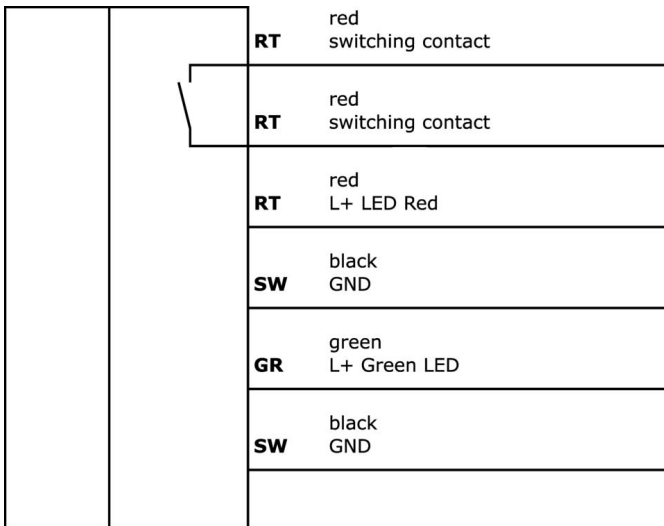
Classification

ETIM 8	EC001028 Pushbutton, complete unit
--------	------------------------------------

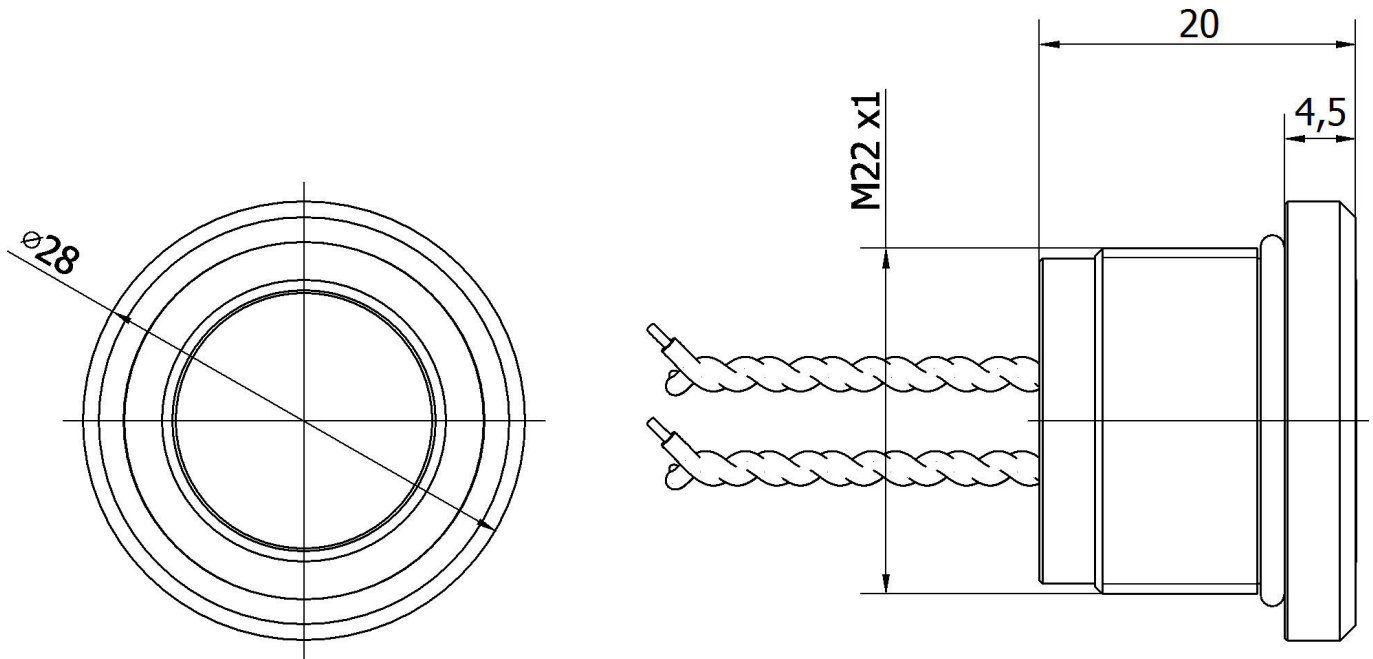
More

IPF Product Group	690 diverse sensors
packaging dimensions	105 x 43 x 43 mm
gross weight	58 g
Customs tariff number	85365019
WEEE number	40951076
POP-compliant	Yes
Reach-compliant	Yes
RoHS-compliant	Yes

Connection



Dimensional drawing



Extract accessories program

AY000141



Plastic sheath, Ø17mm, Inner diameter 10mm, -40-250°C, Glass fiber with silicone rubber, Short-term resistance to weld spatter 1200°C, Tensile strength 400N, Flexible, Flame retardant, yard good

You can find further accessories on our homepage



Installation

Mounting / installation may only be carried out by a qualified electrician!



Disposal

WEEE number according to § 6 para. 3 ElektroG: 40951076

Safety warnings

/ Before initial operation, please make sure to follow all safety instructions that may be provided in the product information.

/ Never use these devices in applications where the safety of a person depends on their functionality.