

## YN580021

### Inclination sensors • Inclination sensors

Inclination sensor, 58x64x36mm, -45...+45°, 9-30V DC, -25-80°C, 2 axes X+Y, 2x 4-20mA, M12 connector 5pin, aluminum, IP67



### LED display angle display 4 crosshair LEDs

Inclination sensors are used for absolute angle and position detection and measure the angle of an object in relation to the earth's gravity. The range of applications is diverse: e.g. on excavators, cranes and lifting platforms (accident protection), on wind turbines, telescopes or industrial robots, to name just a few examples. The integration of inclination sensors in a wide variety of applications is unproblematic, as no complex installations are required. Our sensors work according to the conductometric measuring principle and ensure high accuracy even with small angle changes.

#### Electrical features

Display	LED display   4 crosshair LEDs green
Type of analog output	4 - 20mA
Type of electrical connection	Connector M12
Short-circuit protection	Yes
No-load current	30 mA
Number of pins	5
Reverse polarity protection	Yes
Scanning interval	1000 Hz
Evaluation	X-axis and Y-axis
Operating voltage (DC)	9 - 30 V
Number of analog output channels	2
ardSOCA_ElektrischerAnschluss	M12 5-pin plug connector
ardTEEL_AbsoluteMessgenauigkeitGrad	0.1 °
ardTEEL_AbsoluteWiederholgenauigkeitGrad	0.03 °
ardTEEL_AufloesungGrad	0.003 °
ardTEME_LangzeitdriftProJahrInGrad	0.03 °
ardSOCA_Betriebsspannung	9-30VDC

**Mechanical features**

Width	58 mm
Height	36 mm
Cable infeed	radial
Length	64 mm
Inclination angle	-45 - 45 °
Degree of protection (IP)	IP67
Housing material	Aluminum
Ambient temperature	-25 - 80 °C
ardSOCA_Abmessungen	64x58x36mm

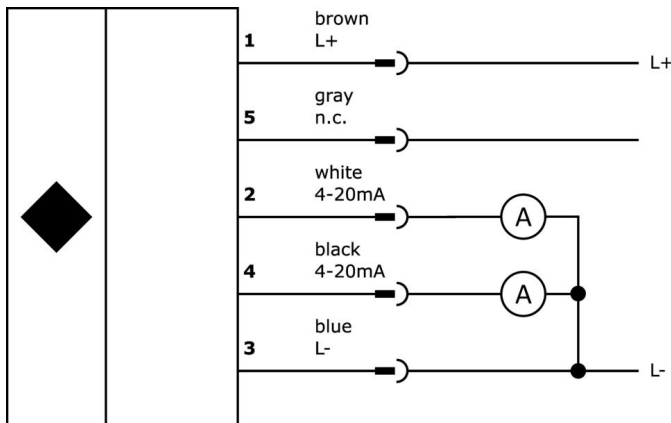
**Classification**

ETIM 8
--------

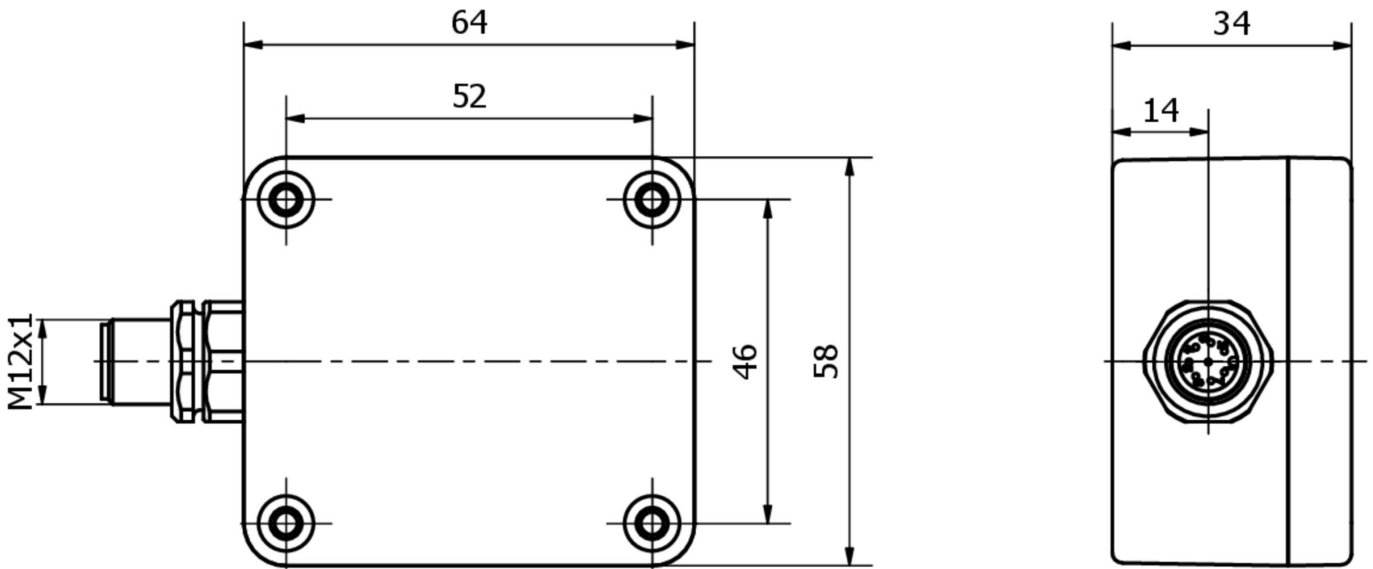
**More**

IPF Product Group	690 diverse sensors
packaging dimensions	125 x 70 x 40 mm
gross weight	220 g
Customs tariff number	90318020
WEEE number	40951076
Reach-compliant	Yes
RoHS-compliant	Yes

**Connection**



**Dimensional drawing**



**Extract accessories program**

**VK205321**

Connection cable, 2m, M12  
 Female (socket) 4pin Angular, Free conductor end, 4x0.34mm<sup>2</sup>, PUR (Polyurethane), Ø5.5mm, 250V, -25-90°C, IP67, Shielded, Suitable for trailing chain and torsion resistant, Oil and cooling lubricants, Welding area, Silicon...

**VK205325**

Connection cable, 2m, M12  
 Female (socket) 4pin Straight, Free conductor end, 4x0.34mm<sup>2</sup>, PUR (Polyurethane), Ø5.5mm, 250V, -25-90°C, IP67, Shielded, Suitable for trailing chain and torsion resistant, Oil and cooling lubricants, Welding area, Silico...

**VK205621**

Connection cable, 2m, M12  
 Female (socket) 5pin Angular, Free conductor end, 5x0.34mm<sup>2</sup>, PUR (Polyurethane), Ø6mm, 60V, -25-90°C, IP67, Shielded, Suitable for trailing chain and torsion resistant, Oil and cooling lubricants, Welding area, Silicone-free

**VK205625**

Connection cable, 2m, M12  
 Female (socket) 5pin Straight, Free conductor end, 5x0.34mm<sup>2</sup>, PUR (Polyurethane), Ø6mm, 60V, -25-90°C, IP67, Shielded, Suitable for trailing chain and torsion resistant, Oil and cooling lubricants, Welding area, Silicone-...

You can find further accessories on our homepage



**Installation**

Mounting / installation may only be carried out by a qualified electrician!



**Disposal**

WEEE number according to § 6 para. 3  
 ElektroG: 40951076

**Safety warnings**

/ Before initial operation, please make sure to follow all safety instructions that may be provided in the product information.

/ Never use these devices in applications where the safety of a person depends on their functionality.