

## YO220800

### Push button for integration • Optical

Built-in push-button, optical, M22x1, Ø30mm, 9-24V DC, -20-70°C, relay contact NO, blade terminal, USB, LED

including Connection wire, Sealing ring, Nut



### Switching function and illumination color programmable via software

This diffuse-reflections sensor for integration operates without contact. An integrated optical sensor registers the reflection of the hand and switches the output relay. The dimensions are identical to those of mechanical or capacitive switches, so that they can be replaced without any problems. The YO220800 can be parameterized in many ways with the aid of PC software. The switching distance can thus be set individually. Pick-up and drop-out delays are also programmable. All switching operations are displayed via the RGB LED, the colors are freely selectable. The LED display can light up or flash. To protect against faulty actuation, the contactor can also operate in proximity mode.

#### Electrical features

Display	LED display
Type of switching function	Normally open contact (NO)
Type of electrical connection	Plug connector blade receptacle
Type of switching output	Relay contact
Rated switching current	50 mA
Short-circuit protection	No
No-load current	50 mA
Number of pins	4
Reverse polarity protection	Yes
Operating voltage (DC)	9 - 24 V

#### Mechanical features

Design	Round
Thread length	22 mm
Thread pitch	1 mm
Hole diameter	22.5 mm
Maximum tightening torque	1 Nm
Mounting method	Counter thread
Front ring material	Plastic
Housing material	Plastic (ABS)
Thread dimension	M22
Ambient temperature	-20 - 70 °C

#### Other features

With front ring	Yes
-----------------	-----

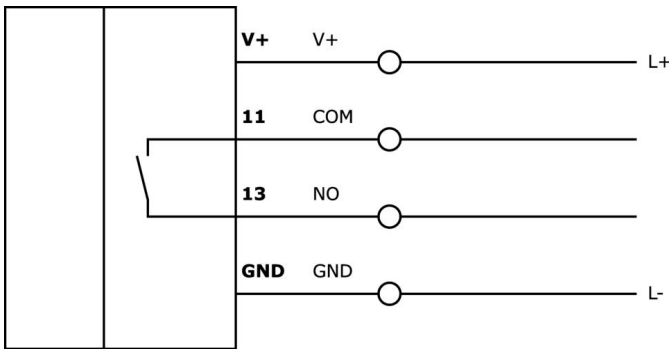
**Classification**

ETIM 8	EC001028 Pushbutton, complete unit
--------	------------------------------------

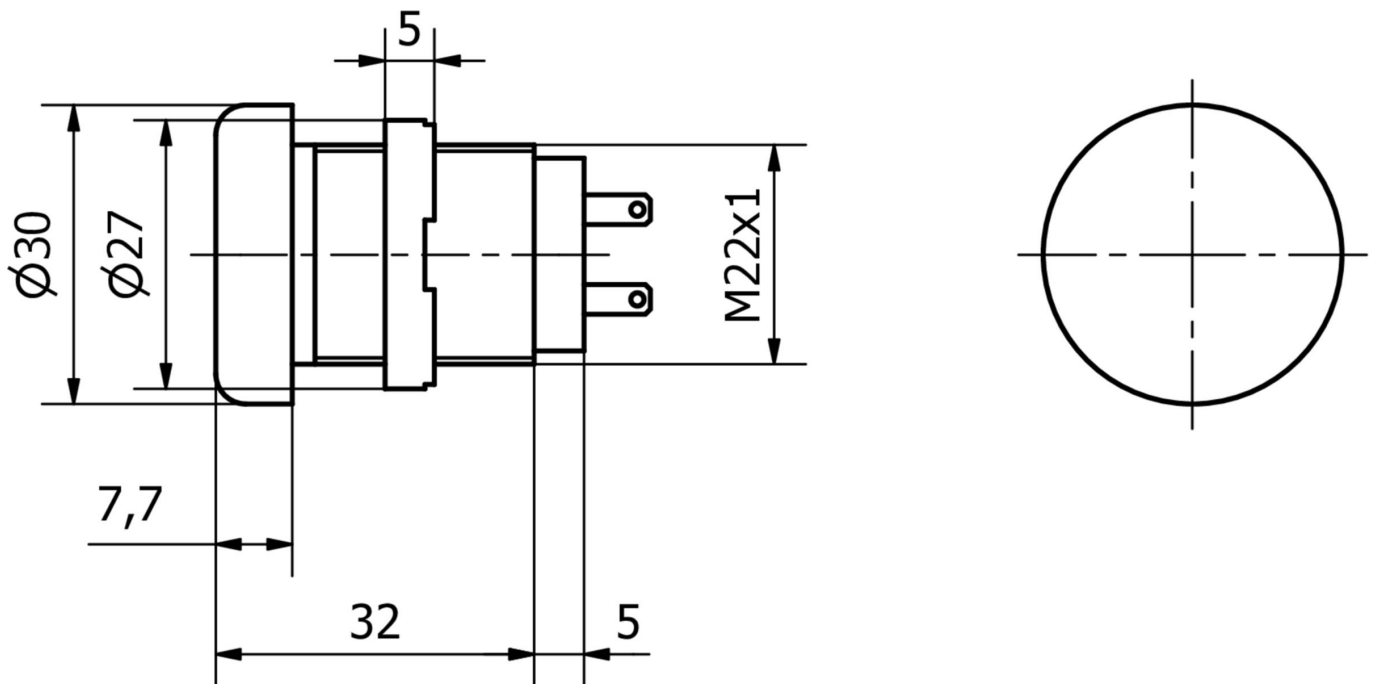
**More**

IPF Product Group	690 diverse sensors
packaging dimensions	165 x 100 x 40 mm
gross weight	40 g
Customs tariff number	85365019
WEEE number	40951076
Reach-compliant	Yes
RoHS-compliant	Yes

**Connection**



**Dimensional drawing**



---

**Extract accessories program****VK100U44**

Programming cable, 1m, USB-2.0-  
Micro-B Male (connector) 4pin  
Straight, USB-A Male (connector)  
4pin Straight, PVC

You can find further accessories on our homepage

**Installation**

Mounting / installation may only be carried out by a qualified electrician!

**Disposal**

WEEE number according to § 6 para. 3  
ElektroG: 40951076

---

**Safety warnings**

/ Before initial operation, please make sure to follow all safety instructions that may be provided in the product information.

/ Never use these devices in applications where the safety of a person depends on their functionality.

/ Any software, drivers or IODD files that may be required to operate your device can be downloaded free of charge from our homepage: [www.ipf-electronic.com](http://www.ipf-electronic.com)