

YT900001

Dew point measurement • Adsorption dryer

Dew point sensor, adsorption dryer -80...20°C, 123x30mm, G1/2", 10-36V DC, M12 plug connector 5-pin, stainless steel V2A, IP66, pressure resistance 50bar, 4-20mA, RS-485



Dew point sensor for adsorption dryers for measuring residual moisture in compressed air and non-corrosive gases.

Electrical features

Type of analog output	4 - 20mA
Type of electrical connection	Connector M12
Type of signal output	Three-wire
Measuring range, temperature	-80 - 20 °C
Number of pins	5
Supported communication interface	1x RS485
Operating voltage (DC)	10 - 30 V
Measuring accuracy	±1°C at 50 to -20°C ±2°C at -20 to -50°C ±3°C at -50 to -80°C
ardSOCA_ElektrischerAnschluss	M12 5-pin plug connector
ardSOCA_Betriebsspannung	10-30VDC

Mechanical features

Type of process connection	G1/2 inch
Design	Cylinder, screw-thread
Pressure resistance	50 bar
Diameter	30.2 mm
Storage temperature	-40 - 80 °C
Length	123.2 mm
Wrench size	27 mm
Degree of protection (IP)	IP66
Housing material	Zinc die-cast
Sensing element material	Stainless steel
Ambient temperature	-20 - 70 °C
ardSOCA_Abmessungen	Ø30.2mm, 123.2mm long

Other features

Reference medium / object	Air
---------------------------	-----

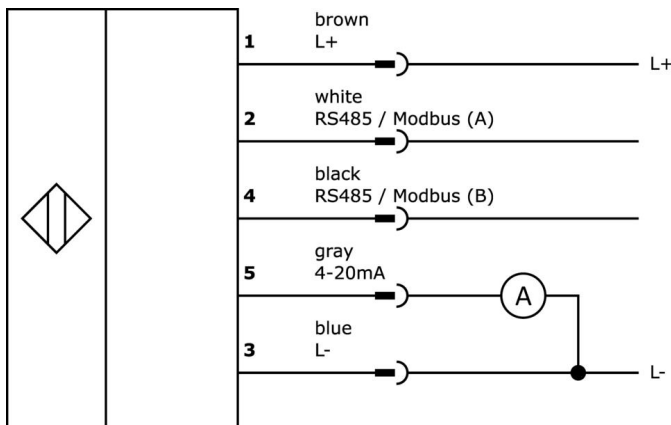
Classification

ETIM 8

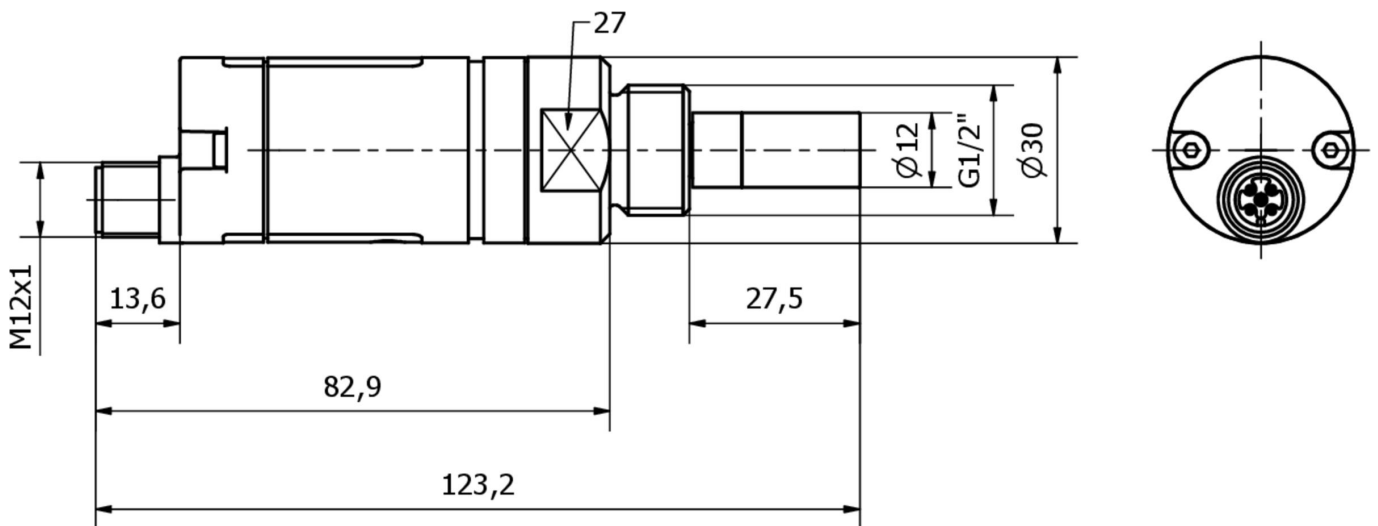
More

IPF Product Group	725 compressed air and leakage measurement
packaging dimensions	
gross weight	
Customs tariff number	90258040
WEEE number	40951076
Reach-compliant	Yes
RoHS-compliant	Yes

Connection



Dimensional drawing



Extract accessories program

VK205621



Connection cable, 2m, M12 socket
5-pin angular, free cable end, 5x0.
34mm², PUR (polyurethane),
Ø6mm, 60V, -25-90°C, IP67,
shielded, suitable for trailing chain
and torsion resistant, oils and
cooling lubricants, welding area,
silicone-free

VK205625



Connection cable, 2m, M12 socket
5-pin straight, free cable end, 5x0.
34mm², PUR (polyurethane),
Ø6mm, 60V, -25-90°C, IP67,
shielded, suitable for trailing chain
and torsion resistant, oils and
cooling lubricants, welding area,
silicone-free

AT000009



Accessories, measuring chamber
for dew point sensor, pressure
range 2...16 bar, plug nipple NW 7.
2

VY000025



RS485/USB connection cable, 5m,
interface adapter, USB-A
connector, M12 socket 5-pin
straight

You can find further accessories on our homepage



Installation

Mounting / installation may only be carried
out by a qualified electrician!



Disposal

WEEE number according to § 6 para. 3
ElektroG: 40951076

Safety warnings

/ Before initial operation, please make sure to follow all safety instructions that may be provided in the product information.

/ Never use these devices in applications where the safety of a person depends on their functionality.

/ Any software, drivers or IODD files that may be required to operate your device can be downloaded free of charge from our homepage: www.ipf-electronic.com