

YTTS0001

Dew point measurement • Adsorption dryer

Dew point measurement set for adsorption dryers, LED process display, 118x92x133mm, 230VAC, 2x relays, 4-20mA, terminal, IP44, plastic, programmable

including Connection cable



Dew point sensor for adsorption dryers for measuring residual moisture in compressed air and non-corrosive gases, including process display and measuring chamber.

Electrical features

| | |
|---|-----------------------------|
| Display | LED display |
| Type of switching function | Relay contact |
| Type of analog output | 4 - 20mA |
| Type of analog input | 4 - 20mA |
| Rated switching current | 3 mA |
| Setting procedure | Parameterization |
| Transducer power supply voltage | 24 V |
| Transducer power supply current | 100 mA |
| Type of transducer power supply voltage | DC |
| Switching voltage | 250 V |
| Resistance of current input | 100 Ohm |
| Operating voltage (AC 50Hz) | 230 V |
| Operating voltage (AC 60Hz) | 230 V |
| Number of alarm outputs | 2.00 |
| Number of analog output channels | 1 |
| Number of analog input channels | 1 |
| ardSOCA_Betriebsspannung | 230VAC(50Hz) 230VAC(50Hz) |

Mechanical features

| | |
|---------------------------|---------------------------|
| Width | 118 mm |
| Height | 133 mm |
| Storage temperature | -20 - 80 °C |
| Length | 92 mm |
| Mounting method | Surface mounted (plaster) |
| Degree of protection (IP) | IP44 |
| Housing material | Plastic |
| Ambient temperature | -10 - 60 °C |
| ardSOCA_Abmessungen | 92x118x133mm |

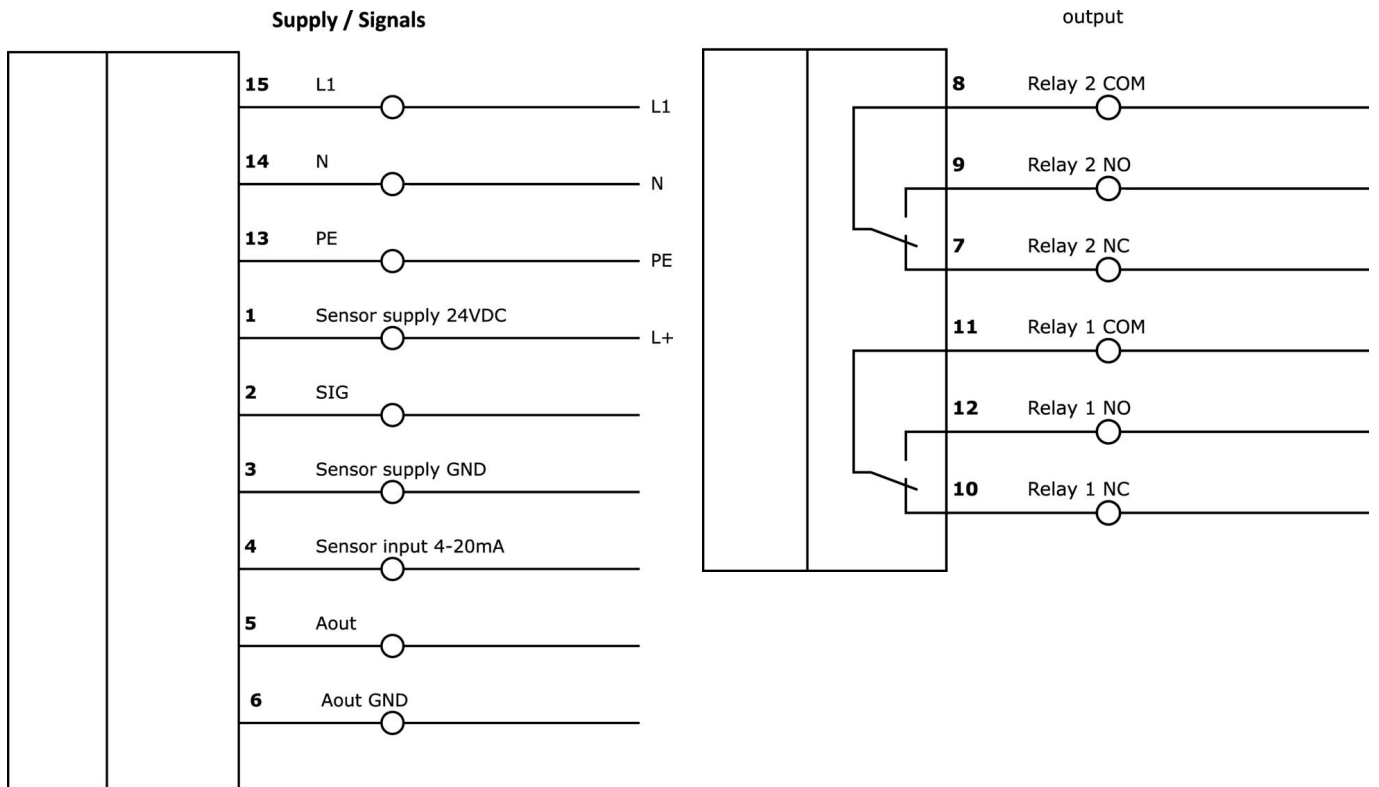
Classification

ETIM 8

More

| | |
|-----------------------|--|
| IPF Product Group | 725 compressed air and leakage measurement |
| packaging dimensions | |
| gross weight | |
| Customs tariff number | 90258040 |
| WEEE number | 40951076 |
| Reach-compliant | Yes |
| RoHS-compliant | Yes |

Connection



Installation

Mounting / installation may only be carried out by a qualified electrician!



Disposal

WEEE number according to § 6 para. 3 ElektroG: 40951076

Safety warnings

- / Before initial operation, please make sure to follow all safety instructions that may be provided in the product information.
- / Never use these devices in applications where the safety of a person depends on their functionality.