

YTTS0002

Dew point measurement • Refrigeration dryer

Dew point measurement set for refrigeration dryers, LED process display, 118x92x133mm, 230VAC, 2x relays, 4-20mA, terminal, IP44, plastic, programmable



Dew point sensor for refrigeration dryers for measuring residual moisture in compressed air and non-corrosive gases, including process display and measuring chamber.

Electrical features

Display	LED display
Type of switching function	Relay contact
Type of analog output	4 - 20mA
Type of analog input	4 - 20mA
Rated switching current	3 mA
Setting procedure	Parameterization
Transducer power supply voltage	24 V
Transducer power supply current	100 mA
Type of transducer power supply voltage	DC
Switching voltage	250 V
Resistance of current input	100 Ohm
Operating voltage (AC 50Hz)	230 V
Operating voltage (AC 60Hz)	230 V
Number of alarm outputs	2.00
Number of analog output channels	1
Number of analog input channels	1

Mechanical features

Width	118 mm
Height	133 mm
Storage temperature	-20 - 80 °C
Length	92 mm
Mounting method	Surface mounted (plaster)
Degree of protection (IP)	IP44
Housing material	Plastic
Ambient temperature	-10 - 60 °C

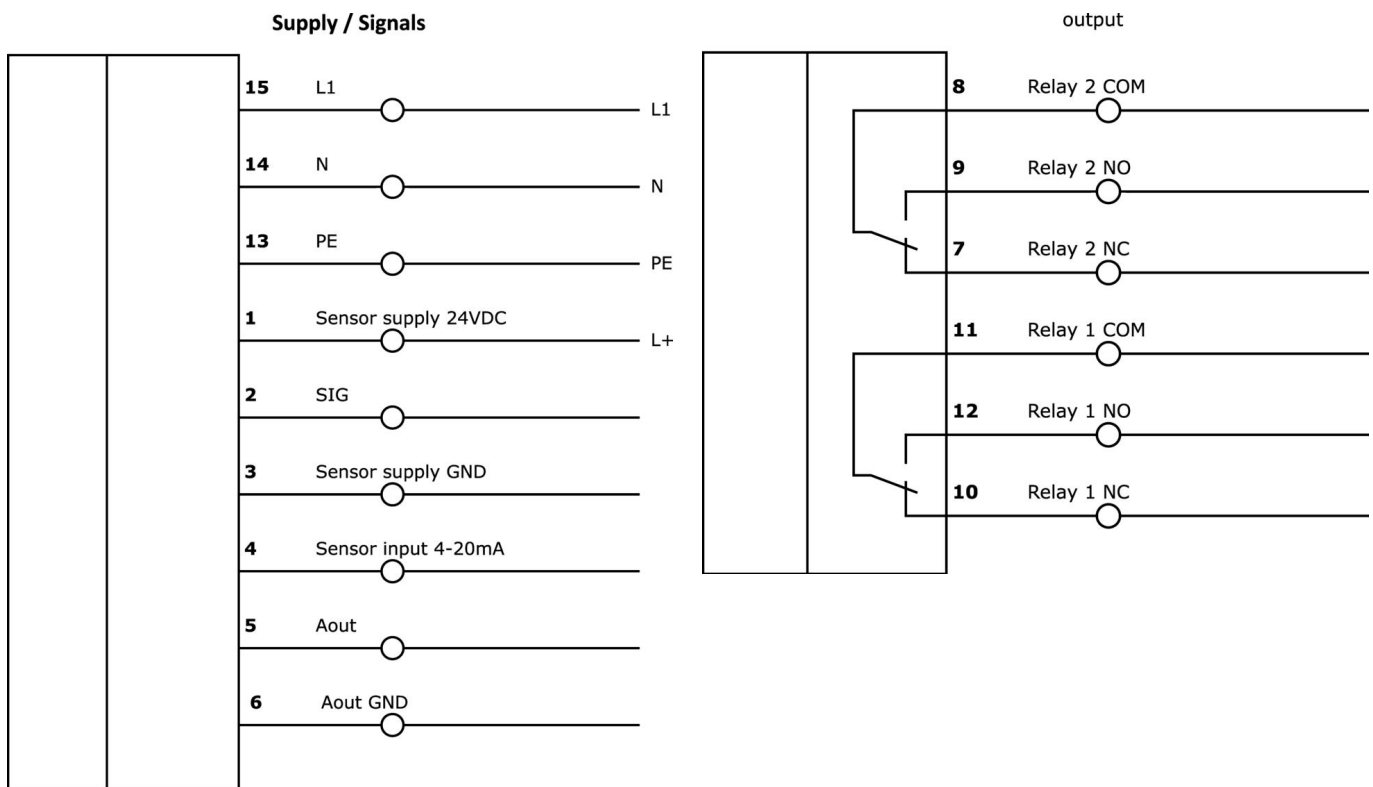
Classification

ETIM 8

More

IPF Product Group	725 compressed air and leakage measurement
packaging dimensions	255 x 210 x 210 mm
gross weight	1817 g
Customs tariff number	90258040
WEEE number	40951076
Reach-compliant	Yes
RoHS-compliant	Yes

Connection



Installation

Mounting / installation may only be carried out by a qualified electrician!



Disposal

WEEE number according to § 6 para. 3 ElektroG: 40951076

Safety warnings

/ Before initial operation, please make sure to follow all safety instructions that may be provided in the product information.

/ Never use these devices in applications where the safety of a person depends on their functionality.