

YY770003

Hygiene & infection protection • Room climate monitoring

Sensor pressure, temperature, humidity, 77x168x68mm, 18-30V DC, 4-20mA, M12 plug connector 5-pin, plastic PC, with display, parameterization, RS-485, Ethernet TCP

including Holder

- / Room temperature
- / TFT display



Absolute pressure Air humidity

Environmental conditions in the room - absolute pressure, room temperature, air humidity

Electrical features

Display	TFT display
Type of analog output	4 - 20mA
Type of electrical connection	Connector M12
Setting procedure	Parameterization
Coding of interface connection	X-coded
Short-circuit protection	Yes
Power consumption	6.5 VA
Measuring range, temperature	-20 - 60 °C
Measuring range pressure	0,3 - 1,1 bar
Number of pins	5
Reverse polarity protection	Yes
Type of plug-in connection, communication interface	Connector M12
Number of pins of interface connection	8
Supported communication interface	Ethernet Modbus RTU
Measuring accuracy of temperature	±1.0 K (0-60°C), ±1.25 K (-20-0°C)
Operating voltage (DC)	18 - 36 V
Number of analog output channels	1
ardSOCA_ElektrischerAnschluss	M12 5-pin plug connector
ardSOCA_Betriebsspannung	18-36VDC

Mechanical features

Design	Cuboid
Width	76.69 mm
Height	167.6 mm
Storage temperature	-40 - 80 °C
Length	67.57 mm
Degree of protection (IP)	IP65
Housing material	Plastic PC
Ambient temperature	-20 - 60 °C
ardSOCA_Abmessungen	67.57x76.69x167.6mm

Other features

Relative air humidity (non-condensing)	0 - 90 %
Measuring range relative humidity	5 - 95 %
Measuring accuracy of relative humidity	±3%
Measuring accuracy of pressure	±17mbar (20°C)
Version	Pressure, temperature and air humidity in the room

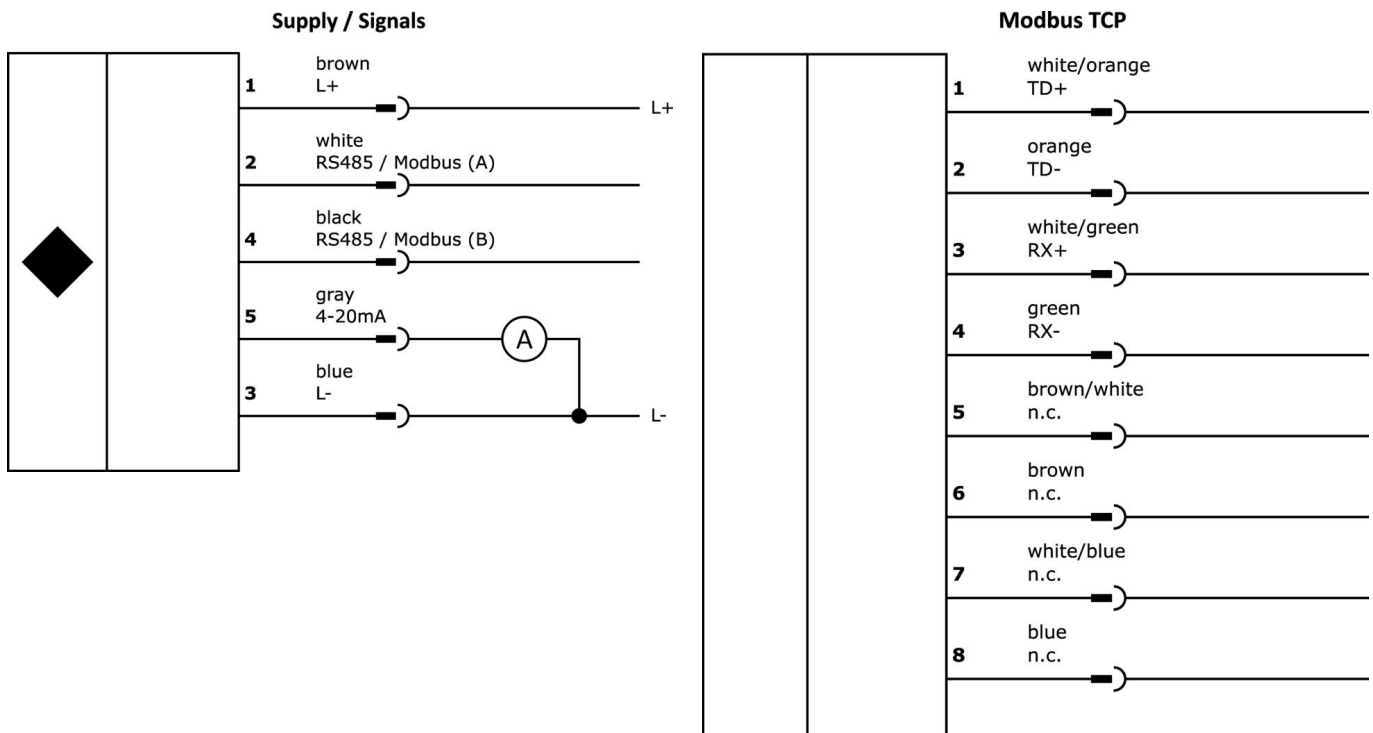
Classification

ETIM 8

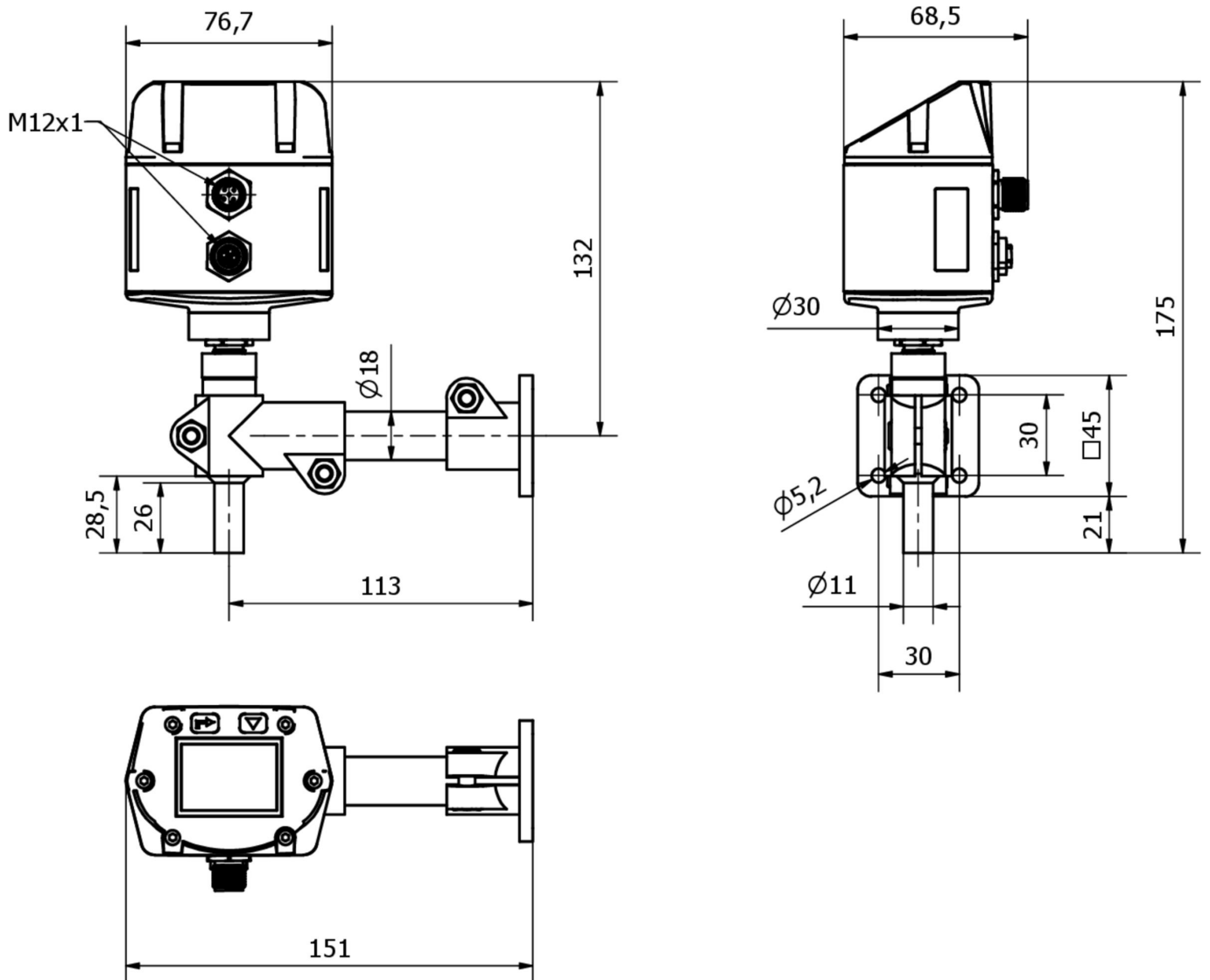
More

IPF Product Group	725 compressed air and leakage measurement
packaging dimensions	
gross weight	
Customs tariff number	90258040
WEEE number	40951076
Reach-compliant	Yes
RoHS-compliant	Yes

Connection



Dimensional drawing



Extract accessories program

VK205621



Connection cable, 2m, M12
Female (socket) 5pin Angular, Free conductor end, 5x0.34mm², PUR (Polyurethane), Ø6mm, 60V, -25-90°C, IP67, Shielded, Suitable for trailing chain and torsion resistant, Oil and cooling lubricants, Welding area, Silicone-free

VK205625



Connection cable, 2m, M12
Female (socket) 5pin Straight, Free conductor end, 5x0.34mm², PUR (Polyurethane), Ø6mm, 60V, -25-90°C, IP67, Shielded, Suitable for trailing chain and torsion resistant, Oil and cooling lubricants, Welding area, Silicone-...

VK003021



Cable socket, Angular, Suitable for self-assembly, Screw connection, Ø3-6.5mm, 4A, 60V, -25-90°C, M12 Female (socket) 5pin, IP67, PBT

VK003025



Cable socket, Straight, Suitable for self-assembly, Screw connection, Ø3-6.5mm, 4A, 60V, -25-90°C, M12 Female (socket) 5pin, IP67, PBT

VK108F28



Data cable, Connection cable, 1m, M12 Male (connector) 8pin Straight, X-coding, RJ45 Male (connector) 8pin Straight, 8x0.14mm², Category 5E, -40-75°C, TPU, Shielded

VKB08F28



Data cable, Connection cable, 20m, M12 Male (connector) 8pin Straight, X-coding, RJ45 Male (connector) 8pin Straight, 8x0.14mm², Category 5E, -40-75°C, TPU, Shielded

You can find further accessories on our homepage



Installation

Mounting / installation may only be carried out by a qualified electrician!



Disposal

WEEE number according to § 6 para. 3 ElektroG: 40951076

Safety warnings

/ Before initial operation, please make sure to follow all safety instructions that may be provided in the product information.

/ Never use these devices in applications where the safety of a person depends on their functionality.