

## ZI535480

### Time delay relay • Impulse / pause

Time delay relay – pulse/pause, 90x97x22mm, 0.05-1080000s, 12-240V AC, 12-240V DC, -40-60°C, 2x Relay contact Change-over contact, 14pin, IP20, Plastic, Potentiometer



#### Electrical features

Number of contacts as change-over contact	2
Number of switching outputs	2
Number of time ranges	8
Display	LED display
Type of switching function	Change-over contact (NO/NC)
Type of electrical connection	Clamped terminal connection
Type of switching output	Relay contact
Rated switching current	3000 mA
Readiness delay	80 ms
Setting procedure	Manual adjustment   Potentiometer (external)
Power consumption	3 VA
Number of pins	14
Relative repeat accuracy	0.5 %
Switching voltage	250 V
Voltage type for actuation	AC/DC
Time range	0,05 - 1080000 s
Decay time	10 ms
Operating voltage (AC 50Hz)	12 - 240 V
Operating voltage (DC)	12 - 240 V
Clock function, starting with pulse, variable	Yes
Clock function, starting with break, variable	Yes

#### Mechanical features

Width	22.5 mm
Height	90 mm
Length	97 mm
Maximum tightening torque	0.8 Nm
Mounting method	Top hat rail
Degree of protection (IP)	IP20
Housing material	Plastic
Ambient temperature	-40 - 60 °C

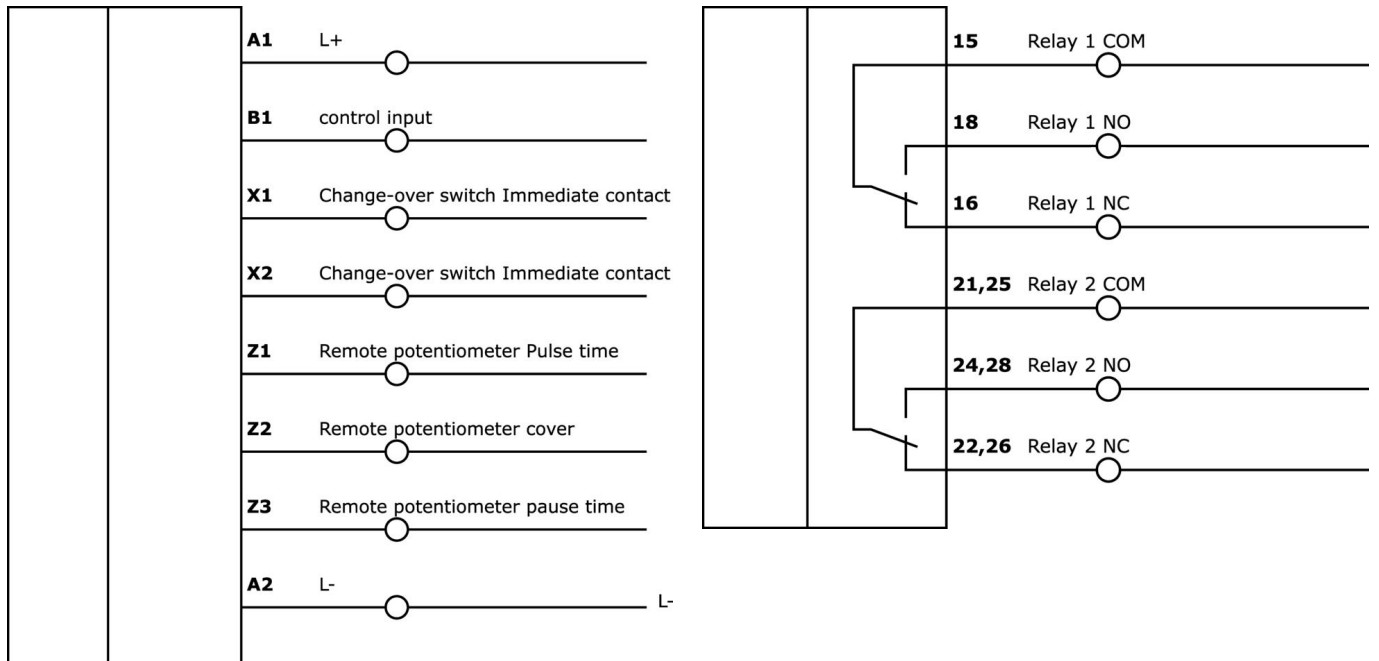
**Classification**

ETIM 8	EC001439 Time relay
--------	---------------------

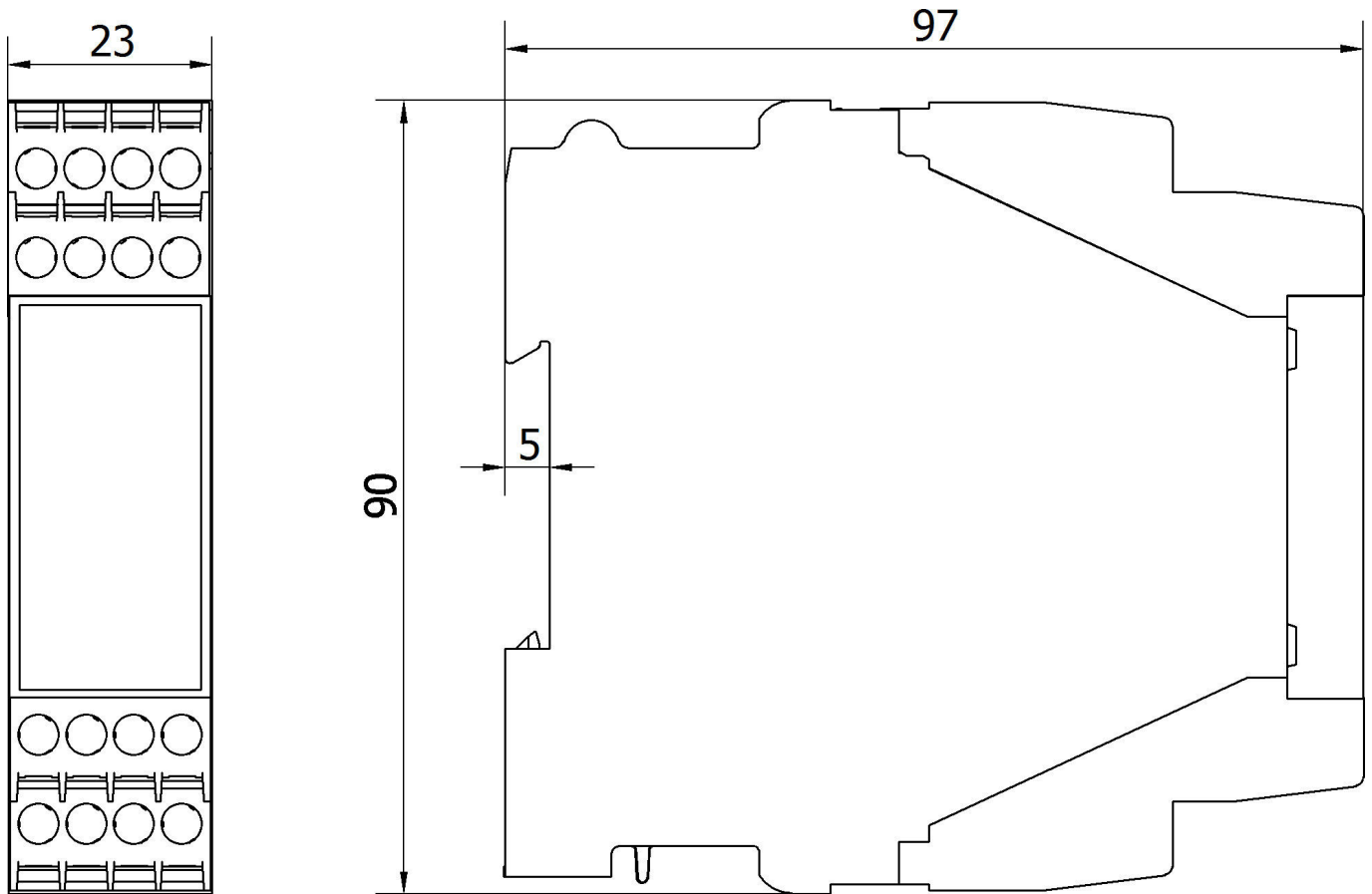
**More**

IPF Product Group	600 time delay relay
packaging dimensions	170 x 145 x 45 mm
gross weight	223 g
Customs tariff number	85364900
WEEE number	40951076
Reach-compliant	Yes
RoHS-compliant	Yes

**Connection**



**Dimensional drawing**



**Installation**

Mounting / installation may only be carried out by a qualified electrician!



**Disposal**

WEEE number according to § 6 para. 3  
ElektroG: 40951076

**Safety warnings**

/ Before initial operation, please make sure to follow all safety instructions that may be provided in the product information.

/ Never use these devices in applications where the safety of a person depends on their functionality.