

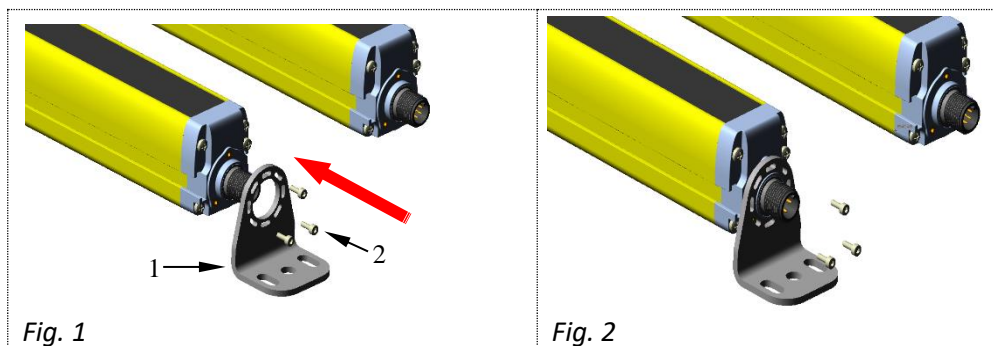
AO000243

Safety systems
Rotating bracket

Package contents:

1. TOP BOTTOM rotating brackets (4 pieces)
2. TCEI M2x6 UNI 5931 screws (12 pieces)

Place the rotating bracket near to the corresponding light curtain cap protrusion (Fig.1, Fig.2).



Orient the bracket according to the desired rotation angle, ensuring that the slots correspond to metal inserts on the cap. Use an allen key to tightly fix the screws (2).

